

# G-INS-M20-M68N-SNES-S - Cable gland



1424543

<https://www.phoenixcontact.com/us/products/1424543>

Please be informed that the data shown in this PDF document is generated from our online catalog. Please find the complete data in the user documentation. Our general terms of use for downloads are valid.



Cable gland, material for screw connection: Stainless steel 1.4305, application: Standard, external cable diameter 6 mm ... 12 mm, shielding: no, connecting thread: M20 x 1.5, color: silver-colored, with O-ring

## Commercial data

Item number	1424543
Packing unit	1 pc
Minimum order quantity	1 pc
Sales key	BF68
Product key	AF7DAX
GTIN	4055626374482
Weight per piece (including packing)	31.6 g
Weight per piece (excluding packing)	29.4 g
Customs tariff number	73269098
Country of origin	TR

# G-INS-M20-M68N-SNES-S - Cable gland



1424543

<https://www.phoenixcontact.com/us/products/1424543>

## Technical data

### Mounting

Assembly note	1) Mount screw connection support in the housing using the correct torque 2) Insert cable 3) Tighten union nut using the correct torque
---------------	---

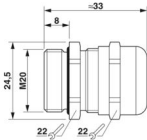
### Product properties

Product type	Cable screw gland
Application	Standard
No. of conductors	1
Manufacturer	BIMED
Manufacturer Designation	BMSC-02
Shielded	no
Execution of the strain relief	A

### Characteristics

Category of shock impact	2
Design, Strain relief	A

### Dimensions

Dimensional drawing	
Length	33 mm
Length of the connecting thread	8 mm
Hole diameter	20.1 mm ... 20.3 mm
Wrench size, union nut	22 mm
Wrench size, support	22 mm
Hexagon angular dimension	24.5 mm
Thread type connection side	M20 x 1.5
Thread pitch	1.5 mm

### Connection data

Tightening torque	8 Nm (Cap nut)
	5.5 Nm (Support sleeve)
	for UL514 B: union nut

### Material specifications

Color	Steel/stainless steel color
Material Compression ring	PA 6
Seal material O-ring	Perbunan

# G-INS-M20-M68N-SNES-S - Cable gland



1424543

<https://www.phoenixcontact.com/us/products/1424543>

Seal material Cable seal	CR
Material for screw connection	Stainless steel 1.4305

## Cable/line

External cable diameter Cable 1	6 mm ... 12 mm
External cable diameter	10 mm ... 12 mm (for UL 514 B)

## Environmental and real-life conditions

### Ambient conditions

Degree of protection	IP68 (5 bar, 30 min.)
	IP66
	IP69
Ambient temperature (operation)	-40 °C ... 100 °C (static)

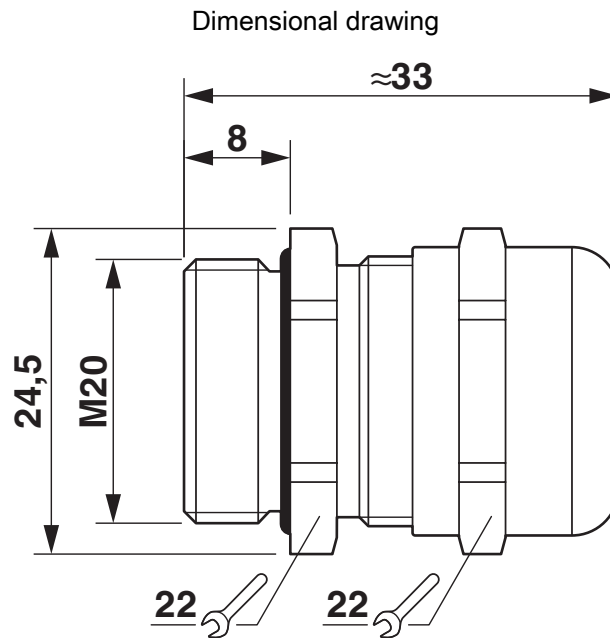
# G-INS-M20-M68N-SNES-S - Cable gland

1424543

<https://www.phoenixcontact.com/us/products/1424543>



## Drawings



Dimensional drawing

# G-INS-M20-M68N-SNES-S - Cable gland




1424543

<https://www.phoenixcontact.com/us/products/1424543>

## Approvals

To download certificates, visit the product detail page: <https://www.phoenixcontact.com/us/products/1424543>

 **UL Listed**  
Approval ID: E199260

 **cUL Listed**  
Approval ID: E199260

# G-INS-M20-M68N-SNES-S - Cable gland



1424543

<https://www.phoenixcontact.com/us/products/1424543>

## Classifications

### ECLASS

ECLASS-15.0	27140801
ECLASS-13.0	27140801

### ETIM

ETIM 10.0	EC000441
-----------	----------

### UNSPSC

UNSPSC 21.0	39121300
-------------	----------

# G-INS-M20-M68N-SNES-S - Cable gland



1424543

<https://www.phoenixcontact.com/us/products/1424543>

## Environmental product compliance

### EU RoHS

Fulfills EU RoHS substance requirements	Yes, No exemptions
---	--------------------

### China RoHS

Environment friendly use period (EFUP)	EFUP-E
	No hazardous substances above the limits

### EU REACH SVHC

REACH candidate substance (CAS No.)	No substance above 0.1 wt%
-------------------------------------	----------------------------

Phoenix Contact 2026 © - all rights reserved  
<https://www.phoenixcontact.com>

Phoenix Contact USA  
586 Fulling Mill Road  
Middletown, PA 17057, United States  
(+717) 944-1300  
[info@phoenixcon.com](mailto:info@phoenixcon.com)