

G-INVEN-M16-M67N-NNES-S - Cable gland



1424539

<https://www.phoenixcontact.com/us/products/1424539>

Please be informed that the data shown in this PDF document is generated from our online catalog. Please find the complete data in the user documentation. Our general terms of use for downloads are valid.



Cable gland, material for screw connection: Brass, nickel-plated, application: Standard, external cable diameter 4 mm ... 7 mm, shielding: no, connecting thread: M16 x 1.5, color: silver-colored, with pressure compensation element and O-ring

Product description

Cable gland with integrated pressure compensation element. Prevents low pressure forming in the housing. Membrane: resistant to water and dirt

Your advantages

- Reduces the formation of condensation
- Screw connection with integrated pressure compensation element

Commercial data

Item number	1424539
Packing unit	1 pc
Minimum order quantity	1 pc
Sales key	BF68
Product key	AF7DAX
GTIN	4055626374444
Weight per piece (including packing)	29.2 g
Weight per piece (excluding packing)	26.8 g
Customs tariff number	74198090
Country of origin	TR

G-INVEN-M16-M67N-NNES-S - Cable gland

1424539

<https://www.phoenixcontact.com/us/products/1424539>

Technical data

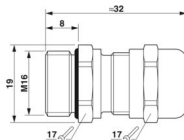
Product properties

Product type	Cable screw gland
Application	Standard
No. of conductors	1
Manufacturer	BIMED
Manufacturer Designation	BMBCVG-01
Air flow rate	25 (l/h at a pressure differential of 70 mbar)
Shielded	no
Execution of the strain relief	A

Characteristics

Category of shock impact	5
Design, Strain relief	A

Dimensions

Dimensional drawing	
Length	32 mm
Length of the connecting thread	5 mm
Hole diameter	16.1 mm ... 16.2 mm
Wrench size, union nut	17 mm
Wrench size, support	17 mm
Thread type connection side	M16 x 1.5
Thread pitch	1.5 mm

Connection data

Tightening torque	6 Nm \pm 0.3 Nm (Cap nut)
	4 Nm (Support sleeve)

Material specifications

Color	brass color
Material	PTFE (The material specification refers to the ventilation membrane)
Seal material O-ring	NBR
Seal material Cable seal	CR
Material for screw connection	Brass, nickel-plated

Cable/line

External cable diameter Cable 1	4 mm ... 7 mm
---------------------------------	---------------

G-INVEN-M16-M67N-NNES-S - Cable gland



1424539

<https://www.phoenixcontact.com/us/products/1424539>

External cable diameter	4 mm ... 8 mm (for UL 514 B)
Halogen-free	no

Environmental and real-life conditions

Ambient conditions

Degree of protection	IP67
	IP66
Ambient temperature (operation)	-20 °C ... 100 °C (static)

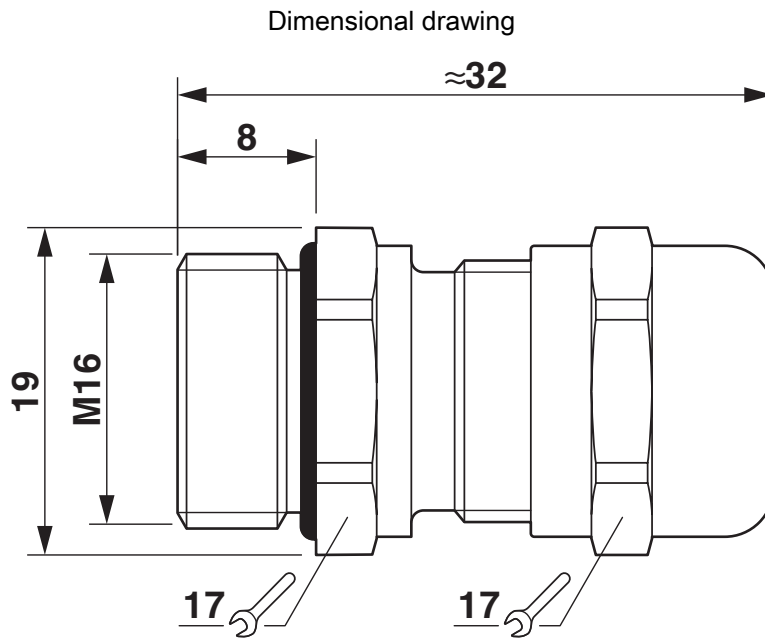
G-INVEN-M16-M67N-NNES-S - Cable gland



1424539

<https://www.phoenixcontact.com/us/products/1424539>

Drawings



Dimensional drawing

G-INVEN-M16-M67N-NNES-S - Cable gland



1424539

<https://www.phoenixcontact.com/us/products/1424539>

Approvals

To download certificates, visit the product detail page: <https://www.phoenixcontact.com/us/products/1424539>

DNV

Approval ID: TAE00003WY



cUL Recognized

Approval ID: E199260



UL Recognized

Approval ID: E199260

G-INVEN-M16-M67N-NNES-S - Cable gland



1424539

<https://www.phoenixcontact.com/us/products/1424539>

Classifications

ECLASS

ECLASS-13.0	27140801
ECLASS-15.0	27140801

ETIM

ETIM 10.0	EC000441
-----------	----------

UNSPSC

UNSPSC 21.0	39121300
-------------	----------

1424539

<https://www.phoenixcontact.com/us/products/1424539>

Environmental product compliance

EU RoHS

Fulfills EU RoHS substance requirements	Yes
Exemption	6(c)

China RoHS

Environment friendly use period (EFUP)	EFUP-50
	An article-related China RoHS declaration table can be found in the download area for the respective article under "Manufacturer declaration". For all articles with EFUP-E, no China RoHS declaration table issued and required.

EU REACH SVHC

REACH candidate substance (CAS No.)	Lead(CAS: 7439-92-1)
SCIP	1c6d39cb-91df-42fe-9fce-cfdb2d651e7f

Phoenix Contact 2026 © - all rights reserved

<https://www.phoenixcontact.com>

Phoenix Contact USA
586 Fulling Mill Road
Middletown, PA 17057, United States
(+717) 944-1300
info@phoenixcon.com