

# G-INVEN-M12-M67N-PNES-LG - Cable gland



1424532

<https://www.phoenixcontact.com/us/products/1424532>

Please be informed that the data shown in this PDF document is generated from our online catalog. Please find the complete data in the user documentation. Our general terms of use for downloads are valid.



Cable gland, material for screw connection: PA, application: Standard, external cable diameter 4 mm ... 7 mm, shielding: no, connecting thread: M12 x 1.5, color: lightgray RAL 7035, with pressure compensation element and flat gasket

## Product description

Cable gland with integrated pressure compensation element. Prevents low pressure forming in the housing. Membrane: resistant to water and dirt

## Your advantages

- Reduces the formation of condensation
- Screw connection with integrated pressure compensation element
- Plastic material conforms to UL 746C f1

## Commercial data

Item number	1424532
Packing unit	5 pc
Minimum order quantity	1 pc
Sales key	BF68
Product key	AF7DCX
GTIN	4055626374376
Weight per piece (including packing)	6.61 g
Weight per piece (excluding packing)	6.61 g
Customs tariff number	39269097
Country of origin	TR

# G-INVEN-M12-M67N-PNES-LG - Cable gland



1424532

<https://www.phoenixcontact.com/us/products/1424532>

## Technical data

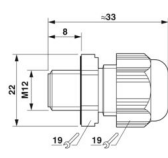
### Product properties

Product type	Cable screw gland
Application	Standard
No. of conductors	1
Manufacturer	BIMED
Manufacturer Designation	BMVG-1S
Air flow rate	25 (l/h at a pressure differential of 70 mbar)
Shielded	no
Execution of the strain relief	A

### Characteristics

Category of shock impact	5
Design, Strain relief	A

### Dimensions

Dimensional drawing	
Length	33 mm
Length of the connecting thread	8 mm
Hole diameter	12.1 mm ... 12.2 mm
Wrench size, union nut	19 mm
Wrench size, support	19 mm
Thread type connection side	M12 x 1.5
Thread pitch	1.5 mm

### Connection data

Tightening torque	2 Nm $\pm$ 0.2 Nm (Cap nut)
	1.5 Nm (Support sleeve)

### Material specifications

Color	light gray (RAL 7035)
Material	PTFE (The material specification refers to the ventilation membrane)
Flammability rating according to UL 94	V2
Seal material Flat gasket	NBR
Seal material Cable seal	CR
Material for screw connection	PA

### Cable/line

# G-INVEN-M12-M67N-PNES-LG - Cable gland



1424532

<https://www.phoenixcontact.com/us/products/1424532>

External cable diameter Cable 1	4 mm ... 7 mm
External cable diameter	4 mm ... 8 mm (for UL 514 B)
Halogen-free	no

## Environmental and real-life conditions

### Ambient conditions

Degree of protection	IP67
	IP66
Enclosure rating (NEMA)	1
	4
	4X
	12
	13
Ambient temperature (operation)	-20 °C ... 100 °C (static)

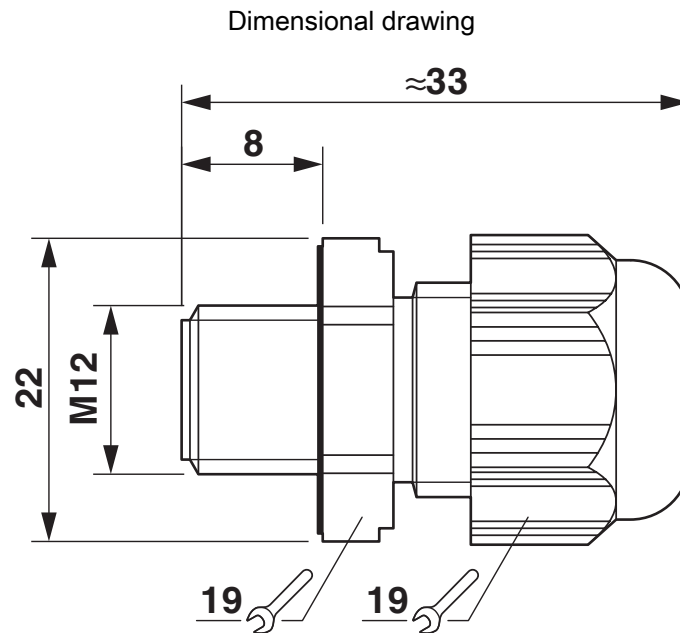
# G-INVEN-M12-M67N-PNES-LG - Cable gland



1424532

<https://www.phoenixcontact.com/us/products/1424532>

## Drawings



Dimensional drawing

# G-INVEN-M12-M67N-PNES-LG - Cable gland



1424532

<https://www.phoenixcontact.com/us/products/1424532>

## Approvals

🔗 To download certificates, visit the product detail page: <https://www.phoenixcontact.com/us/products/1424532>

**DNV**

Approval ID: TAE00003WX



**cUL Recognized**

Approval ID: E199260



**UL Recognized**

Approval ID: E199260

# G-INVEN-M12-M67N-PNES-LG - Cable gland



1424532

<https://www.phoenixcontact.com/us/products/1424532>

## Classifications

### ECLASS

ECLASS-13.0	27140801
ECLASS-15.0	27140801

### ETIM

ETIM 10.0	EC000441
-----------	----------

### UNSPSC

UNSPSC 21.0	39121300
-------------	----------

# G-INVEN-M12-M67N-PNES-LG - Cable gland



1424532

<https://www.phoenixcontact.com/us/products/1424532>

## Environmental product compliance

### EU RoHS

Fulfills EU RoHS substance requirements	Yes, No exemptions
---	--------------------

### China RoHS

Environment friendly use period (EFUP)	EFUP-E
	No hazardous substances above the limits

### EU REACH SVHC

REACH candidate substance (CAS No.)	No substance above 0.1 wt%
-------------------------------------	----------------------------

Phoenix Contact 2026 © - all rights reserved  
<https://www.phoenixcontact.com>

Phoenix Contact USA  
586 Fulling Mill Road  
Middletown, PA 17057, United States  
(+717) 944-1300  
[info@phoenixcon.com](mailto:info@phoenixcon.com)