

# G-INS-M40-S68N-NNES-S - Cable gland

1424529

<https://www.phoenixcontact.com/us/products/1424529>

Please be informed that the data shown in this PDF document is generated from our online catalog. Please find the complete data in the user documentation. Our general terms of use for downloads are valid.



Cable gland, material for screw connection: Brass, nickel-plated, application: Standard, external cable diameter 18 mm ... 25 mm, shielding: no, connecting thread: M40 x 1.5, color: silver-colored, with O-ring

## Commercial data

|                                      |               |
|--------------------------------------|---------------|
| Item number                          | 1424529       |
| Packing unit                         | 5 pc          |
| Minimum order quantity               | 1 pc          |
| Sales key                            | BF68          |
| Product key                          | AF7DAX        |
| GTIN                                 | 4055626374345 |
| Weight per piece (including packing) | 158.96 g      |
| Weight per piece (excluding packing) | 158.96 g      |
| Customs tariff number                | 74198090      |
| Country of origin                    | TR            |

# G-INS-M40-S68N-NNES-S - Cable gland



1424529

<https://www.phoenixcontact.com/us/products/1424529>

## Technical data

### Mounting

|               |   |
|---------------|---|
| Assembly note | 1) Mount screw connection support in the housing using the correct torque 2) Insert cable 3) Tighten union nut using the correct torque |
|---------------|---|

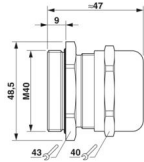
### Product properties

|                                |                   |
|--------------------------------|-------------------|
| Product type                   | Cable screw gland |
| Application                    | Standard          |
| No. of conductors              | 1                 |
| Manufacturer                   | BIMED             |
| Manufacturer Designation       | BMBC-05           |
| Shielded                       | no                |
| Execution of the strain relief | A                 |

### Characteristics

|                          |   |
|--------------------------|---|
| Category of shock impact | 7 |
| Design, Strain relief    | A |

### Dimensions

|                                 |  |
|---------------------------------|--|
| Dimensional drawing             |  |
| Length                          | 47 mm  |
| Length of the connecting thread | 9 mm   |
| Hole diameter                   | 40.1 mm ... 40.3 mm  |
| Wrench size, union nut          | 40 mm  |
| Wrench size, support            | 43 mm  |
| Hexagon angular dimension       | 48.4 mm  |
| Thread type connection side     | M40 x 1.5  |
| Thread pitch                    | 1.5 mm   |

### Connection data

|                   |                            |
|-------------------|----------------------------|
| Tightening torque | 30 Nm $\pm$ 1 Nm (Cap nut) |
|                   | 12 Nm (Support sleeve)     |

### Material specifications

|                           |             |
|---------------------------|-------------|
| Color                     | brass color |
| Material Compression ring | PA 6        |
| Seal material O-ring      | Perbunan    |
| Seal material Cable seal  | CR          |

# G-INS-M40-S68N-NNES-S - Cable gland



1424529

<https://www.phoenixcontact.com/us/products/1424529>

|                               |                      |
|-------------------------------|----------------------|
| Material for screw connection | Brass, nickel-plated |
|-------------------------------|----------------------|

## Cable/line

|                                 |                                |
|---------------------------------|--------------------------------|
| External cable diameter Cable 1 | 18 mm ... 25 mm                |
| External cable diameter         | 18 mm ... 25 mm (for UL 514 B) |

## Environmental and real-life conditions

### Ambient conditions

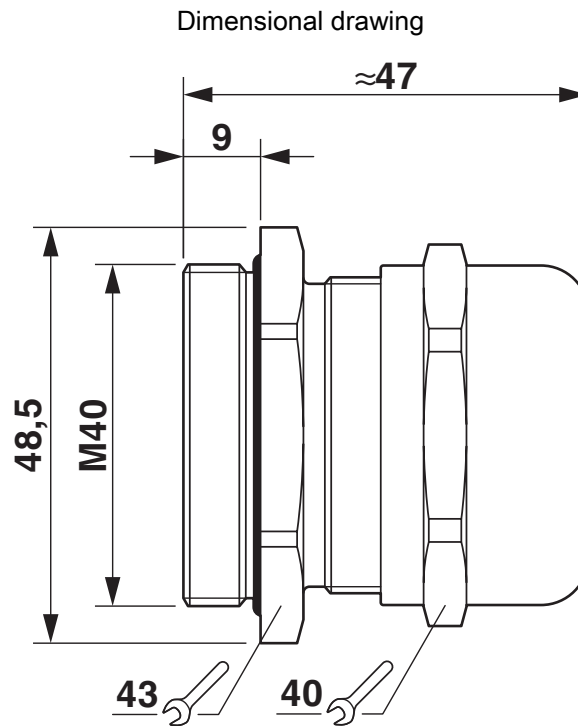
|                                 |                                 |
|---------------------------------|---------------------------------|
| Degree of protection            | IP66                            |
|                                 | IP68 (5 bar, 30 min.)           |
|                                 | IP69 (DIN EN 60529 / IEC 60529) |
| Ambient temperature (operation) | -40 °C ... 100 °C (static)      |

# G-INS-M40-S68N-NNES-S - Cable gland

1424529

<https://www.phoenixcontact.com/us/products/1424529>

## Drawings



Dimensional drawing

# G-INS-M40-S68N-NNES-S - Cable gland



1424529

<https://www.phoenixcontact.com/us/products/1424529>

## Approvals

To download certificates, visit the product detail page: <https://www.phoenixcontact.com/us/products/1424529>

### DNV

Approval ID: TAE00003WY



### UL Listed

Approval ID: E199260



### cUL Listed

Approval ID: E199260

# G-INS-M40-S68N-NNES-S - Cable gland



1424529

<https://www.phoenixcontact.com/us/products/1424529>

## Classifications

### ECLASS

|             |          |
|-------------|----------|
| ECLASS-13.0 | 27140801 |
| ECLASS-15.0 | 27140801 |

### ETIM

|           |          |
|-----------|----------|
| ETIM 10.0 | EC000441 |
|-----------|----------|

### UNSPSC

|             |          |
|-------------|----------|
| UNSPSC 21.0 | 39121300 |
|-------------|----------|

# G-INS-M40-S68N-NNES-S - Cable gland



1424529

<https://www.phoenixcontact.com/us/products/1424529>

## Environmental product compliance

### EU RoHS

|   |      |
|---|------|
| Fulfills EU RoHS substance requirements | Yes  |
| Exemption                               | 6(c) |

### China RoHS

|  |   |
|--|---|
| Environment friendly use period (EFUP) | EFUP-50   |
|  | An article-related China RoHS declaration table can be found in the download area for the respective article under "Manufacturer declaration". For all articles with EFUP-E, no China RoHS declaration table issued and required. |

### EU REACH SVHC

|                                     |                                      |
|-------------------------------------|--------------------------------------|
| REACH candidate substance (CAS No.) | Lead(CAS: 7439-92-1)                 |
| SCIP                                | 4bc6e4d5-9ddd-42a2-bb4a-1b5f67fb6d9c |

Phoenix Contact 2026 © - all rights reserved

<https://www.phoenixcontact.com>

Phoenix Contact USA  
586 Fulling Mill Road  
Middletown, PA 17057, United States  
(+717) 944-1300  
[info@phoenixcon.com](mailto:info@phoenixcon.com)