

G-INS-M16-M68L-PEPDS-LG - Cable gland



1424514

<https://www.phoenixcontact.com/us/products/1424514>

Please be informed that the data shown in this PDF document is generated from our online catalog. Please find the complete data in the user documentation. Our general terms of use for downloads are valid.



Cable gland, material for screw connection: PA, application: Standard, external cable diameter 4.5 mm ... 10 mm, shielding: no, connecting thread: M16 x 1.5, color: lightgray RAL 7035

Commercial data

Item number	1424514
Packing unit	10 pc
Minimum order quantity	10 pc
Sales key	BF68
Product key	AF7DCX
GTIN	4055626374192
Weight per piece (including packing)	10.36 g
Weight per piece (excluding packing)	10.36 g
Customs tariff number	39269097
Country of origin	DE

G-INS-M16-M68L-PEPDS-LG - Cable gland



1424514

<https://www.phoenixcontact.com/us/products/1424514>

Technical data

Mounting

Assembly note	1) Mount screw connection support in the housing using the correct torque 2) Insert cable 3) Tighten union nut using the correct torque
---------------	---

Product properties

Product type	Cable screw gland
Application	Standard
No. of conductors	1
Manufacturer	WISKA
Manufacturer Designation	ESKV-L 16
Shielded	no
Execution of the strain relief	A

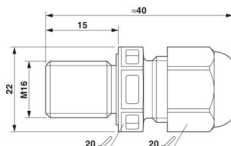
Ex data

Suited for EX-applications	no
----------------------------	----

Characteristics

Category of shock impact	2
Design, Strain relief	A

Dimensions

Dimensional drawing	
Length	37 mm
Length of the connecting thread	15 mm
Hole diameter	16.1 mm ... 16.2 mm
Wrench size, union nut	20 mm
Wrench size, support	20 mm
Hexagon angular dimension	22 mm
Thread type connection side	M16 x 1.5
Thread pitch	1.5 mm

Connection data

Tightening torque	1.5 Nm (Union nut)
	3.5 Nm (Support sleeve)

Material specifications

Color	light gray (RAL 7035)
-------	-----------------------

G-INS-M16-M68L-PEPDS-LG - Cable gland



1424514

<https://www.phoenixcontact.com/us/products/1424514>

Seal material Cable seal	EPDM
Material for screw connection	PA

Cable/line

External cable diameter Cable 1	4.5 mm ... 10 mm
External cable diameter	6 mm ... 8.6 mm (UL)

Environmental and real-life conditions

Ambient conditions

Degree of protection	IP68 (5 bar / 0.5 h)
	IP69
Ambient temperature (operation)	-40 °C ... 100 °C (static)

G-INS-M16-M68L-PEPDS-LG - Cable gland

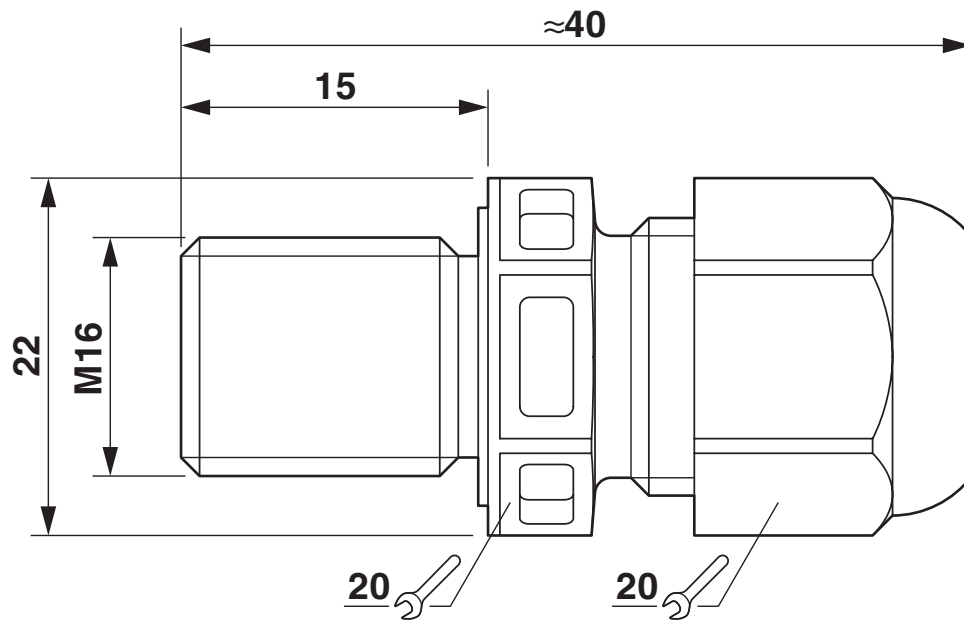


1424514

<https://www.phoenixcontact.com/us/products/1424514>

Drawings

Dimensional drawing



G-INS-M16-M68L-PEPDS-LG - Cable gland



1424514

<https://www.phoenixcontact.com/us/products/1424514>

Approvals

To download certificates, visit the product detail page: <https://www.phoenixcontact.com/us/products/1424514>



cUL Recognized
Approval ID: E179850



UL Recognized
Approval ID: E179850

G-INS-M16-M68L-PEPDS-LG - Cable gland



1424514

<https://www.phoenixcontact.com/us/products/1424514>

Classifications

ECLASS

ECLASS-13.0	27140801
ECLASS-15.0	27140801

ETIM

ETIM 10.0	EC000441
-----------	----------

UNSPSC

UNSPSC 21.0	39121300
-------------	----------

G-INS-M16-M68L-PEPDS-LG - Cable gland



1424514

<https://www.phoenixcontact.com/us/products/1424514>

Environmental product compliance

EU RoHS

Fulfills EU RoHS substance requirements	Yes, No exemptions
---	--------------------

China RoHS

Environment friendly use period (EFUP)	EFUP-E
	No hazardous substances above the limits

EU REACH SVHC

REACH candidate substance (CAS No.)	No substance above 0.1 wt%
-------------------------------------	----------------------------

Phoenix Contact 2026 © - all rights reserved
<https://www.phoenixcontact.com>

Phoenix Contact USA
586 Fulling Mill Road
Middletown, PA 17057, United States
(+717) 944-1300
info@phoenixcon.com