

# G-ESIS-M25-S68N-PEPDS-BK - Cable gland



1424468

<https://www.phoenixcontact.com/us/products/1424468>

Please be informed that the data shown in this PDF document is generated from our online catalog. Please find the complete data in the user documentation. Our general terms of use for downloads are valid.



Cable gland, material for screw connection: PA, application: Ex, external cable diameter 10 mm .  
.. 17 mm, shielding: no, connecting thread: M25 x 1.5, color: jet black RAL 9005, with flat gasket

## Product description

Cable gland, with flat gasket

## Your advantages

- Glow-wire test: 750°C
- Weatherproof sealing material
- Halogen-free

## Commercial data

Item number	1424468
Packing unit	10 pc
Minimum order quantity	10 pc
Sales key	BF68
Product key	AF7DDX
GTIN	4055626375588
Weight per piece (including packing)	27.3 g
Weight per piece (excluding packing)	21.32 g
Customs tariff number	39269097
Country of origin	DE

# G-ESIS-M25-S68N-PEPDS-BK - Cable gland



1424468

<https://www.phoenixcontact.com/us/products/1424468>

## Technical data

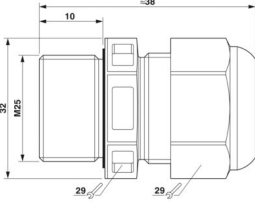
### Product properties

Product type	Cable screw gland
Application	Ex
No. of conductors	1
Manufacturer	WISKA
Manufacturer Designation	ESKE/1-e 25
Shielded	no

### Ex data

Cable types that can be used	for unarmored cables
Suited for EX-applications	yes

### Dimensions

Dimensional drawing	
Length	38 mm
Length of the connecting thread	10 mm
Hole diameter	25.1 mm ... 25.3 mm
Wrench size, union nut	29 mm
Wrench size, support	29 mm
Hexagon angular dimension	33 mm
Thread type connection side	M25 x 1.5
Thread pitch	1.5 mm

### Connection data

Tightening torque	3 Nm (Support sleeve)
-------------------	-----------------------

### Material specifications

Color	black (RAL 9005)
Material Screw connection	PA (Screw connection, halogen-free)
Seal material Flat gasket	EPDM
Glow wire ignition temperature GWIT according to EN 60695-2-13	750
Material for screw connection	PA

### Cable/line

External cable diameter	10 mm ... 17 mm
-------------------------	-----------------

# G-ESIS-M25-S68N-PEPDS-BK - Cable gland



1424468

<https://www.phoenixcontact.com/us/products/1424468>

Halogen-free	yes
--------------	-----

## Environmental and real-life conditions

### Ambient conditions

Degree of protection	IP66
	IP68 (5 bar / 0.5 h)
Ambient temperature (operation)	-40 °C ... 75 °C (static)

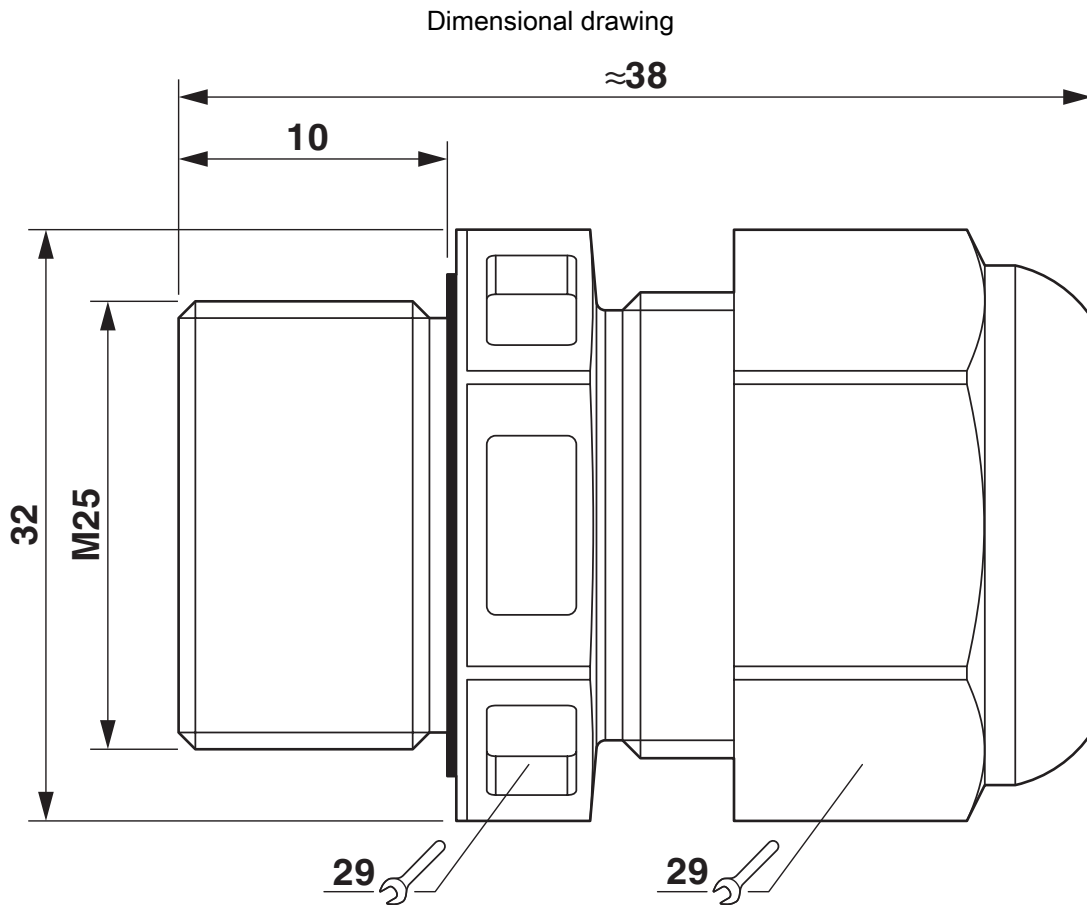
# G-ESIS-M25-S68N-PEPDS-BK - Cable gland



1424468

<https://www.phoenixcontact.com/us/products/1424468>

## Drawings



Dimensional drawing

# G-ESIS-M25-S68N-PEPDS-BK - Cable gland



1424468

<https://www.phoenixcontact.com/us/products/1424468>

## Approvals

To download certificates, visit the product detail page: <https://www.phoenixcontact.com/us/products/1424468>



**EAC Ex**

Approval ID: RU C-DE.HA67.B.00120



**IECEX**

Approval ID: IECEX PTB 13.0034X



**ATEX**

Approval ID: PTB 13 ATEX 1015 X



**DNV GL-EX**

Approval ID: TAE00002SV

# G-ESIS-M25-S68N-PEPDS-BK - Cable gland



1424468

<https://www.phoenixcontact.com/us/products/1424468>

## Classifications

### ECLASS

ECLASS-13.0	27140802
ECLASS-15.0	27140802

### ETIM

ETIM 10.0	EC000441
-----------	----------

### UNSPSC

UNSPSC 21.0	39121300
-------------	----------

# G-ESIS-M25-S68N-PEPDS-BK - Cable gland



1424468

<https://www.phoenixcontact.com/us/products/1424468>

## Environmental product compliance

### EU RoHS

Fulfills EU RoHS substance requirements	Yes, No exemptions
---	--------------------

### China RoHS

Environment friendly use period (EFUP)	EFUP-E
	No hazardous substances above the limits

### EU REACH SVHC

REACH candidate substance (CAS No.)	No substance above 0.1 wt%
-------------------------------------	----------------------------

Phoenix Contact 2026 © - all rights reserved  
<https://www.phoenixcontact.com>

Phoenix Contact USA  
586 Fulling Mill Road  
Middletown, PA 17057, United States  
(+717) 944-1300  
[info@phoenixcon.com](mailto:info@phoenixcon.com)