

# HC-EVO-A16PT-BWSC-HH-M25-PLRBK - Connector set



1424460

<https://www.phoenixcontact.com/us/products/1424460>

Please be informed that the data shown in this PDF document is generated from our online catalog. Please find the complete data in the user documentation. Our general terms of use for downloads are valid.



Connector set, number of positions: 16, material: PA, connection method: Push-in connection, connection cross section: AWG 26- 14

## Commercial data

Item number	1424460
Packing unit	1 pc
Minimum order quantity	1 pc
Sales key	BF63
Product key	AF7AFX
GTIN	4055626372891
Weight per piece (including packing)	339.2 g
Weight per piece (excluding packing)	330 g
Customs tariff number	85366990
Country of origin	CN

# HC-EVO-A16PT-BWSC-HH-M25-PLRBK - Connector set



1424460

<https://www.phoenixcontact.com/us/products/1424460>

## Set consists of

### HC-EVO-D25-HHFS-PL-BK - Housing

1411347

<https://www.phoenixcontact.com/us/products/1411347>



Sleeve housing D25, for single locking latch, material: PA 6.6-FR, cable outlets: 1, straight/lateral, height: 75.5 mm, cable gland: none, protective cover: no, Standard

---

### HC-EVO-D25-BWSC-PLR-BK - Housing

1411345

<https://www.phoenixcontact.com/us/products/1411345>



Panel mounting base D25, with single locking latch, material: PA 6.6-FR, protective cover material: PC, height: 26 mm, cable gland: none, protective cover: yes, Standard, with flat gasket

# HC-EVO-A16PT-BWSC-HH-M25-PLRBK - Connector set

1424460

<https://www.phoenixcontact.com/us/products/1424460>

## HC-D-G-M25-PLRBK - Cable gland

1411351

<https://www.phoenixcontact.com/us/products/1411351>



EVO plastic cable gland with bayonet locking, for housing series D, size M25, cable diameter: 9 mm ... 17 mm.

---

## HC-A16-I-PT-M - Contact insert

1585375

<https://www.phoenixcontact.com/us/products/1585375>



Contact insert, number of positions: 16+PE, size: D25, number of connections per position: 1, Pin, Push-in connection, 250 V, 16 A, 0.14 mm<sup>2</sup> ... 2.5 mm<sup>2</sup>

# HC-EVO-A16PT-BWSC-HH-M25-PLRBK - Connector set



1424460

<https://www.phoenixcontact.com/us/products/1424460>

## HC-A16-I-PT-F - Contact insert

1585388

<https://www.phoenixcontact.com/us/products/1585388>



Contact insert, number of positions: 16+PE, size: D25, number of connections per position: 1, Socket, Push-in connection, 250 V, 16 A, 0.14 mm<sup>2</sup> ... 2.5 mm<sup>2</sup>

# HC-EVO-A16PT-BWSC-HH-M25-PLRBK - Connector set



1424460

<https://www.phoenixcontact.com/us/products/1424460>

## Technical data

### Product properties

Product type	Connector set
Housing type	Complete housing
Application	Standard
Type	D25
Number of positions	16
No. of cable outlets	1
Protective cover	yes

### Insulation characteristics

Overvoltage category	III
Degree of pollution	3

### Electrical properties

Rated voltage (III/3)	250 V
Rated surge voltage	4 kV
Rated current	16 A

### Connection data

Connection method	Push-in connection
Connection technology	Push-in connection
Conductor cross-section	0.14 mm <sup>2</sup> ... 2.5 mm <sup>2</sup> (applies to stranded conductors with ferrules) 0.14 mm <sup>2</sup> ... 2.5 mm <sup>2</sup> (applies to stranded conductors with ferrules)
Connection cross section AWG	26 ... 14

### Dimensions

#### Installation dimensions

Width of the assembly cutout	24 mm
Length of the assembly cutout	74 mm

### Material specifications

Flammability rating according to UL 94	V0
Housing material	PA
Contact material	Copper alloy
Contact surface material	Ag
Contact carrier material	PC
Locking latch material	PA

### Cable/line

External cable diameter	9 mm ... 17 mm
-------------------------	----------------

# HC-EVO-A16PT-BWSC-HH-M25-PLRBK - Connector set



1424460

<https://www.phoenixcontact.com/us/products/1424460>

## Environmental and real-life conditions

### Ambient conditions

Degree of protection	IP66
Enclosure rating (NEMA)	12 (UL 50e)
Impact strength	IK08
Ambient temperature (operation)	-40 °C ... 100 °C

# HC-EVO-A16PT-BWSC-HH-M25-PLRBK - Connector set

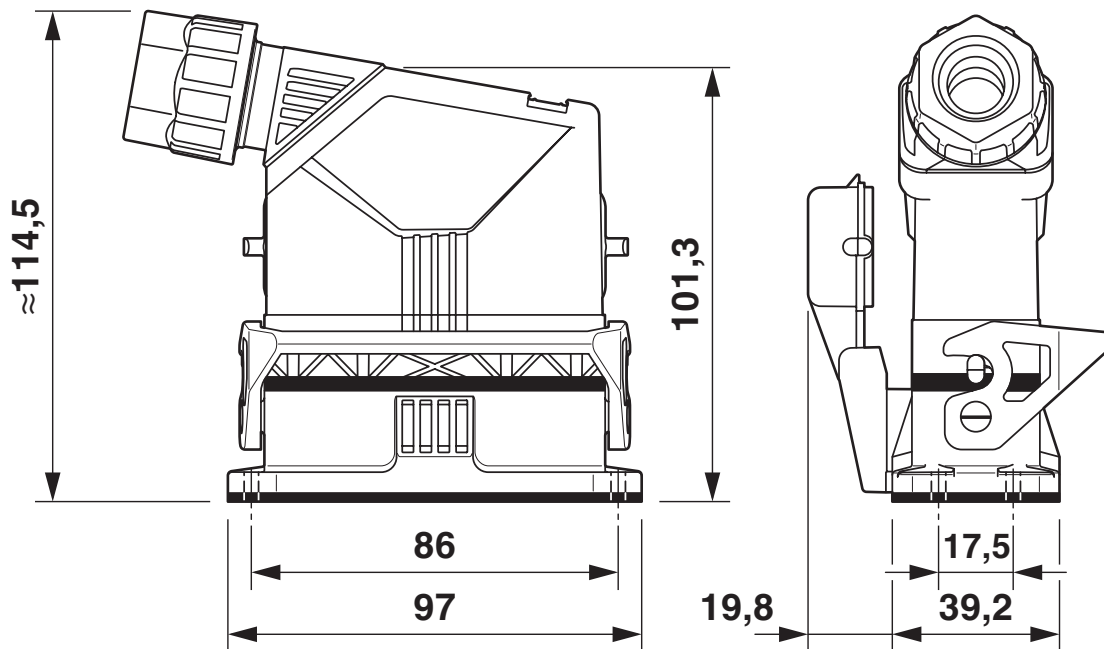


1424460

<https://www.phoenixcontact.com/us/products/1424460>

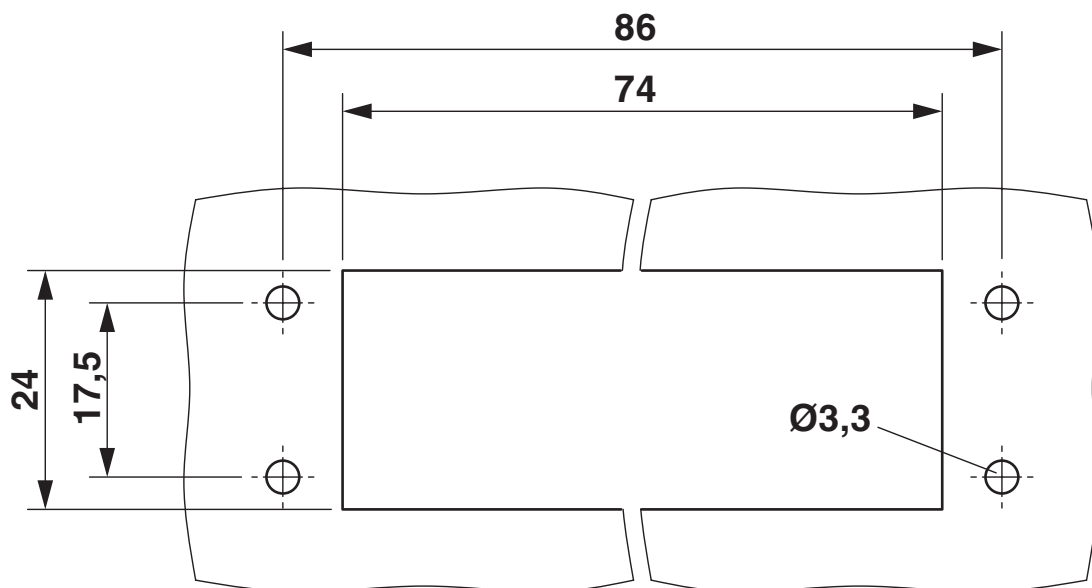
## Drawings

Dimensional drawing



Dimensional drawing

Dimensional drawing



Mounting cutout

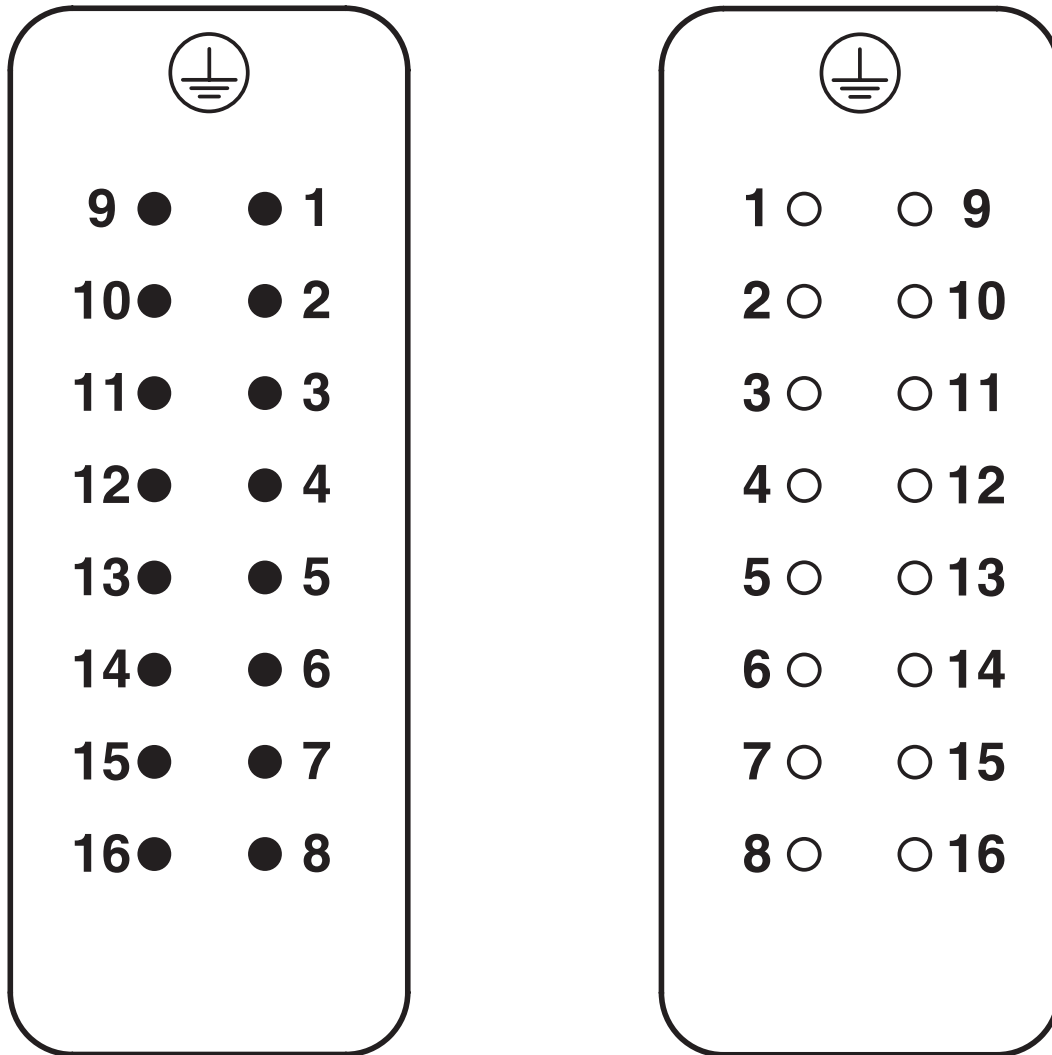
# HC-EVO-A16PT-BWSC-HH-M25-PLRBK - Connector set



1424460

<https://www.phoenixcontact.com/us/products/1424460>

Schematic diagram



Pin assignment, connection side, pin left, socket right

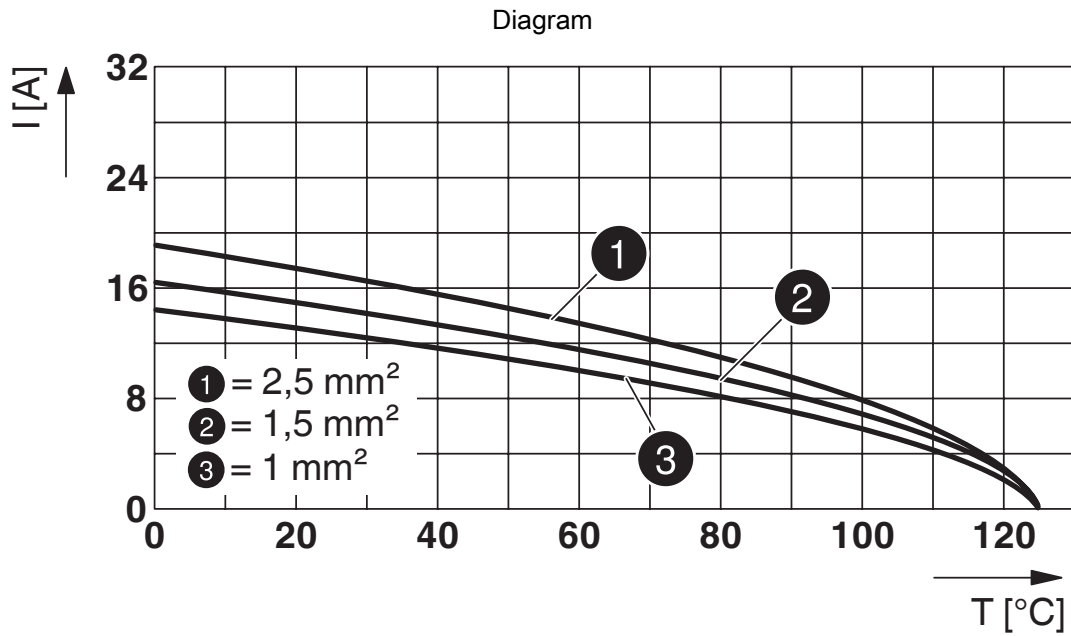


# HC-EVO-A16PT-BWSC-HH-M25-PLRBK - Connector set



1424460

<https://www.phoenixcontact.com/us/products/1424460>



Derating diagram

# HC-EVO-A16PT-BWSC-HH-M25-PLRBK - Connector set



1424460

<https://www.phoenixcontact.com/us/products/1424460>

## Approvals

🔗 To download certificates, visit the product detail page: <https://www.phoenixcontact.com/us/products/1424460>

**DNV**

Approval ID: TAE000037S

# HC-EVO-A16PT-BWSC-HH-M25-PLRBK - Connector set



1424460

<https://www.phoenixcontact.com/us/products/1424460>

## Classifications

### ECLASS

ECLASS-13.0	27440113
ECLASS-15.0	27440113

### ETIM

ETIM 10.0	EC002636
-----------	----------

### UNSPSC

UNSPSC 21.0	39121400
-------------	----------

# HC-EVO-A16PT-BWSC-HH-M25-PLRBK - Connector set



1424460

<https://www.phoenixcontact.com/us/products/1424460>

## Environmental product compliance

### EU RoHS

Fulfills EU RoHS substance requirements	Yes, No exemptions
---	--------------------

### China RoHS

Environment friendly use period (EFUP)	EFUP-E
	No hazardous substances above the limits

### EU REACH SVHC

REACH candidate substance (CAS No.)	No substance above 0.1 wt%
-------------------------------------	----------------------------

Phoenix Contact 2026 © - all rights reserved  
<https://www.phoenixcontact.com>

Phoenix Contact USA  
586 Fulling Mill Road  
Middletown, PA 17057, United States  
(+717) 944-1300  
[info@phoenixcon.com](mailto:info@phoenixcon.com)