

# HC-EVO-A10PT-BWSC-HH-M20-PLRBK - Connector set



1424454

<https://www.phoenixcontact.com/us/products/1424454>

Please be informed that the data shown in this PDF document is generated from our online catalog. Please find the complete data in the user documentation. Our general terms of use for downloads are valid.



Connector set, number of positions: 10, material: PA, connection method: Push-in connection, connection cross section: AWG 26- 14

## Commercial data

Item number	1424454
Packing unit	1 pc
Minimum order quantity	1 pc
Sales key	BF63
Product key	AF7AFX
GTIN	4055626372839
Weight per piece (including packing)	267.4 g
Weight per piece (excluding packing)	267.4 g
Customs tariff number	85366990
Country of origin	CN

# HC-EVO-A10PT-BWSC-HH-M20-PLRBK - Connector set



1424454

<https://www.phoenixcontact.com/us/products/1424454>

## Set consists of

### HC-EVO-D15-HHFS-PL-BK - Housing

1411340

<https://www.phoenixcontact.com/us/products/1411340>



Sleeve housing D15, for single locking latch, material: PA 6.6-FR, cable outlets: 1, straight/lateral, height: 65.5 mm, cable gland: none, Standard

---

### HC-EVO-D15-BWSC-PLR-BK - Housing

1411337

<https://www.phoenixcontact.com/us/products/1411337>



Panel mounting base D15, with single locking latch, material: PA 6.6-FR, protective cover material: PC, height: 26 mm, cable gland: none, protective cover: yes, Standard, with flat gasket

# HC-EVO-A10PT-BWSC-HH-M20-PLRBK - Connector set



1424454

<https://www.phoenixcontact.com/us/products/1424454>

## HC-D-G-M20-PLRBK - Cable gland

1411350

<https://www.phoenixcontact.com/us/products/1411350>



EVO plastic cable gland with bayonet locking, for housing series D, size M20, cable diameter: 7 mm ... 13 mm.

---

## HC-A10-I-PT-M - Contact insert

1585359

<https://www.phoenixcontact.com/us/products/1585359>



Contact insert, number of positions: 10+PE, size: D15, number of connections per position: 1, Pin, Push-in connection, 250 V, 16 A, 0.14 mm<sup>2</sup> ... 2.5 mm<sup>2</sup>

# HC-EVO-A10PT-BWSC-HH-M20-PLRBK - Connector set



1424454

<https://www.phoenixcontact.com/us/products/1424454>

## HC-A10-I-PT-F - Contact insert

1585362

<https://www.phoenixcontact.com/us/products/1585362>



Contact insert, number of positions: 10+PE, size: D15, number of connections per position: 1, Socket, Push-in connection, 250 V, 16 A, 0.14 mm<sup>2</sup> ... 2.5 mm<sup>2</sup>

# HC-EVO-A10PT-BWSC-HH-M20-PLRBK - Connector set



1424454

<https://www.phoenixcontact.com/us/products/1424454>

## Technical data

### Product properties

Product type	Connector set
Housing type	Complete housing
Application	Standard
Type	D15
Number of positions	10
No. of cable outlets	1
Protective cover	yes

### Insulation characteristics

Overvoltage category	III
Degree of pollution	3

### Electrical properties

Rated voltage (III/3)	250 V
Rated surge voltage	4 kV
Rated current	16 A

### Connection data

Connection method	Push-in connection
Connection technology	Push-in connection
Conductor cross-section	0.14 mm <sup>2</sup> ... 2.5 mm <sup>2</sup> (applies to stranded conductors with ferrules) 0.14 mm <sup>2</sup> ... 2.5 mm <sup>2</sup> (applies to stranded conductors with ferrules)
Connection cross section AWG	26 ... 14

### Dimensions

#### Installation dimensions

Width of the assembly cutout	24 mm
Length of the assembly cutout	58 mm

### Material specifications

Flammability rating according to UL 94	V0
Housing material	PA
Contact material	Copper alloy
Contact surface material	Ag
Contact carrier material	PC
Locking latch material	PA

### Cable/line

External cable diameter	7 mm ... 13 mm
-------------------------	----------------

# HC-EVO-A10PT-BWSC-HH-M20-PLRBK - Connector set



1424454

<https://www.phoenixcontact.com/us/products/1424454>

## Environmental and real-life conditions

### Ambient conditions

Degree of protection	IP66
Enclosure rating (NEMA)	12 (UL 50e)
Impact strength	IK08
Ambient temperature (operation)	-40 °C ... 100 °C

# HC-EVO-A10PT-BWSC-HH-M20-PLRBK - Connector set

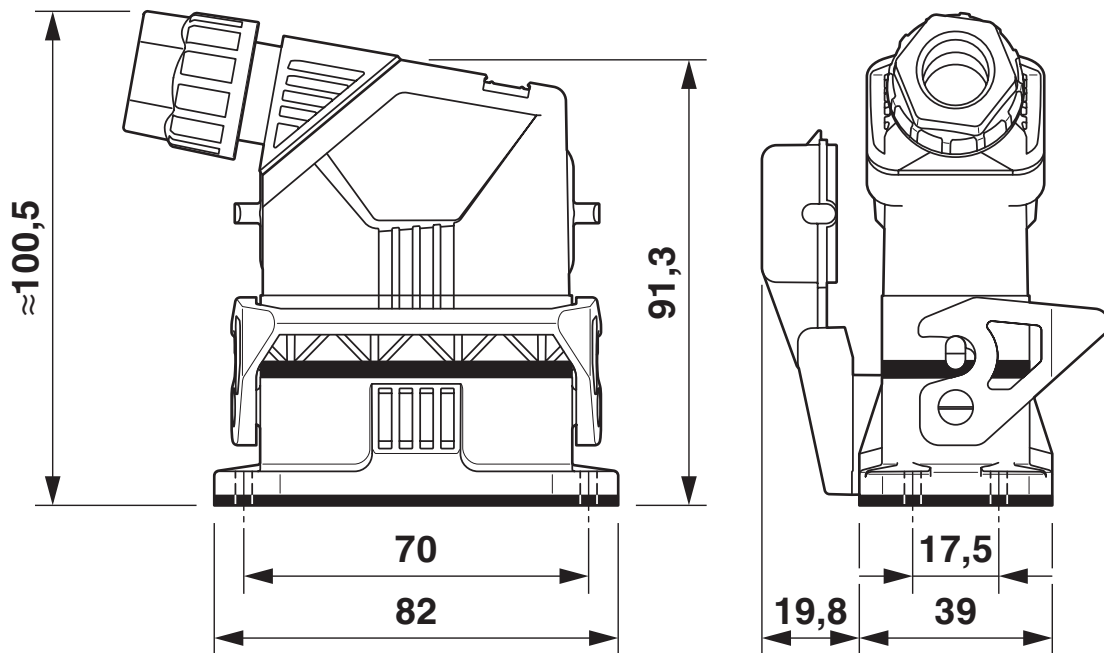


1424454

<https://www.phoenixcontact.com/us/products/1424454>

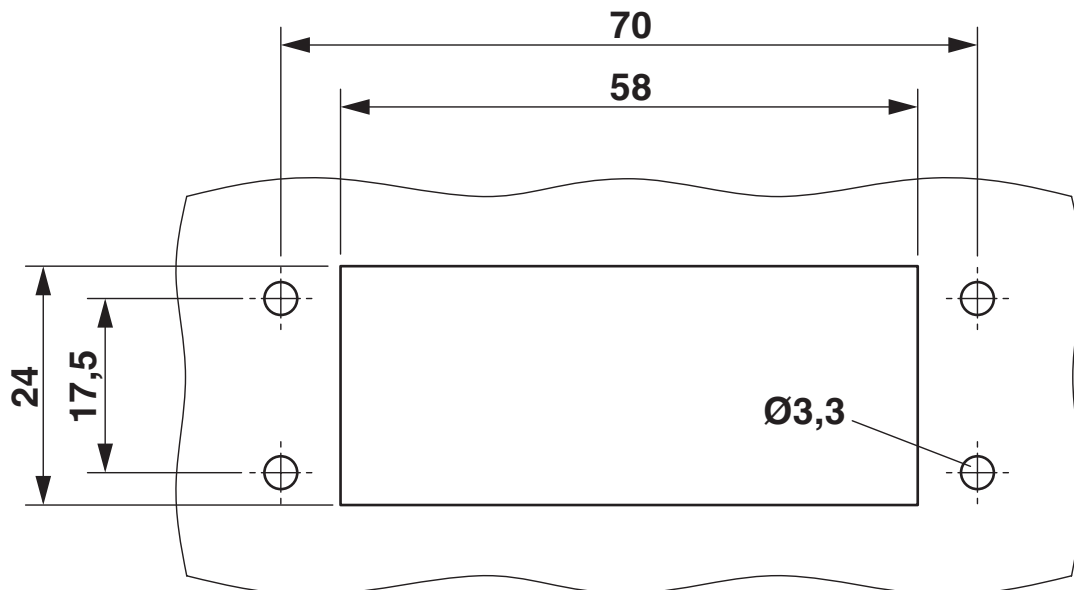
## Drawings

Dimensional drawing



Dimensional drawing

Dimensional drawing



Mounting cutout

# HC-EVO-A10PT-BWSC-HH-M20-PLRBK - Connector set



1424454

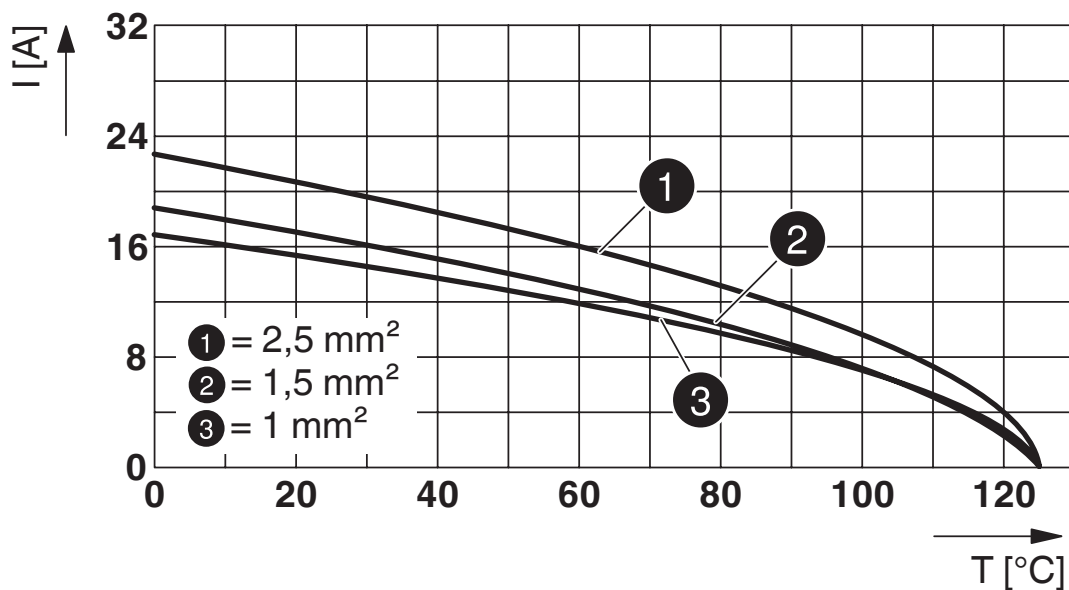
<https://www.phoenixcontact.com/us/products/1424454>

Schematic diagram



Pin assignment, connection side, pin left, socket right

Diagram



Derating diagram

# HC-EVO-A10PT-BWSC-HH-M20-PLRBK - Connector set



1424454

<https://www.phoenixcontact.com/us/products/1424454>

## Approvals

🔗 To download certificates, visit the product detail page: <https://www.phoenixcontact.com/us/products/1424454>

**DNV**

Approval ID: TAE000037S

# HC-EVO-A10PT-BWSC-HH-M20-PLRBK - Connector set



1424454

<https://www.phoenixcontact.com/us/products/1424454>

## Classifications

### ECLASS

ECLASS-13.0	27440113
ECLASS-15.0	27440113

### ETIM

ETIM 10.0	EC002636
-----------	----------

### UNSPSC

UNSPSC 21.0	39121400
-------------	----------

# HC-EVO-A10PT-BWSC-HH-M20-PLRBK - Connector set



1424454

<https://www.phoenixcontact.com/us/products/1424454>

## Environmental product compliance

### EU RoHS

Fulfills EU RoHS substance requirements	Yes, No exemptions
---	--------------------

### China RoHS

Environment friendly use period (EFUP)	EFUP-E
	No hazardous substances above the limits

### EU REACH SVHC

REACH candidate substance (CAS No.)	No substance above 0.1 wt%
-------------------------------------	----------------------------

Phoenix Contact 2026 © - all rights reserved  
<https://www.phoenixcontact.com>

Phoenix Contact USA  
586 Fulling Mill Road  
Middletown, PA 17057, United States  
(+717) 944-1300  
[info@phoenixcon.com](mailto:info@phoenixcon.com)