

# HC-1/2M-UT-M-6-PE - Contact insert module



1424439

<https://www.phoenixcontact.com/us/products/1424439>

Please be informed that the data shown in this PDF document is generated from our online catalog. Please find the complete data in the user documentation. Our general terms of use for downloads are valid.



Contact insert module, Pin, leading, Screw connection, 0.5 mm<sup>2</sup> ... 6 mm<sup>2</sup>, application: PE transmission, for housing size HC-EVO-M1

## Commercial data

Item number	1424439
Packing unit	1 pc
Minimum order quantity	1 pc
Sales key	BF62
Product key	AF7ACE
GTIN	4055626372587
Weight per piece (including packing)	18.3 g
Weight per piece (excluding packing)	17.2 g
Customs tariff number	85366990
Country of origin	CN

# HC-1/2M-UT-M-6-PE - Contact insert module



1424439

<https://www.phoenixcontact.com/us/products/1424439>

## Technical data

### Product properties

Product type	Modular contact insert
Series	HC-EVO-M1
Application	PE transmission
Number of positions	1
Contact material type	turned

### Connection data

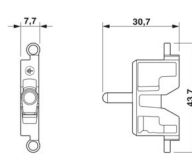
#### Connection technology

Connection technology	Screw connection
-----------------------	------------------

#### Conductor connection

Conductor cross-section	0.5 mm <sup>2</sup> ... 6 mm <sup>2</sup>
Connection cross section AWG	20 ... 10
Tightening torque	0.8 Nm ... 1.2 Nm (PE connection) 0.5 Nm ... 0.8 Nm (Mounting screws for mounting in the HEAVYCON housing)

### Dimensions

Dimensional drawing	
Width	30.9 mm
Height	43.7 mm
Length	7.7 mm
Drill hole distance, horizontal	30.9 mm

#### Mechanical characteristics

Contact diameter	4 mm
------------------	------

### Mechanical properties

#### Mechanical data

Insertion/withdrawal cycles	≥ 500
-----------------------------	-------

### Material specifications

Flammability rating according to UL 94	V0
Contact carrier material	Die-cast zinc alloy

### Environmental and real-life conditions

# HC-1/2M-UT-M-6-PE - Contact insert module



1424439

<https://www.phoenixcontact.com/us/products/1424439>

## Ambient conditions

Ambient temperature (operation)

-40 °C ... 125 °C

# HC-1/2M-UT-M-6-PE - Contact insert module

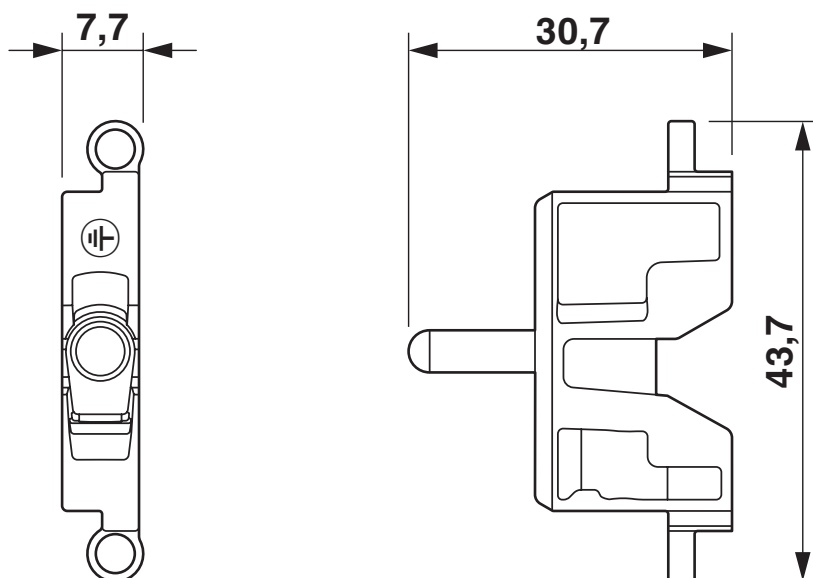


1424439

<https://www.phoenixcontact.com/us/products/1424439>

## Drawings

Dimensional drawing



# HC-1/2M-UT-M-6-PE - Contact insert module




1424439

<https://www.phoenixcontact.com/us/products/1424439>

## Approvals

To download certificates, visit the product detail page: <https://www.phoenixcontact.com/us/products/1424439>

 <b>UL Recognized</b> Approval ID: E468743				
	Nominal voltage $U_N$	Nominal current $I_N$	Cross section AWG	Cross section $\text{mm}^2$
keine				
	-	-	- - -	-

# HC-1/2M-UT-M-6-PE - Contact insert module



1424439

<https://www.phoenixcontact.com/us/products/1424439>

## Classifications

### ECLASS

ECLASS-13.0	27440217
ECLASS-15.0	27440217

### ETIM

ETIM 10.0	EC000438
-----------	----------

### UNSPSC

UNSPSC 21.0	39121400
-------------	----------

# HC-1/2M-UT-M-6-PE - Contact insert module



1424439

<https://www.phoenixcontact.com/us/products/1424439>

## Environmental product compliance

### EU RoHS

Fulfills EU RoHS substance requirements	Yes, No exemptions
---	--------------------

### China RoHS

Environment friendly use period (EFUP)	EFUP-E
	No hazardous substances above the limits

### EU REACH SVHC

REACH candidate substance (CAS No.)	No substance above 0.1 wt%
-------------------------------------	----------------------------

Phoenix Contact 2026 © - all rights reserved  
<https://www.phoenixcontact.com>

Phoenix Contact USA  
586 Fulling Mill Road  
Middletown, PA 17057, United States  
(+717) 944-1300  
[info@phoenixcon.com](mailto:info@phoenixcon.com)