

HC-EVO-M1-BWS-PLRBK - Housing

1424437

<https://www.phoenixcontact.com/us/products/1424437>

Please be informed that the data shown in this PDF document is generated from our online catalog. Please find the complete data in the user documentation. Our general terms of use for downloads are valid.



Panel mounting base M1, with single locking latch, material: PA, height: 24 mm, cable gland: none, protective cover: no, Standard, for modular contact inserts

Commercial data

Item number	1424437
Packing unit	1 pc
Minimum order quantity	1 pc
Sales key	BF56
Product key	AF7APQ
GTIN	4055626372563
Weight per piece (including packing)	47.6 g
Weight per piece (excluding packing)	22.22 g
Customs tariff number	85389099
Country of origin	CN

HC-EVO-M1-BWS-PLRBK - Housing

1424437

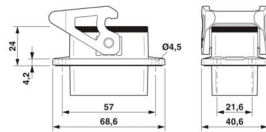
<https://www.phoenixcontact.com/us/products/1424437>

Technical data

Product properties

Product type	Housing with locking latch
Housing type	Panel mounting base
Application	Standard
Type	M1
Protective cover	no
Shielded	no
Pg screw connection	none

Dimensions

Dimensional drawing	
Width	40.6 mm
Height	24 mm
Length	68.6 mm
Drill hole distance, horizontal	57 mm
Drill hole distance, vertical	21.6 mm
Hole diameter	4.5 mm

Installation dimensions

Width of the assembly cutout	28.6 mm
Length of the assembly cutout	48.2 mm

Material specifications

Flammability rating according to UL 94	V0 (Housing)
	V0 (Interlock)
Seal material	NBR, conductive
Housing material	PA
Locking latch material	PA

Mechanical properties

Mechanical data

Locking type	Latch
--------------	-------

Connection data

Tightening torque	0.5 Nm ... 0.8 Nm (For M3 mounting screws on the panel-mount base)
-------------------	--

Mounting

HC-EVO-M1-BWS-PLRBK - Housing



1424437

<https://www.phoenixcontact.com/us/products/1424437>

Assembly note	The housing can accommodate all Phoenix Contact modules with a single module width. Exception: Push-in TWIN modules with Order Numbers 1423962 and 1423961 may not be used due to the lack of rotation protection.
	The housing can accommodate all Phoenix Contact modules with single module width. Exception: Push-in TWIN modules with Item No.. 1423962 and 1423961 may not be used due to the lack of rotation protection.

Environmental and real-life conditions

Ambient conditions

Degree of protection	IP66
Impact strength	IK06
Ambient temperature (operation)	-40 °C ... 125 °C

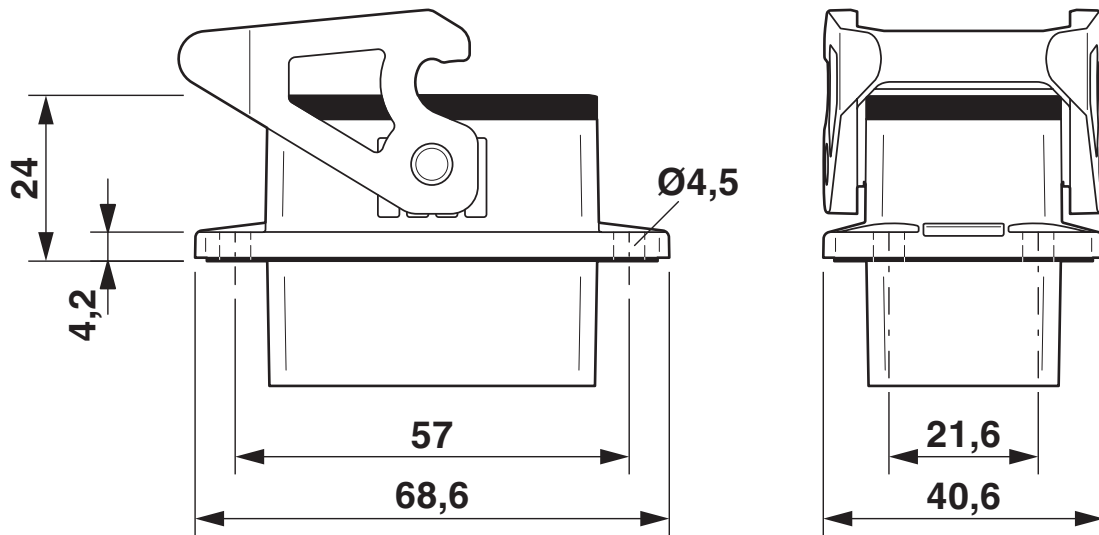
HC-EVO-M1-BWS-PLRBK - Housing

1424437

<https://www.phoenixcontact.com/us/products/1424437>

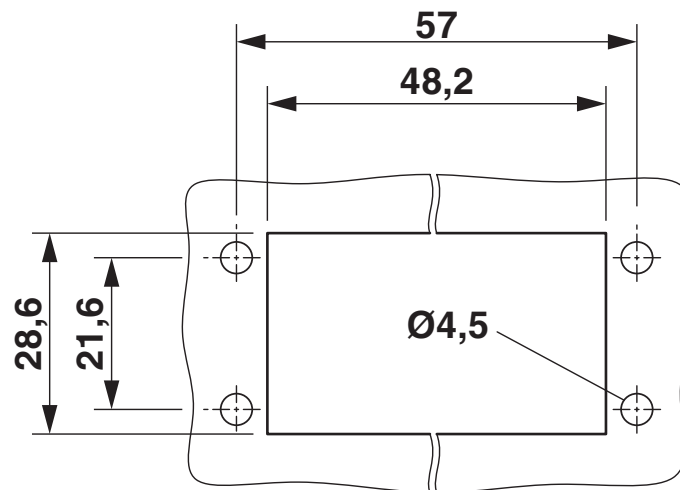
Drawings

Dimensional drawing



Dimensional drawing

Dimensional drawing



Mounting cutout

HC-EVO-M1-BWS-PLRBK - Housing

1424437

<https://www.phoenixcontact.com/us/products/1424437>



Dimensional drawing

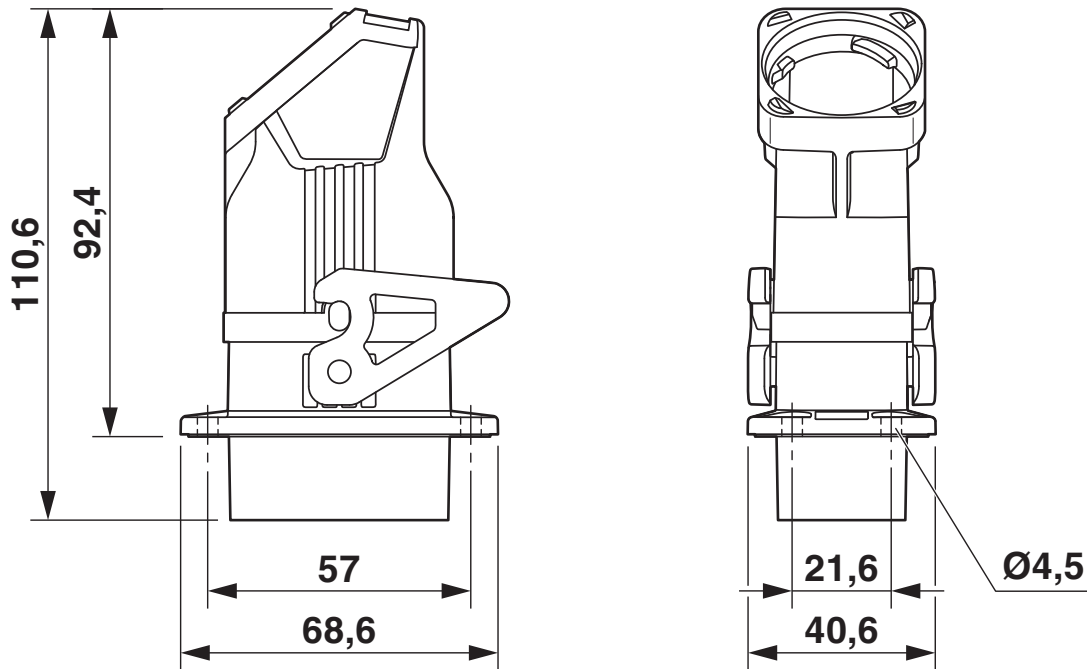


Figure may contain other products.

HC-EVO-M1-BWS-PLRBK - Housing



1424437

<https://www.phoenixcontact.com/us/products/1424437>

Approvals

To download certificates, visit the product detail page: <https://www.phoenixcontact.com/us/products/1424437>

DNV

Approval ID: TAE000037S



cUL Recognized

Approval ID: E255026



UL Recognized

Approval ID: E255026

HC-EVO-M1-BWS-PLRBK - Housing



1424437

<https://www.phoenixcontact.com/us/products/1424437>

Classifications

ECLASS

ECLASS-13.0	27440202
ECLASS-15.0	27440202

ETIM

ETIM 10.0	EC000437
-----------	----------

UNSPSC

UNSPSC 21.0	31261500
-------------	----------

HC-EVO-M1-BWS-PLRBK - Housing



1424437

<https://www.phoenixcontact.com/us/products/1424437>

Environmental product compliance

EU RoHS

Fulfills EU RoHS substance requirements	Yes, No exemptions
---	--------------------

China RoHS

Environment friendly use period (EFUP)	EFUP-E
	No hazardous substances above the limits

EU REACH SVHC

REACH candidate substance (CAS No.)	No substance above 0.1 wt%
-------------------------------------	----------------------------

Phoenix Contact 2026 © - all rights reserved
<https://www.phoenixcontact.com>

Phoenix Contact USA
586 Fulling Mill Road
Middletown, PA 17057, United States
(+717) 944-1300
info@phoenixcon.com