

HC-EVO-M1-HHFS-PLBK - Housing



1424436

<https://www.phoenixcontact.com/us/products/1424436>

Please be informed that the data shown in this PDF document is generated from our online catalog. Please find the complete data in the user documentation. Our general terms of use for downloads are valid.



Sleeve housing, plastic, with bayonet flange for EVO-D screw connection, M1, for single locking latch, for modular contact inserts with single module width, without EVO screw connection

Commercial data

Item number	1424436
Packing unit	1 pc
Minimum order quantity	1 pc
Sales key	BF56
Product key	AF7APQ
GTIN	4055626372556
Weight per piece (including packing)	45.7 g
Weight per piece (excluding packing)	45.7 g
Customs tariff number	85389099
Country of origin	CN

HC-EVO-M1-HHFS-PLBK - Housing



1424436

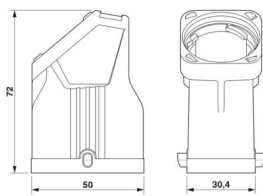
<https://www.phoenixcontact.com/us/products/1424436>

Technical data

Product properties

Product type	Housing with locking latch
Housing type	Sleeve housing
Application	Standard
Type	M1
No. of cable outlets	1
Protective cover	no
Shielded	no
Cable outlet	straight
Pg screw connection	none

Dimensions

Dimensional drawing	
Width	30.4 mm
Height	72 mm
Length	50 mm

Material specifications

Flammability rating according to UL 94	V0 (Housing)
Housing material	PA

Mechanical properties

Mechanical data

Locking type	Pin
--------------	-----

Mounting

Assembly note	<p>The housing can accommodate all Phoenix Contact modules with a single module width. Exception: Push-in TWIN modules with Order Numbers 1423962 and 1423961 may not be used due to the lack of rotation protection.</p> <p>The sleeve base housing must be supplemented with the EVO screw connection. The EVO screw connection is available in 2 sizes. It enables the creation of a straight or lateral cable outlet. The EVO screw connection is mounted by hand or with the aid of a pipe wrench, for example.</p> <p>The housing can accommodate all Phoenix Contact modules with single module width. Exception: Push-in TWIN modules with Item No.. 1423962 and 1423961 may not be used due to the lack</p>
---------------	--

HC-EVO-M1-HHFS-PLBK - Housing



1424436

<https://www.phoenixcontact.com/us/products/1424436>

of rotation protection.

Environmental and real-life conditions

Ambient conditions

Degree of protection	IP66
Enclosure rating (NEMA)	12
Impact strength	IK06
Ambient temperature (operation)	-40 °C ... 125 °C

HC-EVO-M1-HHFS-PLBK - Housing

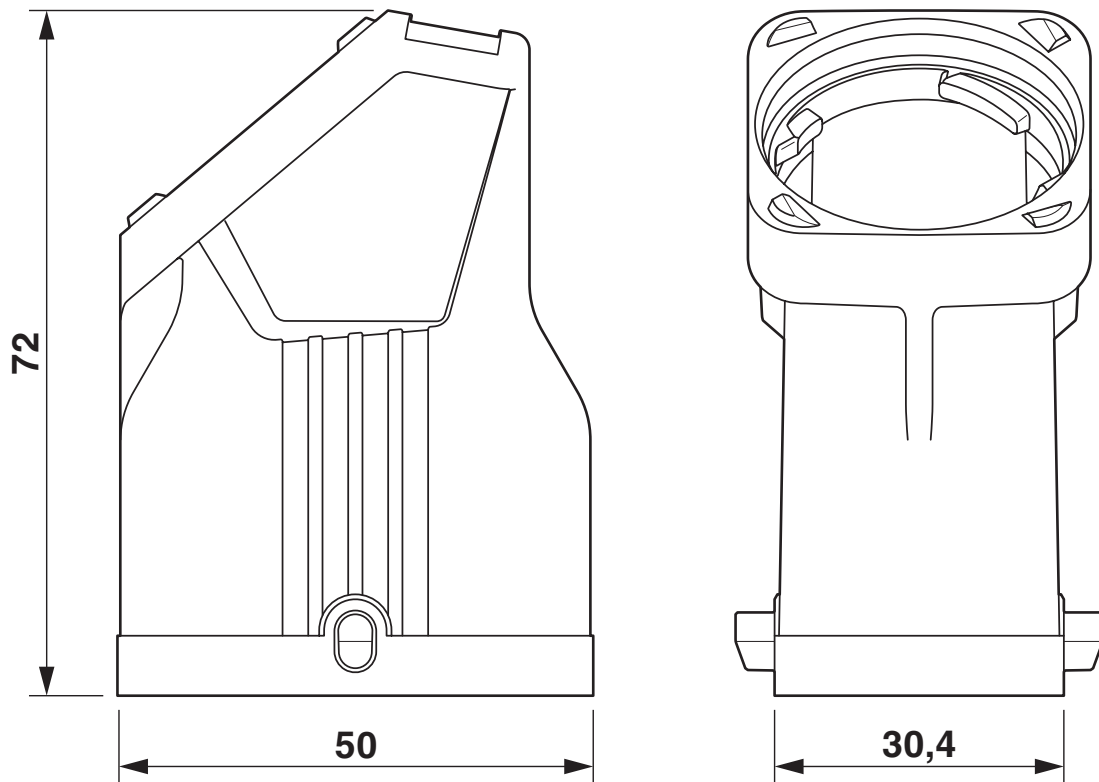


1424436

<https://www.phoenixcontact.com/us/products/1424436>

Drawings

Dimensional drawing



Dimensional drawing

HC-EVO-M1-HHFS-PLBK - Housing

1424436

<https://www.phoenixcontact.com/us/products/1424436>



Dimensional drawing

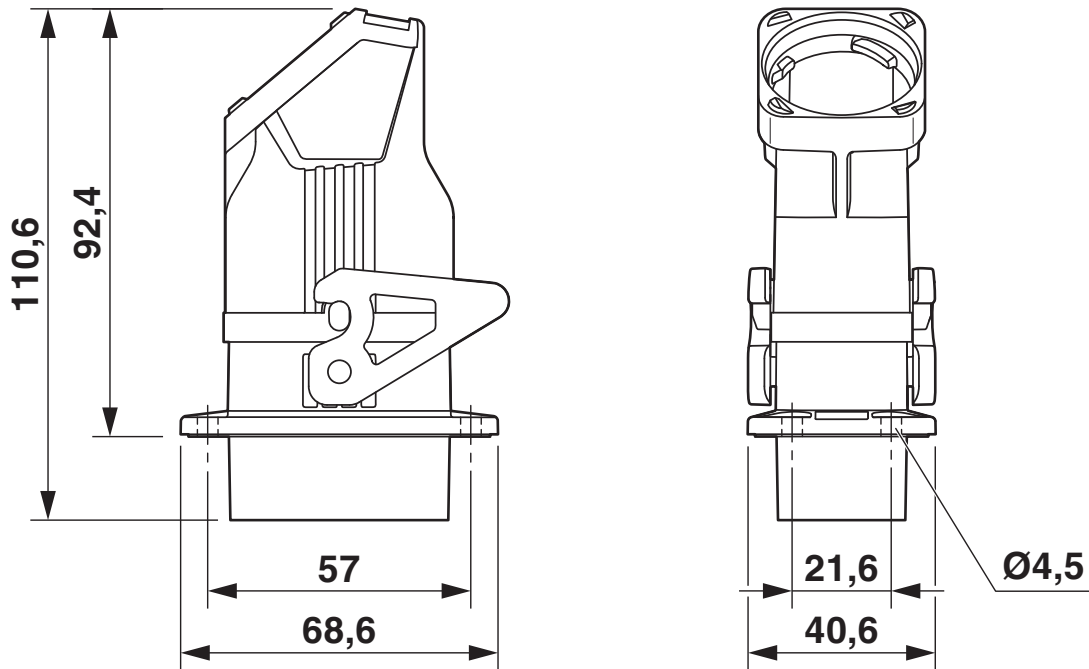


Figure may contain other products.

HC-EVO-M1-HHFS-PLBK - Housing



1424436

<https://www.phoenixcontact.com/us/products/1424436>

Approvals

To download certificates, visit the product detail page: <https://www.phoenixcontact.com/us/products/1424436>

DNV

Approval ID: TAE000037S



cUL Recognized

Approval ID: E255026



UL Recognized

Approval ID: E255026

HC-EVO-M1-HHFS-PLBK - Housing



1424436

<https://www.phoenixcontact.com/us/products/1424436>

Classifications

ECLASS

ECLASS-13.0	27440202
ECLASS-15.0	27440202

ETIM

ETIM 10.0	EC000437
-----------	----------

UNSPSC

UNSPSC 21.0	31261500
-------------	----------

HC-EVO-M1-HHFS-PLBK - Housing



1424436

<https://www.phoenixcontact.com/us/products/1424436>

Environmental product compliance

EU RoHS

Fulfills EU RoHS substance requirements	Yes, No exemptions
---	--------------------

China RoHS

Environment friendly use period (EFUP)	EFUP-E
	No hazardous substances above the limits

EU REACH SVHC

REACH candidate substance (CAS No.)	No substance above 0.1 wt%
-------------------------------------	----------------------------

Phoenix Contact 2026 © - all rights reserved
<https://www.phoenixcontact.com>

Phoenix Contact USA
586 Fulling Mill Road
Middletown, PA 17057, United States
(+717) 944-1300
info@phoenixcon.com