

HC-STA-D25-HCLWS-PL-BK - Protective cover



1424400

<https://www.phoenixcontact.com/us/products/1424400>

Please be informed that the data shown in this PDF document is generated from our online catalog. Please find the complete data in the user documentation. Our general terms of use for downloads are valid.

Protective cover D25, with single locking latch, protective cover material: PA, height: 19 mm



Commercial data

Item number	1424400
Packing unit	1 pc
Sales key	BF66
Product key	AF7AZC
GTIN	4055626371405
Weight per piece (including packing)	38.5 g
Weight per piece (excluding packing)	35 g
Customs tariff number	85389099
Country of origin	CN

HC-STA-D25-HCLWS-PL-BK - Protective cover



1424400

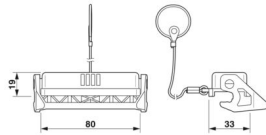
<https://www.phoenixcontact.com/us/products/1424400>

Technical data

Product properties

Product type	Protective cover
Housing type	Protective cover
Type	D25

Dimensions

Dimensional drawing	
Width	33 mm
Height	19 mm
Length	80 mm

Material specifications

Material Protective cover	PA
Flammability rating according to UL 94	V0
Material, protective cover	PA

Environmental and real-life conditions

Ambient conditions

Degree of protection	IP66
Ambient temperature (operation)	-20 °C ... 100 °C

Mounting

Assembly note	Plastic protective cover for short-term protection
---------------	--

HC-STA-D25-HCLWS-PL-BK - Protective cover

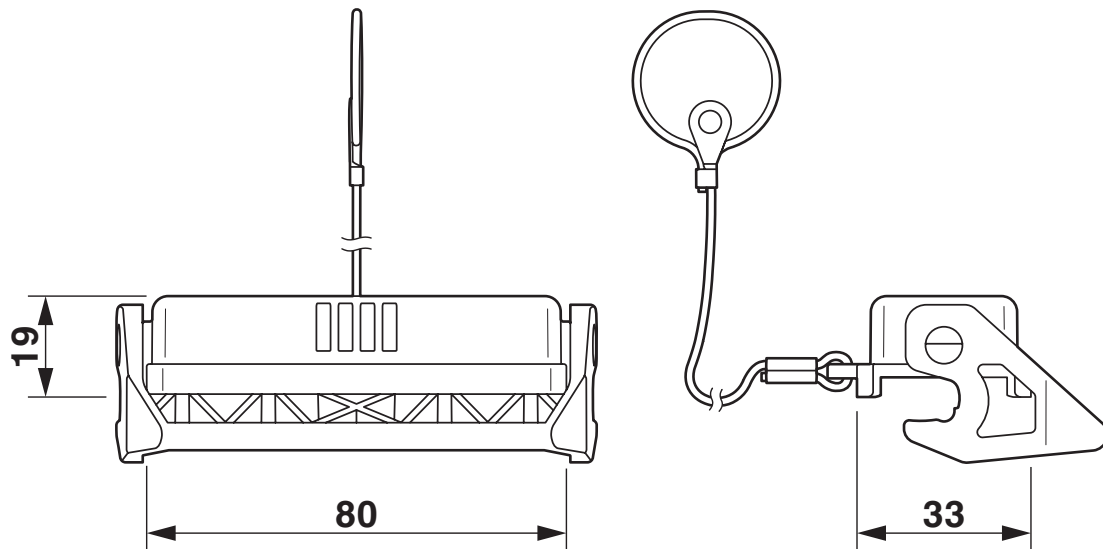


1424400

<https://www.phoenixcontact.com/us/products/1424400>

Drawings

Dimensional drawing



Dimensional drawing

HC-STA-D25-HCLWS-PL-BK - Protective cover



1424400

<https://www.phoenixcontact.com/us/products/1424400>

Approvals

🔗 To download certificates, visit the product detail page: <https://www.phoenixcontact.com/us/products/1424400>

DNV

Approval ID: TAE000037S

HC-STA-D25-HCLWS-PL-BK - Protective cover



1424400

<https://www.phoenixcontact.com/us/products/1424400>

Classifications

ECLASS

ECLASS-13.0	27440208
ECLASS-15.0	27440208

UNSPSC

UNSPSC 21.0	39121400
-------------	----------

HC-STA-D25-HCLWS-PL-BK - Protective cover



1424400

<https://www.phoenixcontact.com/us/products/1424400>

Environmental product compliance

EU RoHS

Fulfills EU RoHS substance requirements	Yes, No exemptions
---	--------------------

China RoHS

Environment friendly use period (EFUP)	EFUP-E
	No hazardous substances above the limits

EU REACH SVHC

REACH candidate substance (CAS No.)	No substance above 0.1 wt%
-------------------------------------	----------------------------

Phoenix Contact 2026 © - all rights reserved
<https://www.phoenixcontact.com>

Phoenix Contact USA
586 Fulling Mill Road
Middletown, PA 17057, United States
(+717) 944-1300
info@phoenixcon.com