

HC-STA-D25-SLWSC-2SSP16-EL-AL - Housing



1424398

<https://www.phoenixcontact.com/us/products/1424398>

Please be informed that the data shown in this PDF document is generated from our online catalog. Please find the complete data in the user documentation. Our general terms of use for downloads are valid.



Surface mounting housing D25, with single locking latch, material: Die-cast aluminum, salt water resistant, protective cover material: PC, cable outlets: 2, lateral, 2x Pg16, height: 57 mm, cable gland: none, protective cover: yes, Standard

Commercial data

| | |
|--------------------------------------|---------------|
| Item number | 1424398 |
| Packing unit | 1 pc |
| Minimum order quantity | 1 pc |
| Sales key | BF56 |
| Product key | AF7APE |
| GTIN | 4055626371382 |
| Weight per piece (including packing) | 211.8 g |
| Weight per piece (excluding packing) | 185 g |
| Customs tariff number | 85389099 |
| Country of origin | CN |

1424398

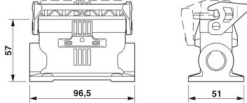
<https://www.phoenixcontact.com/us/products/1424398>

Technical data

Product properties

| | |
|------------------------------|----------------------------|
| Product type | Housing with locking latch |
| Housing type | Surface mounting housing |
| Product family | HC-STA-D |
| Application | Standard |
| Type | D25 |
| No. of cable outlets | 2 |
| Type of the screw connection | 2x Pg16 |
| Protective cover | yes |
| Cable outlet | lateral |
| Pg screw connection | none |

Dimensions

| | |
|---------------------|--|
| Dimensional drawing |  |
| Width | 51 mm |
| Height | 57 mm |
| Length | 80 mm |
| Hole diameter | 4.5 mm |

Material specifications

| | |
|--|---|
| Flammability rating according to UL 94 | V0 (Interlock) |
| | V0 (Protective cover) |
| Housing material | Die-cast aluminum, salt water resistant |
| Housing surface material | uncoated |
| Material, protective cover | PC |
| Locking latch material | PA |

Mechanical properties

Mechanical data

| | |
|------------------------------|---------|
| Type of the screw connection | 2x Pg16 |
| Locking type | Latch |

Connection data

| | |
|-------------------|---|
| Tightening torque | 0.8 Nm ... 1.2 Nm (for M4 mounting screws on the surface-mount housing) |
|-------------------|---|

Mounting

1424398

<https://www.phoenixcontact.com/us/products/1424398>

| | |
|---------------|---|
| Assembly note | One opening is sealed with a plastic filler plug and can be opened using a screwdriver. |
|---------------|---|

Environmental and real-life conditions

Ambient conditions

| | |
|---------------------------------|---|
| Degree of protection | IP66 (with locked protective cover) IP67 (when plugged in) |
| Impact strength | IK08 |
| Ambient temperature (operation) | -40 °C ... 125 °C |

HC-STA-D25-SLWSC-2SSP16-EL-AL - Housing

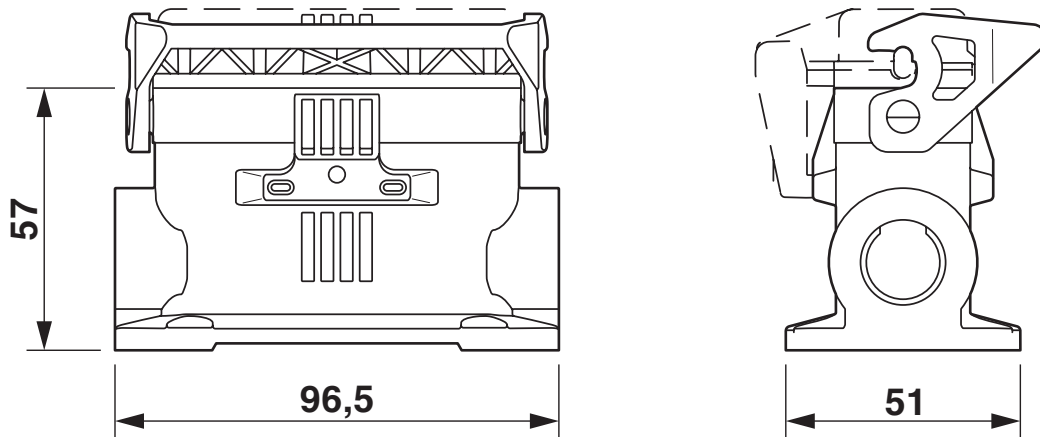


1424398

<https://www.phoenixcontact.com/us/products/1424398>

Drawings

Dimensional drawing



Dimensional drawing

HC-STA-D25-SLWSC-2SSP16-EL-AL - Housing



1424398

<https://www.phoenixcontact.com/us/products/1424398>

Approvals

🔗 To download certificates, visit the product detail page: <https://www.phoenixcontact.com/us/products/1424398>

DNV

Approval ID: TAE000037S

1424398

<https://www.phoenixcontact.com/us/products/1424398>

Classifications

ECLASS

| | |
|-------------|----------|
| ECLASS-13.0 | 27440202 |
| ECLASS-15.0 | 27440202 |

ETIM

| | |
|-----------|----------|
| ETIM 10.0 | EC000437 |
|-----------|----------|

UNSPSC

| | |
|-------------|----------|
| UNSPSC 21.0 | 31261500 |
|-------------|----------|

1424398

<https://www.phoenixcontact.com/us/products/1424398>

Environmental product compliance

EU RoHS

| | |
|---|--------------------|
| Fulfills EU RoHS substance requirements | Yes, No exemptions |
|---|--------------------|

China RoHS

| | |
|--|--|
| Environment friendly use period (EFUP) | EFUP-E |
| | No hazardous substances above the limits |

EU REACH SVHC

| | |
|-------------------------------------|----------------------------|
| REACH candidate substance (CAS No.) | No substance above 0.1 wt% |
|-------------------------------------|----------------------------|

Phoenix Contact 2026 © - all rights reserved
<https://www.phoenixcontact.com>

Phoenix Contact USA
586 Fulling Mill Road
Middletown, PA 17057, United States
(+717) 944-1300
info@phoenixcon.com