

HC-CIF-B06-24-AEWL-PL-BK - Connection element



1424342

<https://www.phoenixcontact.com/us/products/1424342>

Please be informed that the data shown in this PDF document is generated from our online catalog. Please find the complete data in the user documentation. Our general terms of use for downloads are valid.

Connection element, design: B6 - B24



Commercial data

| | |
|--------------------------------------|---------------|
| Item number | 1424342 |
| Packing unit | 1 pc |
| Minimum order quantity | 1 pc |
| Sales key | BF60 |
| Product key | AF7AHZ |
| GTIN | 4055626370798 |
| Weight per piece (including packing) | 20.9 g |
| Weight per piece (excluding packing) | 20 g |
| Customs tariff number | 85389099 |
| Country of origin | CN |

1424342

<https://www.phoenixcontact.com/us/products/1424342>

Technical data

Product properties

| | |
|--------------|-------------------------------------|
| Product type | Adapter |
| Application | Adapter for DIN rail mounting frame |

Material specifications

| | |
|----------|----|
| Material | PA |
|----------|----|

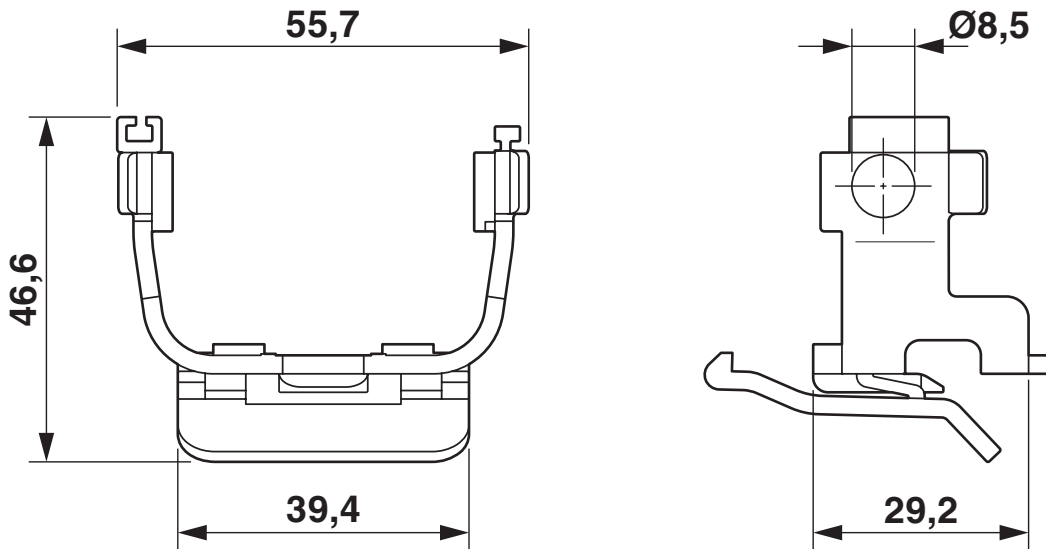
Environmental and real-life conditions

Ambient conditions

| | |
|---------------------------------|-------------------|
| Ambient temperature (operation) | -40 °C ... 125 °C |
|---------------------------------|-------------------|

Drawings

Dimensional drawing



Dimensional drawing

1424342

<https://www.phoenixcontact.com/us/products/1424342>

Classifications

ECLASS

| | |
|-------------|----------|
| ECLASS-13.0 | 27440192 |
| ECLASS-15.0 | 27440192 |

ETIM

| | |
|-----------|----------|
| ETIM 10.0 | EC002943 |
|-----------|----------|

UNSPSC

| | |
|-------------|----------|
| UNSPSC 21.0 | 39121400 |
|-------------|----------|

1424342

<https://www.phoenixcontact.com/us/products/1424342>

Environmental product compliance

EU RoHS

| | |
|---|--------------------|
| Fulfills EU RoHS substance requirements | Yes, No exemptions |
|---|--------------------|

China RoHS

| | |
|--|--|
| Environment friendly use period (EFUP) | EFUP-E |
| | No hazardous substances above the limits |

EU REACH SVHC

| | |
|-------------------------------------|----------------------------|
| REACH candidate substance (CAS No.) | No substance above 0.1 wt% |
|-------------------------------------|----------------------------|

EF3.1 Climate Change

| | |
|---------|---------------|
| CO2e kg | 0.262 kg CO2e |
|---------|---------------|

Phoenix Contact 2026 © - all rights reserved
<https://www.phoenixcontact.com>

Phoenix Contact USA
586 Fulling Mill Road
Middletown, PA 17057, United States
(+717) 944-1300
info@phoenixcon.com