

HC-M-02-PT-F - Contact insert module



1424222

<https://www.phoenixcontact.com/us/products/1424222>

Please be informed that the data shown in this PDF document is generated from our online catalog. Please find the complete data in the user documentation. Our general terms of use for downloads are valid.



Contact insert module, number of positions: 2, power contacts: 2, control contacts: 0, Socket, Push-in connection, 830 V, 40 A, 2.5 mm² ... 6 mm², application: Power

Your advantages

- Easy installation without tools, even when mounted, with push-in connection technology
- Shortest installation time compared to other connection technologies
- Quick and effortless wiring, in particular when space is tight
- Automatic cabling with robots possible
- Safe wiring and operation with color-coded actuators
- Shock and vibration-resistant in accordance with DIN EN 61373

Commercial data

Item number	1424222
Packing unit	1 pc
Minimum order quantity	1 pc
Sales key	BF62
Product key	AF7ACE
GTIN	4055626369532
Weight per piece (including packing)	23.8 g
Weight per piece (excluding packing)	22.22 g
Customs tariff number	85366990
Country of origin	CN

Technical data

Mounting

Assembly note	To ensure correct use, installation in housing with IP54 protection or better is required
---------------	---

Product properties

Product type	Modular contact insert
Series	HC-M-02
Application	Power
Number of positions	2
Connection profile	2
Number of module slots	1
No. of power contacts	2
No. of control contacts	0
Contact material type	rolled

Insulation characteristics

Overvoltage category	III
Degree of pollution	3

Connection data

Connection technology

Connection technology	Push-in connection
Connection in acc. with standard	IEC / EN

Conductor connection

Conductor cross-section	2.5 mm ² ... 6 mm ²
Connection cross section AWG	14 ... 10
Stripping length of the individual wire	9.6 mm

Dimensions

Mechanical characteristics

Minimum housing height	72 mm
Contact diameter	4 mm

Electrical properties

Rated voltage (III/2) contacts	1000 V
Rated voltage (III/3)	830 V
Rated surge voltage (III/2)	8 kV
Rated surge voltage (III/3)	8 kV
Rated surge voltage	8 kV
Rated current	40 A

HC-M-02-PT-F - Contact insert module



1424222

<https://www.phoenixcontact.com/us/products/1424222>

Mechanical properties

Mechanical data

Insertion/withdrawal cycles	≥ 500
-----------------------------	-------

Material specifications

Flammability rating according to UL 94	V0
Contact material	Copper alloy
Contact surface material	Ag
Contact carrier material	PC
Standards/regulations	PC

Environmental and real-life conditions

Ambient conditions

Ambient temperature (operation)	-40 °C ... 125 °C
---------------------------------	-------------------

Standards and regulations

Testing

Standards/regulations	PC: Fire protection in rail vehicles - requirement sets R22, R23, and R24 acc. to DIN EN 45545-2 (Risk level HL1 - HL3)
-----------------------	---

HC-M-02-PT-F - Contact insert module

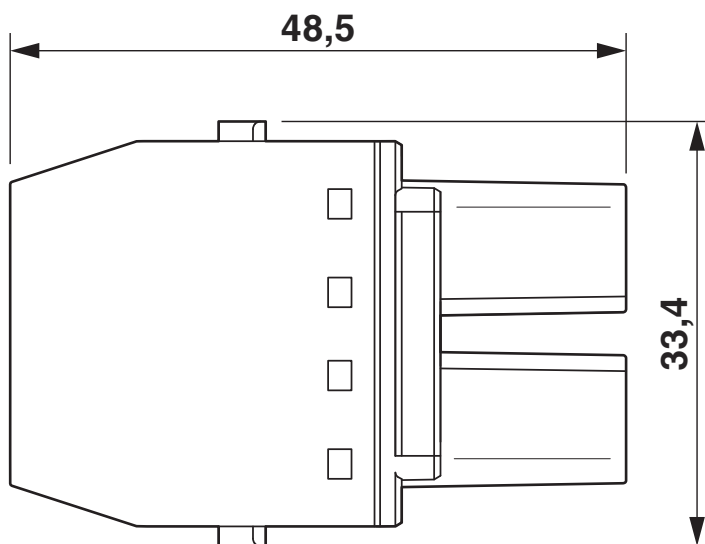
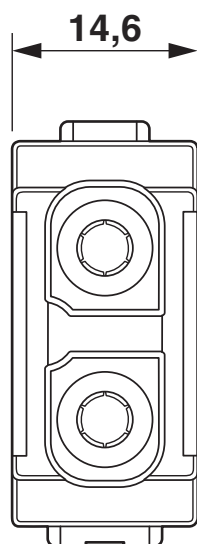


1424222

<https://www.phoenixcontact.com/us/products/1424222>

Drawings

Dimensional drawing



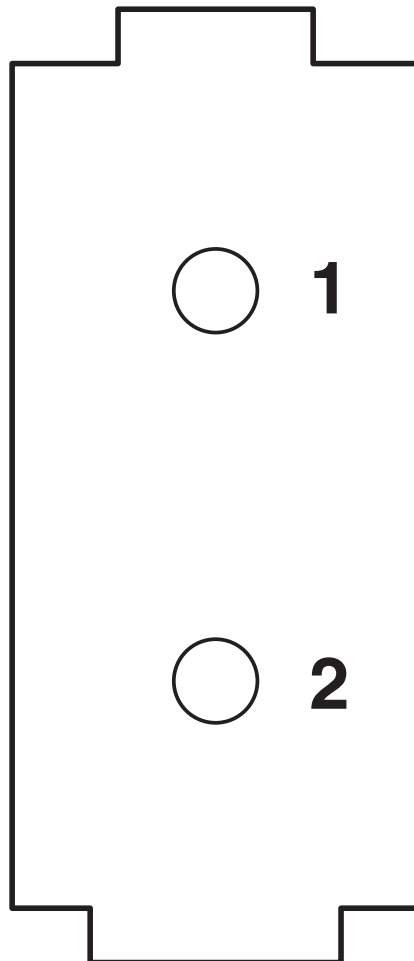
Dimensional drawing

HC-M-02-PT-F - Contact insert module

1424222

<https://www.phoenixcontact.com/us/products/1424222>

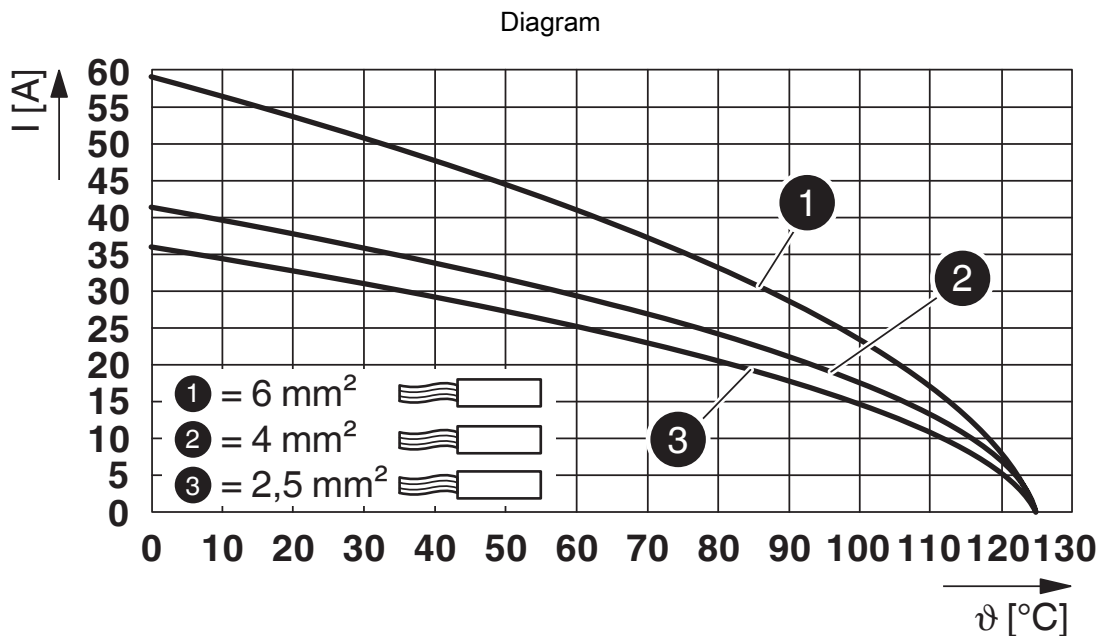
Schematic diagram



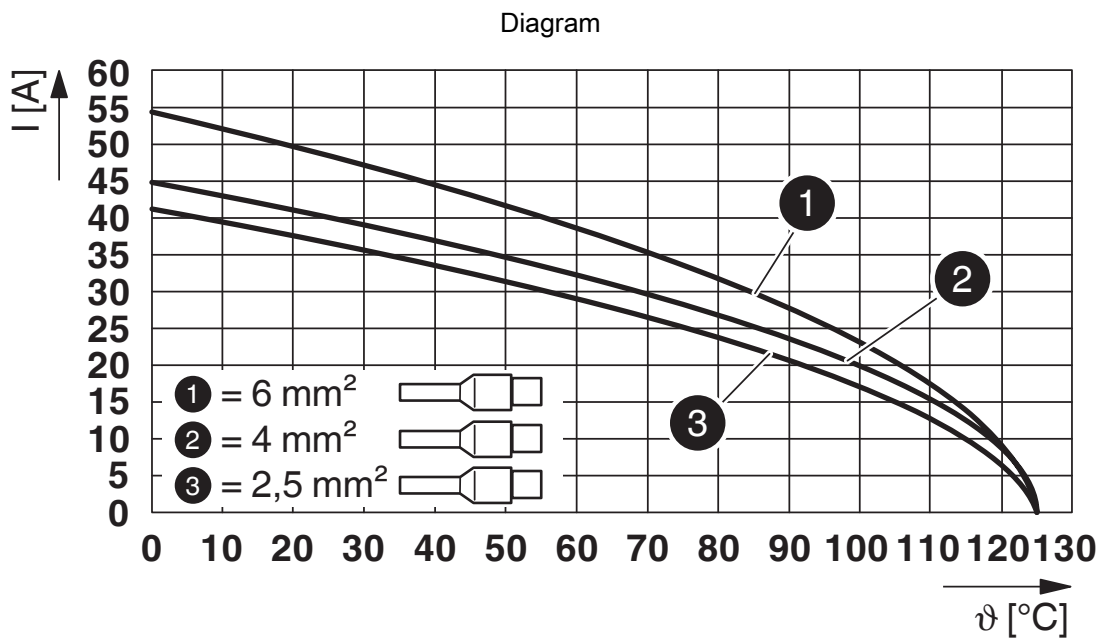
Connector pin assignment, connection side

1424222

<https://www.phoenixcontact.com/us/products/1424222>



Derating diagram for flexible conductors



Derating diagram for flexible conductors with ferrule

HC-M-02-PT-F - Contact insert module




1424222

<https://www.phoenixcontact.com/us/products/1424222>

Approvals

To download certificates, visit the product detail page: <https://www.phoenixcontact.com/us/products/1424222>

 cULus Recognized Approval ID: E468743				
	Nominal voltage U_N	Nominal current I_N	Cross section AWG	Cross section mm^2
keine				
	600 V	30 A	- 10	-

HC-M-02-PT-F - Contact insert module



1424222

<https://www.phoenixcontact.com/us/products/1424222>

Classifications

ECLASS

ECLASS-13.0	27440217
ECLASS-15.0	27440217

ETIM

ETIM 10.0	EC000438
-----------	----------

UNSPSC

UNSPSC 21.0	39121400
-------------	----------

HC-M-02-PT-F - Contact insert module



1424222

<https://www.phoenixcontact.com/us/products/1424222>

Environmental product compliance

EU RoHS

Fulfills EU RoHS substance requirements	Yes, No exemptions
---	--------------------

China RoHS

Environment friendly use period (EFUP)	EFUP-E
	No hazardous substances above the limits

EU REACH SVHC

REACH candidate substance (CAS No.)	No substance above 0.1 wt%
-------------------------------------	----------------------------

Phoenix Contact 2026 © - all rights reserved
<https://www.phoenixcontact.com>

Phoenix Contact USA
586 Fulling Mill Road
Middletown, PA 17057, United States
(+717) 944-1300
info@phoenixcon.com