

SAC-2P- 6,0-PUR/DTFS - Sensor/actuator cable



1424166

<https://www.phoenixcontact.com/us/products/1424166>

Please be informed that the data shown in this PDF document is generated from our online catalog. Please find the complete data in the user documentation. Our general terms of use for downloads are valid.

Sensor/actuator cable, 2-position, PUR halogen-free, black-gray RAL 7021, cable length: 6 m



Commercial data

Item number	1424166
Packing unit	1 pc
Minimum order quantity	100 pc
Product key	AF1DWA
GTIN	4055626368405
Weight per piece (including packing)	212 g
Weight per piece (excluding packing)	22.22 g
Country of origin	PL

SAC-2P- 6,0-PUR/DTFS - Sensor/actuator cable

1424166

<https://www.phoenixcontact.com/us/products/1424166>

Technical data

Product properties

Product type	Sensor/actuator cable
Number of positions	2

Material specifications

Material of grip body	TPU
-----------------------	-----

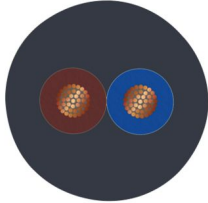
Electrical properties

Nominal voltage U_N	48 V AC
	48 V DC

Cable/line

Cable length	6 m
--------------	-----

PUR halogen-free black [PUR]

Dimensional drawing	
Cable weight	33 kg/km
UL AWM Style	20549 / 10493 (80°C/300 V)
Number of positions	2
Shielded	no
Cable type	PUR halogen-free black [PUR]
Conductor structure signal line	42x 0.15 mm
AWG signal line	18
Conductor cross-section	2x 0.75 mm ² (Signal line)
Wire diameter incl. insulation	1.69 mm ±0.05 mm (Signal line)
External cable diameter	4.80 mm ±0.15 mm
Outer sheath, material	PUR
External sheath, color	black-gray RAL 7021
Conductor material	Bare Cu litz wires
Material wire insulation	PP
Single wire, color	brown, blue
Thickness, insulation	≥ 0.21 mm
Thickness, outer sheath	≥ 0.38 mm
Overall twist	2 wires, twisted
Max. conductor resistance	≤ 26 Ω/km (at 20 °C)

SAC-2P- 6,0-PUR/DTFS - Sensor/actuator cable



1424166

<https://www.phoenixcontact.com/us/products/1424166>

Insulation resistance	≥ 1 GΩ*km (at 20 °C)
Nominal voltage, cable	≤ 300 V AC
Test voltage	≥ 3000 V AC (Spark test)
Minimum bending radius, fixed installation	5 x D
Minimum bending radius, flexible installation	10 x D
Smallest bending radius, fixed installation	24 mm
Smallest bending radius, movable installation	48 mm
Dynamic load capacity (bending)	Max. bending cycles: 4000000, Bending radius: 48 mm, Traversing path: 10 m, Traversing rate: 3 m/s, Acceleration: 10 m/s ²
Halogen-free	in accordance with DIN VDE 0472 part 815
	in accordance with DIN EN 50267-2-1
Flame resistance	according to UL 758/1581 (horizontal)
	in accordance with UL 758/1581 FT2
	according to DIN EN 60332-2-2
Resistance to oil	According to DIN EN 60811-2-1, 168 h at 100°C
	according to UL 758, 168 h at 60 °C
Other resistance	hydrolysis and microbe resistant
	partly UV-resistant (in accordance with DIN EN ISO 4892-2-A)
	Low adhesion
	abrasion-resistant
Special properties	flexible
	Flexible cable conduit capable
Ambient temperature (operation)	-40 °C ... 80 °C (cable, fixed installation)
	-25 °C ... 80 °C (Cable, flexible installation)

SAC-2P- 6,0-PUR/DTFS - Sensor/actuator cable

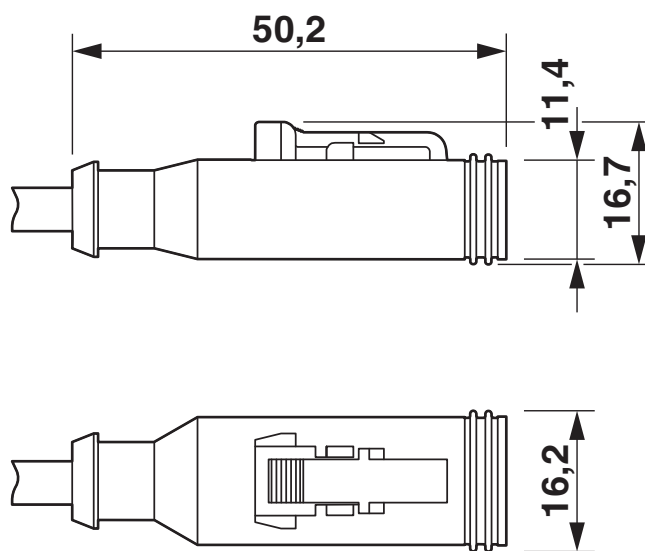
1424166

<https://www.phoenixcontact.com/us/products/1424166>



Drawings

Dimensional drawing



SAC-2P- 6,0-PUR/DTFS - Sensor/actuator cable



1424166

<https://www.phoenixcontact.com/us/products/1424166>

Classifications

ECLASS

ECLASS-13.0	27060311
ECLASS-15.0	27060311

UNSPSC

UNSPSC 21.0	31251501
-------------	----------

Phoenix Contact 2026 © - all rights reserved

<https://www.phoenixcontact.com>

Phoenix Contact USA
586 Fulling Mill Road
Middletown, PA 17057, United States
(+717) 944-1300
info@phoenixcon.com