

# QPD T3PE2,5 3X6-10 BK - T distributor



1424045

<https://www.phoenixcontact.com/us/products/1424045>

Please be informed that the data shown in this PDF document is generated from our online catalog. Please find the complete data in the user documentation. Our general terms of use for downloads are valid.



T distributor, connection method: IDC connection, number of positions: 3+PE, 1 mm<sup>2</sup> ... 2.5 mm<sup>2</sup>, 690 V, 20 A, PA, black, With three QUICKON nuts, coding: Coding profile, external cable diameter: 6 mm ... 10 mm

## Your advantages

- Innovative and time saving - QUICKON fast connection for time saving of up to 80 % for on-site connection
- Robust throughout: housing with IP68/IP69K and IK07 protection for a wide range of applications
- Safer connection with mechanical coding to protect against mismatching, and touch-proof protection in accordance with DIN EN 0105
- Flexible and compact - by connecting connections internally, H and T-distributors can be used to branch master cables or they can be used as star distributors

## Commercial data

Item number	1424045
Packing unit	1 pc
Minimum order quantity	1 pc
Sales key	BF50
Product key	AF6DBB
GTIN	4055626366470
Weight per piece (including packing)	172.3 g
Weight per piece (excluding packing)	173.3 g
Customs tariff number	85444290
Country of origin	PL

# QPD T3PE2,5 3X6-10 BK - T distributor

1424045

<https://www.phoenixcontact.com/us/products/1424045>

## Technical data

### Product properties

Product type	Power distributor
Product family	QPD
Type	T distributor
Number of positions	4
Connection profile	3+PE
Position marking	1, 2, 3, PE
Number of connections	3
No. of cable outlets	3
Coding	Coding profile

### Insulation characteristics

Overvoltage category	III
Degree of pollution	3

### Connection data

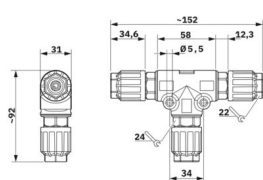
#### Connection technology

Connection method	IDC connection
Frequency of connections between conductors of the same cross section	max. 10

#### Conductor connection

Conductor cross-section flexibel	1 mm <sup>2</sup> ... 2.5 mm <sup>2</sup>
Conductor cross-section solid	1 mm <sup>2</sup> ... 2.5 mm <sup>2</sup>
Connection cross section AWG	16 ... 14
Tightening torque Union nut	10 Nm
Wrench size Union nut	22 mm

### Dimensions

Dimensional drawing	
Width	92 mm
Height	31 mm
Length	152 mm

### Electrical properties

Rated surge voltage (II/2)	6 kV
Rated surge voltage (III/2)	6 kV

# QPD T3PE2,5 3X6-10 BK - T distributor



1424045

<https://www.phoenixcontact.com/us/products/1424045>

Rated surge voltage (III/3)	6 kV
Rated current	20 A
Contact resistance	< 3 mΩ
rated voltage (II/2)	1000 V
rated voltage (III/2)	690 V
Rated voltage (III/3)	690 V
Nominal voltage $U_N$	690 V AC
	690 V DC
Nominal current $I_N$	20 A

## Mechanical properties

### Mechanical data

Insertion/withdrawal cycles	max. 50
-----------------------------	---------

## Material specifications

Color	black (RAL 9005)
Material Housing	PA
Material Contact	Cu
Material Contact surface	silver-plated
Flammability rating according to UL 94	V0
Material wire insulation	PVC/PE/TPE/rubber

## Cable/line

Structure of individual litz in acc. with VDE 0295 / smallest wire diameter	VDE 0295 class 1 to 6/min. 0.15 mm
External cable diameter	6 mm ... 10 mm
Wire diameter including insulation	2 mm ... 3.6 mm
Position marking	1, 2, 3, PE
Material wire insulation	PVC/PE/TPE/rubber
Halogen-free	yes

## Environmental and real-life conditions

### Ambient conditions

Degree of protection	IP66
	IP68 (2 m / 24 h)
	IP69K (Distance from the nozzle 150 mm)
	Touch-proof when not plugged in (IP2X)
Impact strength	IK07 (-25 °C)
Ambient temperature (operation)	-40 °C ... 100 °C
Temperature when conductor connected	-5 °C ... 50 °C
Ambient temperature (storage/transport)	-40 °C ... 100 °C

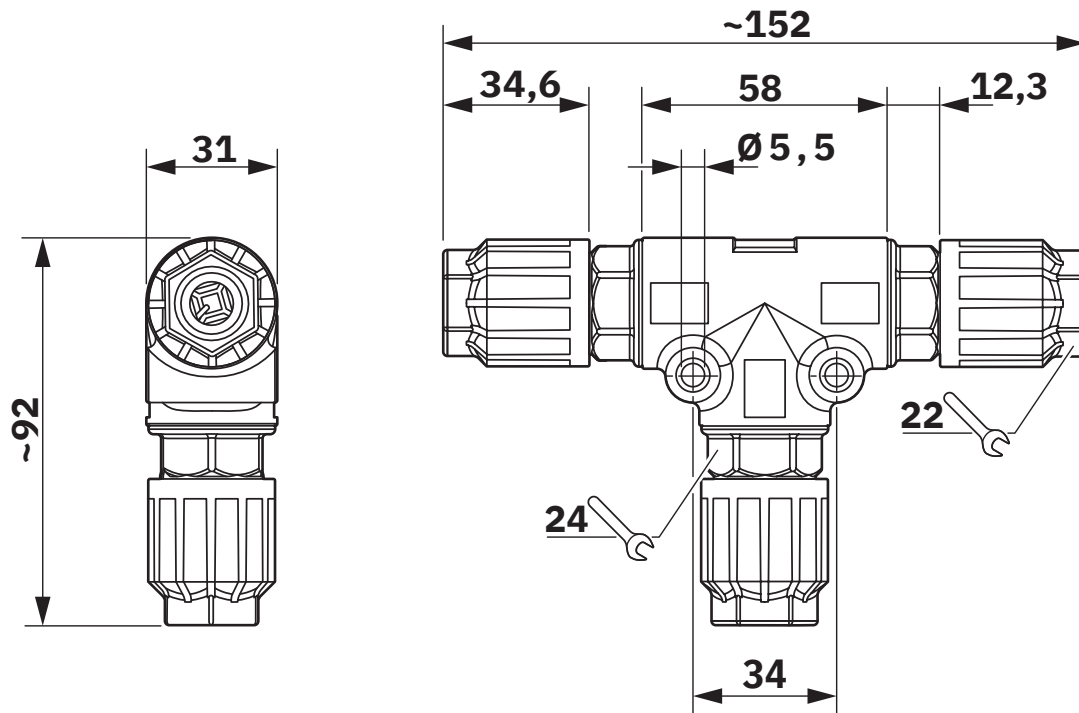
# QPD T3PE2,5 3X6-10 BK - T distributor

1424045

<https://www.phoenixcontact.com/us/products/1424045>

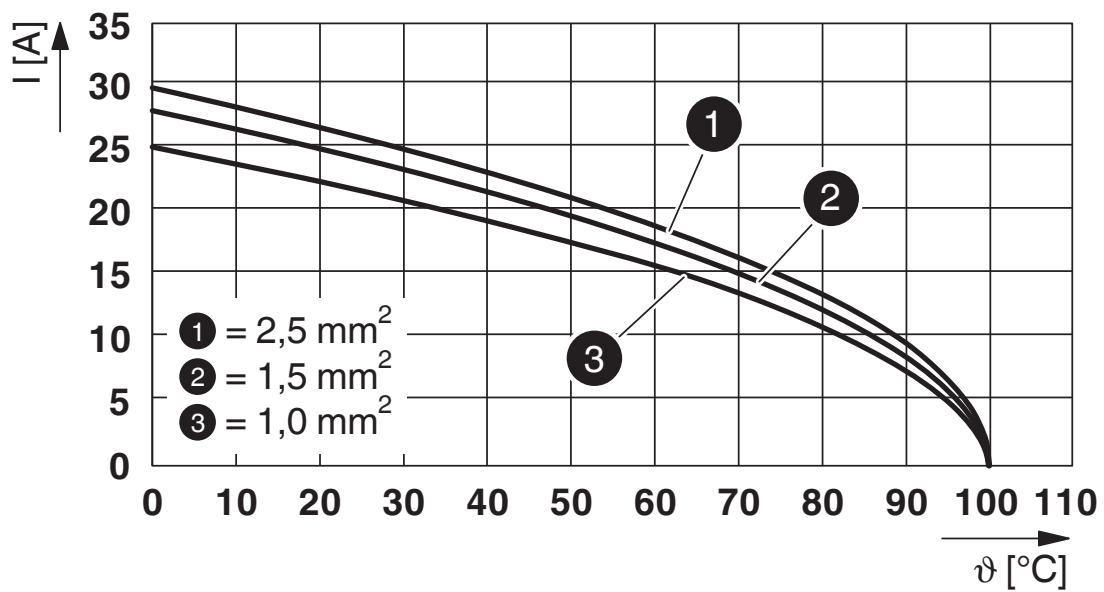
## Drawings

Dimensional drawing



Dimensional drawing

Diagram

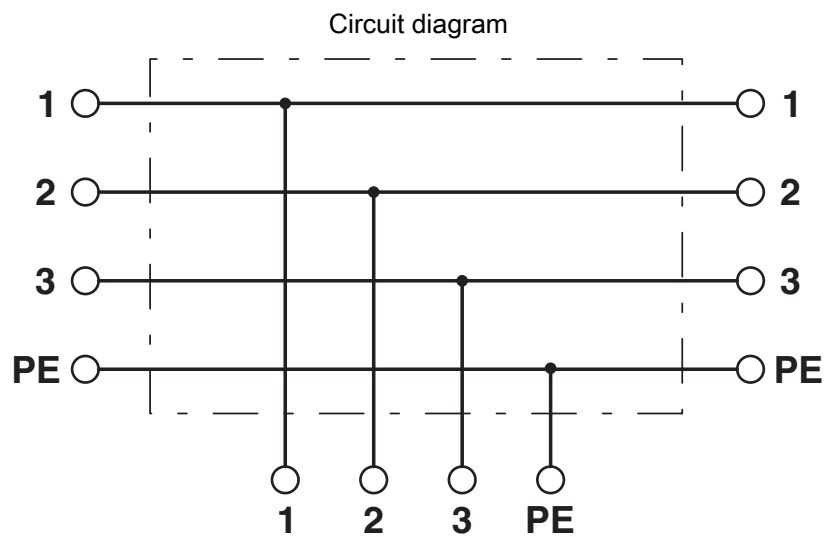


Derating diagram

# QPD T3PE2,5 3X6-10 BK - T distributor

1424045

<https://www.phoenixcontact.com/us/products/1424045>



# QPD T3PE2,5 3X6-10 BK - T distributor



1424045

<https://www.phoenixcontact.com/us/products/1424045>

## Approvals

To download certificates, visit the product detail page: <https://www.phoenixcontact.com/us/products/1424045>



**IECEE CB Scheme**

Approval ID: DE1-65875



**DNV GL**

Approval ID: TAE00003J5



**VDE Zeichengenehmigung**

Approval ID: 40029149



**UL Listed**

Approval ID: E468743



**cUL Listed**

Approval ID: E468743

# QPD T3PE2,5 3X6-10 BK - T distributor



1424045

<https://www.phoenixcontact.com/us/products/1424045>

## Classifications

### ECLASS

ECLASS-13.0	27440603
ECLASS-15.0	27440603

### ETIM

ETIM 10.0	EC002567
-----------	----------

### UNSPSC

UNSPSC 21.0	39121400
-------------	----------

1424045

<https://www.phoenixcontact.com/us/products/1424045>

## Environmental product compliance

### EU RoHS

Fulfills EU RoHS substance requirements	Yes, No exemptions
-----------------------------------------	--------------------

### China RoHS

Environment friendly use period (EFUP)	EFUP-E
	No hazardous substances above the limits

### EU REACH SVHC

REACH candidate substance (CAS No.)	No substance above 0.1 wt%
-------------------------------------	----------------------------

### EF3.1 Climate Change

CO2e kg	2.855 kg CO2e
---------	---------------

Phoenix Contact 2026 © - all rights reserved  
<https://www.phoenixcontact.com>

Phoenix Contact USA  
586 Fulling Mill Road  
Middletown, PA 17057, United States  
(+717) 944-1300  
[info@phoenixcon.com](mailto:info@phoenixcon.com)