

QPD CW3PE2,5 2X6-10 BK - Conductor connector



1424038

<https://www.phoenixcontact.com/us/products/1424038>

Please be informed that the data shown in this PDF document is generated from our online catalog. Please find the complete data in the user documentation. Our general terms of use for downloads are valid.



Conductor connector, connection method: IDC connection/ IDC connection, number of positions: 3+PE, 1 mm² ... 2.5 mm², 690 V, 20 A, PA, black, With two QUICKON nuts, coding: Coding profile, external cable diameter: 6 mm ... 10 mm

Your advantages

- Innovative and time saving - QUICKON fast connection for time saving of up to 80 % for on-site connection
- Robust throughout: housing with IP68/IP69K and IK07 protection for a wide range of applications
- Safer connection with mechanical coding to protect against mismatching, and touch-proof protection in accordance with DIN EN 0105
- Easy and safe - with the cable connector, you can repair or extend cables quickly, in combination with the connector as well as the coupling connection

Commercial data

Item number	1424038
Packing unit	1 pc
Minimum order quantity	1 pc
Sales key	BF50
Product key	AF6CBB
GTIN	4055626366401
Weight per piece (including packing)	71.9 g
Weight per piece (excluding packing)	22.22 g
Customs tariff number	85366990
Country of origin	PL

QPD CW3PE2,5 2X6-10 BK - Conductor connector



1424038

<https://www.phoenixcontact.com/us/products/1424038>

Technical data

Product properties

Product type	Cable connector
Product family	QPD
Type	QPD 4x2,5
Number of positions	4
Connection profile	3+PE
Position marking	1, 2, 3, PE
Number of connections per position	1
Coding	Coding profile

Insulation characteristics

Overvoltage category	III
Degree of pollution	3

Dimensions

Dimensional drawing	
Width	39 mm
Height	39 mm
Length	100 mm
Diameter	39 mm

Connection data

Connection technology

Frequency of connections between conductors of the same cross section	max. 10
---	---------

Conductor connection

Tightening torque	10 Nm
	5 Nm
Tightening torque Union nut	10 Nm
Tightening torque Locking nut	5 Nm

Electrical properties

Rated surge voltage (II/2)	6 kV
Rated surge voltage (III/2)	6 kV
Rated surge voltage (III/3)	6 kV
Rated current	20 A
Contact resistance	< 3 mΩ
rated voltage (II/2)	1000 V

QPD CW3PE2,5 2X6-10 BK - Conductor connector



1424038

<https://www.phoenixcontact.com/us/products/1424038>

rated voltage (III/2)	690 V
Rated voltage (III/3)	690 V
Nominal voltage U_N	690 V AC
	690 V DC
Nominal current I_N	20 A

Mechanical properties

Mechanical data

Insertion/withdrawal cycles	max. 50
-----------------------------	---------

Material specifications

Color	black (RAL 9005)
Material Housing	PA
Material Contact	Cu
Material Contact surface	silver-plated
Flammability rating according to UL 94	V0
Material wire insulation	PVC/PE/TPE/rubber

Cable/line

Structure of individual litz in acc. with VDE 0295 / smallest wire diameter	VDE 0295 class 1 to 6/min. 0.15 mm
External cable diameter	6 mm ... 10 mm
Wire diameter including insulation	2 mm ... 3.8 mm
Position marking	1, 2, 3, PE
Material wire insulation	PVC/PE/TPE/rubber
Halogen-free	yes

Environmental and real-life conditions

Ambient conditions

Degree of protection	IP66
	IP68 (2 m / 24 h)
	IP69K
	Touch-proof when not plugged in (IP2X)
Impact strength	IK07
Ambient temperature (operation)	-40 °C ... 100 °C
Temperature when conductor connected	-5 °C ... 50 °C
Ambient temperature (storage/transport)	-40 °C ... 100 °C

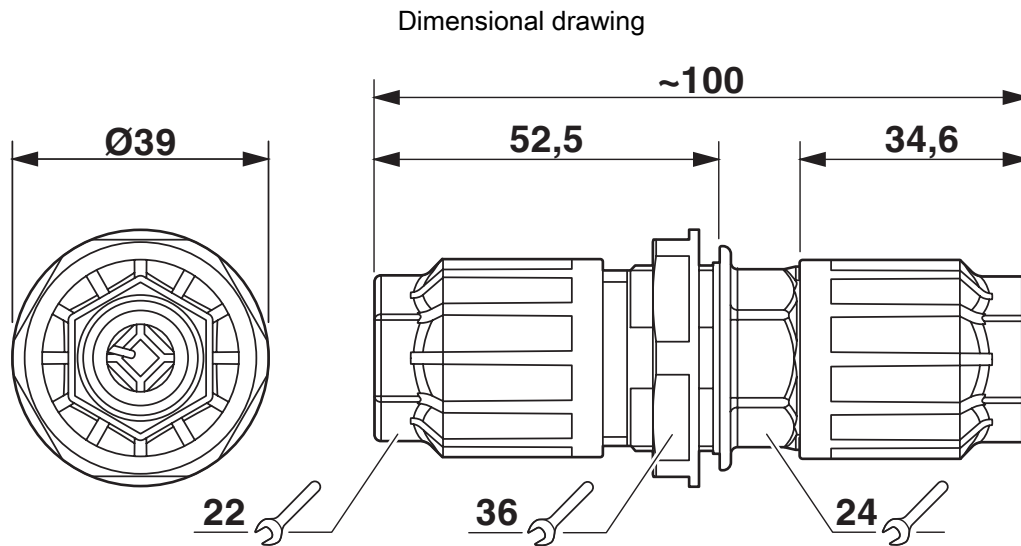
QPD CW3PE2,5 2X6-10 BK - Conductor connector



1424038

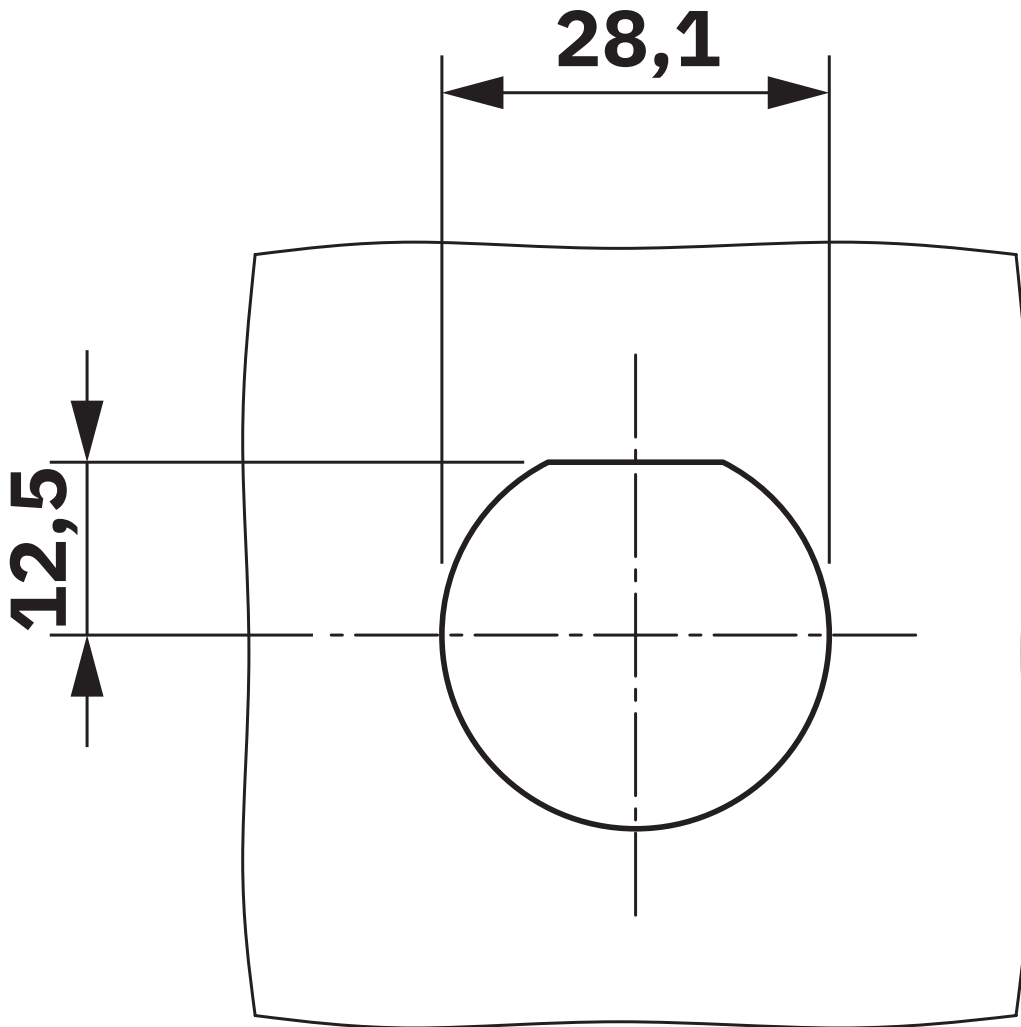
<https://www.phoenixcontact.com/us/products/1424038>

Drawings



Dimensional drawing

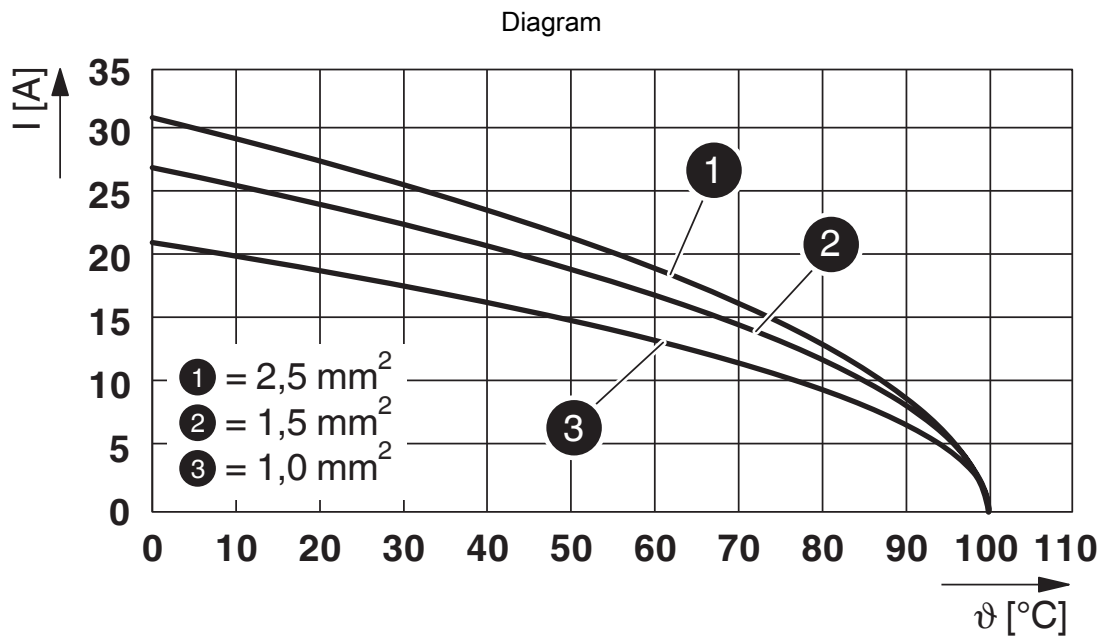
Dimensional drawing



Panel cutout

1424038

<https://www.phoenixcontact.com/us/products/1424038>



Derating diagram

QPD CW3PE2,5 2X6-10 BK - Conductor connector





1424038


<https://www.phoenixcontact.com/us/products/1424038>


Approvals

To download certificates, visit the product detail page: <https://www.phoenixcontact.com/us/products/1424038>

	IECEE CB Scheme Approval ID: DE1-65875
---	--

	VDE Zeichengenehmigung Approval ID: 40029149			
	Nominal voltage U_N	Nominal current I_N	Cross section AWG	Cross section mm^2
keine				
Only flexible conductors	400 V	20 A	-	1.5 - 2.5
Only rigid conductors	690 V	20 A	-	1.5 - 2.5

	UL Listed Approval ID: E468743			
	Nominal voltage U_N	Nominal current I_N	Cross section AWG	Cross section mm^2
keine				
	600 V	10 A	- 16	-

	cUL Listed Approval ID: E468743			
	Nominal voltage U_N	Nominal current I_N	Cross section AWG	Cross section mm^2
keine				
	600 V	10 A	- 16	-

	DNV GL Approval ID: TAE00003J5
---	--

QPD CW3PE2,5 2X6-10 BK - Conductor connector



1424038

<https://www.phoenixcontact.com/us/products/1424038>

Classifications

ECLASS

ECLASS-13.0	27440605
ECLASS-15.0	27440605

ETIM

ETIM 10.0	EC002560
-----------	----------

UNSPSC

UNSPSC 21.0	39121400
-------------	----------

QPD CW3PE2,5 2X6-10 BK - Conductor connector



1424038

<https://www.phoenixcontact.com/us/products/1424038>

Environmental product compliance

EU RoHS

Fulfills EU RoHS substance requirements	Yes, No exemptions
---	--------------------

China RoHS

Environment friendly use period (EFUP)	EFUP-E
	No hazardous substances above the limits

EU REACH SVHC

REACH candidate substance (CAS No.)	No substance above 0.1 wt%
-------------------------------------	----------------------------

EF3.1 Climate Change

CO2e kg	0.715 kg CO2e
---------	---------------

Phoenix Contact 2026 © - all rights reserved
<https://www.phoenixcontact.com>

Phoenix Contact USA
586 Fulling Mill Road
Middletown, PA 17057, United States
(+717) 944-1300
info@phoenixcon.com