

QPD N2,5 9-14 GY - Nut

1424032

<https://www.phoenixcontact.com/us/products/1424032>

Please be informed that the data shown in this PDF document is generated from our online catalog. Please find the complete data in the user documentation. Our general terms of use for downloads are valid.



Nut, connection method: IDC connection, 1 mm² ... 2.5 mm², 690 V, 20 A, PA, gray, external cable diameter: 9 mm ... 14 mm

Your advantages

- Innovative and time saving - QUICKON fast connection for time saving of up to 80 % for on-site connection
- Robust throughout: housing with IP68/IP69K and IK07 protection for a wide range of applications

Commercial data

| | |
|--------------------------------------|---------------|
| Item number | 1424032 |
| Packing unit | 1 pc |
| Minimum order quantity | 1 pc |
| Sales key | BF50 |
| Product key | AF6UCX |
| GTIN | 4055626366340 |
| Weight per piece (including packing) | 21.4 g |
| Weight per piece (excluding packing) | 21.3 g |
| Customs tariff number | 85389099 |
| Country of origin | PL |

QPD N2,5 9-14 GY - Nut

1424032

<https://www.phoenixcontact.com/us/products/1424032>

Technical data

Product properties

| | |
|-----------------------|---------------------------|
| Product type | Installation pressure nut |
| Product family | QPD |
| Type | QPD 4x2,5 |
| Number of positions | 4 |
| Position marking | 1, 2, 3, 4 |
| Number of connections | 10 |

Insulation characteristics

| | |
|----------------------|-----|
| Overvoltage category | III |
| Degree of pollution | 3 |

Electrical properties

| | |
|-----------------------------|--------|
| Rated surge voltage (II/2) | 6 kV |
| Rated surge voltage (III/2) | 6 kV |
| Rated surge voltage (III/3) | 6 kV |
| Rated current | 20 A |
| rated voltage (II/2) | 1000 V |
| rated voltage (III/2) | 690 V |
| Rated voltage (III/3) | 690 V |
| Nominal current I_N | 20 A |

Connection data

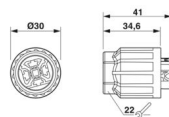
Connection technology

| | |
|---|----------------|
| Connection method On the field side | IDC connection |
| Frequency of connections between conductors of the same cross section | max. 10 |

Conductor connection

| | |
|----------------------------------|---|
| Conductor cross-section flexibel | 1 mm ² ... 2.5 mm ² |
| Conductor cross-section solid | 1 mm ² ... 2.5 mm ² |
| Connection cross section AWG | 16 ... 14 |
| Tightening torque Union nut | 10 Nm |

Dimensions

| | |
|---------------------|--|
| Dimensional drawing |  |
| Width | 30 mm |
| Height | 30 mm |
| Length | 40 mm |

QPD N2,5 9-14 GY - Nut



1424032

<https://www.phoenixcontact.com/us/products/1424032>

| | |
|----------|-------|
| Diameter | 30 mm |
|----------|-------|

Material specifications

| | |
|--|-----------------------|
| Color | light gray (RAL 7035) |
| Material Housing | PA |
| Flammability rating according to UL 94 | V0 |
| Material wire insulation | PVC/PE/TPE/rubber |
| Contact carrier material | PA |

Cable/line

| | |
|---|------------------------------------|
| Structure of individual litz in acc. with VDE 0295 / smallest wire diameter | VDE 0295 class 1 to 6/min. 0.15 mm |
| External cable diameter | 9 mm ... 14 mm |
| Wire diameter including insulation | 2 mm ... 3.6 mm |
| Position marking | 1, 2, 3, 4 |
| Material wire insulation | PVC/PE/TPE/rubber |

Environmental and real-life conditions

Ambient conditions

| | |
|---|--|
| Degree of protection | IP66 |
| | IP68 (2 m / 24 h) |
| | IP69K |
| | Touch-proof when not plugged in (IP2X) |
| Impact strength | IK07 |
| Ambient temperature (operation) | -40 °C ... 100 °C |
| Temperature when conductor connected | -5 °C ... 50 °C |
| Ambient temperature (storage/transport) | -40 °C ... 100 °C |

QPD N2,5 9-14 GY - Nut

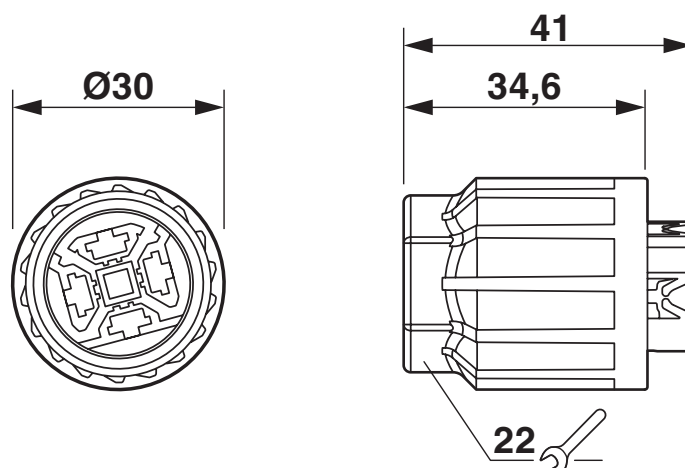
1424032

<https://www.phoenixcontact.com/us/products/1424032>



Drawings

Dimensional drawing



QPD N2,5 9-14 GY - Nut



1424032

<https://www.phoenixcontact.com/us/products/1424032>

Approvals

To download certificates, visit the product detail page: <https://www.phoenixcontact.com/us/products/1424032>



IECEE CB Scheme
Approval ID: DE1-65875



VDE Zeichengenehmigung
Approval ID: 40029149



UL Listed
Approval ID: E468743



cUL Listed
Approval ID: E468743



DNV GL
Approval ID: TAE00003J5



IECEE CB Scheme
Approval ID: DE1-65875



VDE Zeichengenehmigung
Approval ID: 40029149



cUL Listed
Approval ID: E468743



UL Listed
Approval ID: E468743



DNV GL
Approval ID: TAE00003J5

QPD N2,5 9-14 GY - Nut

1424032

<https://www.phoenixcontact.com/us/products/1424032>



Classifications

ECLASS

| | |
|-------------|----------|
| ECLASS-13.0 | 27440691 |
| ECLASS-15.0 | 27440691 |

ETIM

| | |
|-----------|----------|
| ETIM 10.0 | EC002863 |
|-----------|----------|

UNSPSC

| | |
|-------------|----------|
| UNSPSC 21.0 | 39121400 |
|-------------|----------|

QPD N2,5 9-14 GY - Nut

1424032

<https://www.phoenixcontact.com/us/products/1424032>



Environmental product compliance

EU RoHS

| | |
|---|--------------------|
| Fulfills EU RoHS substance requirements | Yes, No exemptions |
|---|--------------------|

China RoHS

| | |
|--|--|
| Environment friendly use period (EFUP) | EFUP-E |
| | No hazardous substances above the limits |

EU REACH SVHC

| | |
|-------------------------------------|----------------------------|
| REACH candidate substance (CAS No.) | No substance above 0.1 wt% |
|-------------------------------------|----------------------------|

EF3.1 Climate Change

| | |
|---------|---------------|
| CO2e kg | 0.241 kg CO2e |
|---------|---------------|

Phoenix Contact 2026 © - all rights reserved
<https://www.phoenixcontact.com>

Phoenix Contact USA
586 Fulling Mill Road
Middletown, PA 17057, United States
(+717) 944-1300
info@phoenixcon.com