

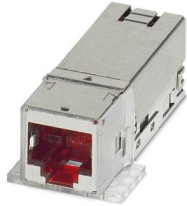
# VS-08-BU-RJ45/10G-F - RJ45 jack insert



1424009

<https://www.phoenixcontact.com/us/products/1424009>

Please be informed that the data shown in this PDF document is generated from our online catalog. Please find the complete data in the user documentation. Our general terms of use for downloads are valid.



RJ45 jack insert, degree of protection: IP20, number of positions: 8, material: Copper alloy, connection method: IDC, connection cross section: AWG 26- 22

## Commercial data

Item number	1424009
Packing unit	1 pc
Note	Made to order (non-returnable)
Sales key	NULL
Product key	ABNMAY
GTIN	4046356568609
Weight per piece (including packing)	24.4 g
Weight per piece (excluding packing)	20.8 g
Customs tariff number	85369010
Country of origin	CH

# VS-08-BU-RJ45/10G-F - RJ45 jack insert

1424009

<https://www.phoenixcontact.com/us/products/1424009>

## Technical data

### Product properties

Product type	Female insert
Number of positions	8
Connection profile	RJ45
Number of slots	1

### Insulation characteristics

Overvoltage category	I
Degree of pollution	1

### Electrical properties

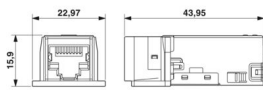
Rated voltage (III/3)	50 V
Nominal voltage $U_N$	48 V
Nominal current $I_N$	1 A
Transmission characteristics (category)	CAT6 <sub>A</sub>

### Connection data

#### Connection technology

Connection method	IDC
-------------------	-----

### Dimensions

Dimensional drawing	
Width	22.8 mm
Height	16.8 mm
Length	45 mm

### Material specifications

Flammability rating according to UL 94	V0
Housing material	Copper alloy
Contact material	CuSn

### Cable/line

External cable diameter	10 mm
-------------------------	-------

### Mechanical properties

#### Mechanical data

Insertion/withdrawal cycles	≥ 750
-----------------------------	-------

# VS-08-BU-RJ45/10G-F - RJ45 jack insert



1424009

<https://www.phoenixcontact.com/us/products/1424009>

## Environmental and real-life conditions

### Ambient conditions

Degree of protection	IP20
Ambient temperature (operation)	-10 °C ... 60 °C
Ambient temperature (storage/transport)	-40 °C ... 70 °C
Ambient temperature (assembly)	0 °C ... 60 °C

# VS-08-BU-RJ45/10G-F - RJ45 jack insert

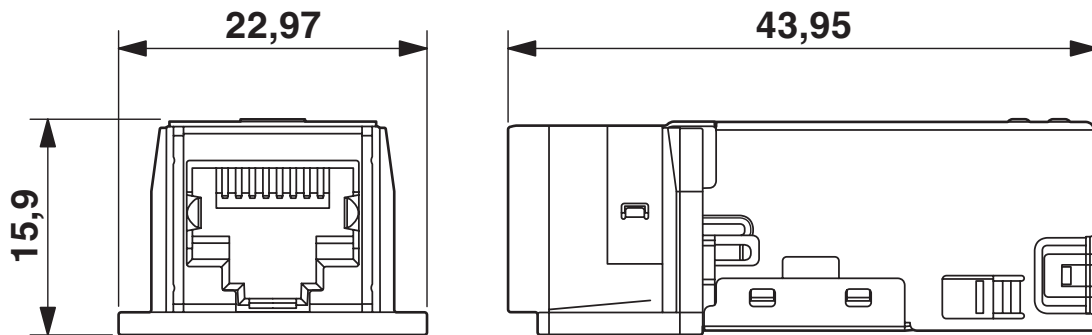


1424009

<https://www.phoenixcontact.com/us/products/1424009>

## Drawings

Dimensional drawing



RJ45 jack insert

# VS-08-BU-RJ45/10G-F - RJ45 jack insert



1424009

<https://www.phoenixcontact.com/us/products/1424009>

## Environmental product compliance

### China RoHS

Environment friendly use period (EFUP)	EFUP-E
	No hazardous substances above the limits

### EU REACH SVHC

REACH candidate substance (CAS No.)	No substance above 0.1 wt%
-------------------------------------	----------------------------

Phoenix Contact 2026 © - all rights reserved  
<https://www.phoenixcontact.com>

Phoenix Contact USA  
586 Fulling Mill Road  
Middletown, PA 17057, United States  
(+717) 944-1300  
[info@phoenixcon.com](mailto:info@phoenixcon.com)