

# QPD W3PE2,5 9-14 M25 FC BK - Panel feed-through



1423981

<https://www.phoenixcontact.com/us/products/1423981>

Please be informed that the data shown in this PDF document is generated from our online catalog. Please find the complete data in the user documentation. Our general terms of use for downloads are valid.



Panel feed-through, connection method: Spade connection/ IDC connection, number of positions: 3+PE, M25, Pin, 1 mm<sup>2</sup> ... 2.5 mm<sup>2</sup>, 690 V, 20 A, PA, black, with QUICKON nut, coding: coded, external cable diameter: 9 mm ... 14 mm, 2.5 mm<sup>2</sup>

## Your advantages

- Innovative and time saving - QUICKON fast connection for time saving of up to 80 % for on-site connection
- Robust throughout: housing with IP68/IP69K and IK07 protection for a wide range of applications
- Safer connection with mechanical coding to protect against mismatching, and touch-proof protection in accordance with DIN EN 0105
- Efficient - by using panel feed-throughs, devices no longer need to be opened in order to connect cables

## Commercial data

Item number	1423981
Packing unit	1 pc
Minimum order quantity	1 pc
Sales key	BF50
Product key	AF6ABB
GTIN	4055626365985
Weight per piece (including packing)	41.1 g
Weight per piece (excluding packing)	40 g
Customs tariff number	85366990
Country of origin	PL

# QPD W3PE2,5 9-14 M25 FC BK - Panel feed-through



1423981

<https://www.phoenixcontact.com/us/products/1423981>

## Technical data

### Product properties

Product type	Panel feed-through
Product family	QPD
Type	QPD 4x2,5
Number of positions	4
Connection profile	3+PE
Position marking	1, 2, 3, PE
Number of connections	10
Number of connections per position	1
Coding	coded

### Insulation characteristics

Overvoltage category	III
Degree of pollution	3

### Connection data

#### Connection technology

Connection method On the device side	Spade connection
Connection method On the field side	IDC connection
Frequency of connections between conductors of the same cross section	max. 10

#### Conductor connection

Conductor cross-section flexibel	1 mm <sup>2</sup> ... 2.5 mm <sup>2</sup>
Conductor cross-section solid	1 mm <sup>2</sup> ... 2.5 mm <sup>2</sup>
Connection cross section AWG	16 ... 14
Tightening torque Union nut	10 Nm
Tightening torque Locking nut	5 Nm

### Dimensions

Dimensional drawing	
Width	30 mm
Height	30 mm
Length	63 mm
Diameter	30 mm
Dimensions of slip-on connection	4.8 x 0.8 mm

### Electrical properties

Rated surge voltage (II/2)	6 kV
----------------------------	------

# QPD W3PE2,5 9-14 M25 FC BK - Panel feed-through



1423981

<https://www.phoenixcontact.com/us/products/1423981>

Rated surge voltage (III/2)	6 kV
Rated surge voltage (III/3)	6 kV
Rated current	20 A
Contact resistance	< 3 mΩ
rated voltage (II/2)	1000 V
rated voltage (III/2)	690 V
Rated voltage (III/3)	690 V
Nominal voltage U <sub>N</sub>	690 V AC 690 V DC
Nominal current I <sub>N</sub>	20 A

## Mechanical properties

### Mechanical data

Insertion/withdrawal cycles	max. 50
-----------------------------	---------

## Material specifications

Color	black (RAL 9005)
Material Housing	PA
Material Contact	Cu
Material Contact surface	silver-plated
Material Seal	NBR
Flammability rating according to UL 94	V0
Material wire insulation	PVC/PE/TPE/rubber

## Cable/line

Structure of individual litz in acc. with VDE 0295 / smallest wire diameter	VDE 0295 class 1 to 6/min. 0.15 mm
External cable diameter	9 mm ... 14 mm
Wire diameter including insulation	2 mm ... 3.6 mm
Position marking	1, 2, 3, PE
Cable cross section	2.5 mm <sup>2</sup>
Material wire insulation	PVC/PE/TPE/rubber
Halogen-free	yes

## Mounting

Mounting type	Front mounting M25
---------------	--------------------

## Environmental and real-life conditions

### Ambient conditions

Degree of protection	IP66 IP68 (2 m / 24 h) IP69K Touch-proof when not plugged in (IP2X)
Impact strength	IK07

# QPD W3PE2,5 9-14 M25 FC BK - Panel feed-through



1423981

<https://www.phoenixcontact.com/us/products/1423981>

Ambient temperature (operation)	-40 °C ... 100 °C
Temperature when conductor connected	-5 °C ... 50 °C
Ambient temperature (storage/transport)	-40 °C ... 100 °C

# QPD W3PE2,5 9-14 M25 FC BK - Panel feed-through

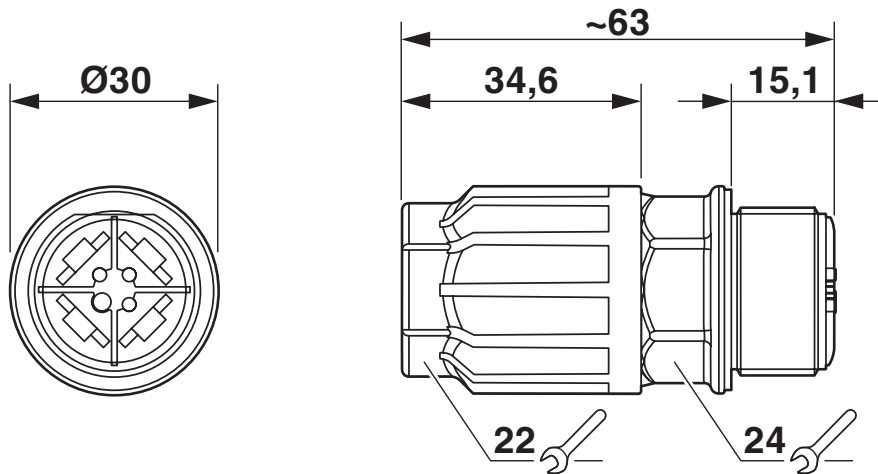


1423981

<https://www.phoenixcontact.com/us/products/1423981>

## Drawings

Dimensional drawing



Dimensional drawing



Panel cutout

1423981

<https://www.phoenixcontact.com/us/products/1423981>



Derating diagram

1423981

<https://www.phoenixcontact.com/us/products/1423981>

## Approvals

To download certificates, visit the product detail page: <https://www.phoenixcontact.com/us/products/1423981>



**IECEE CB Scheme**  
Approval ID: DE1-65875



**VDE Zeichengenehmigung**  
Approval ID: 40029149



**UL Listed**  
Approval ID: E468743



**cUL Listed**  
Approval ID: E468743



**DNV GL**  
Approval ID: TAE00003J5



**IECEE CB Scheme**  
Approval ID: DE1-65875



**VDE Zeichengenehmigung**  
Approval ID: 40029149



**cUL Listed**  
Approval ID: E468743



**UL Listed**  
Approval ID: E468743



**DNV GL**  
Approval ID: TAE00003J5

1423981

<https://www.phoenixcontact.com/us/products/1423981>

## Classifications

### ECLASS

ECLASS-13.0	27440602
ECLASS-15.0	27440602

### ETIM

ETIM 10.0	EC002566
-----------	----------

### UNSPSC

UNSPSC 21.0	39121500
-------------	----------

1423981

<https://www.phoenixcontact.com/us/products/1423981>

## Environmental product compliance

### EU RoHS

Fulfills EU RoHS substance requirements	Yes, No exemptions
---	--------------------

### China RoHS

Environment friendly use period (EFUP)	EFUP-E
	No hazardous substances above the limits

### EU REACH SVHC

REACH candidate substance (CAS No.)	No substance above 0.1 wt%
-------------------------------------	----------------------------

### EF3.1 Climate Change

CO2e kg	0.471 kg CO2e
---------	---------------

Phoenix Contact 2026 © - all rights reserved  
<https://www.phoenixcontact.com>

Phoenix Contact USA  
586 Fulling Mill Road  
Middletown, PA 17057, United States  
(+717) 944-1300  
[info@phoenixcon.com](mailto:info@phoenixcon.com)