

# CC1,0-TS-1,00M AU - Crimp contact



1423645

<https://www.phoenixcontact.com/us/products/1423645>

Please be informed that the data shown in this PDF document is generated from our online catalog. Please find the complete data in the user documentation. Our general terms of use for downloads are valid.



Crimp contact, Pin, turned, contact diameter: 1 mm, connection cross section: 0.34 mm<sup>2</sup> ... 1 mm<sup>2</sup>, AWG 22...18, contact material: CuZn

## Commercial data

Item number	1423645
Packing unit	100 pc
Minimum order quantity	100 pc
Sales key	BF34
Product key	AF2CJN
GTIN	4055626363318
Weight per piece (including packing)	0.169 g
Weight per piece (excluding packing)	0.154 g
Customs tariff number	85366990
Country of origin	DE

# CC1,0-TS-1,00M AU - Crimp contact



1423645

<https://www.phoenixcontact.com/us/products/1423645>

## Technical data

### Mounting

Mounting type	Snap in
---------------	---------

### Product properties

Product type	Crimp contact
Contact material type	turned

### Connection data

#### Connection technology

Contact connection type	Pin
Connection method	Crimp connection

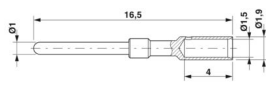
#### Conductor connection

Stripping length	4 mm +0,5 mm
Connection cross section (flexible)	0.34 mm <sup>2</sup> ... 1 mm <sup>2</sup>
Connection cross section AWG (flexible)	22 ... 18

### Material specifications

Material Contact	CuZn
Material Contact surface	Ni/Au

### Dimensions

Dimensional drawing	
Diameter (Contact diameter)	1 mm

### Mechanical properties

#### Mechanical data

Insertion/withdrawal cycles	≥ 100
-----------------------------	-------

### Environmental and real-life conditions

#### Ambient conditions

Ambient temperature (operation)	-40 °C ... 85 °C
---------------------------------	------------------

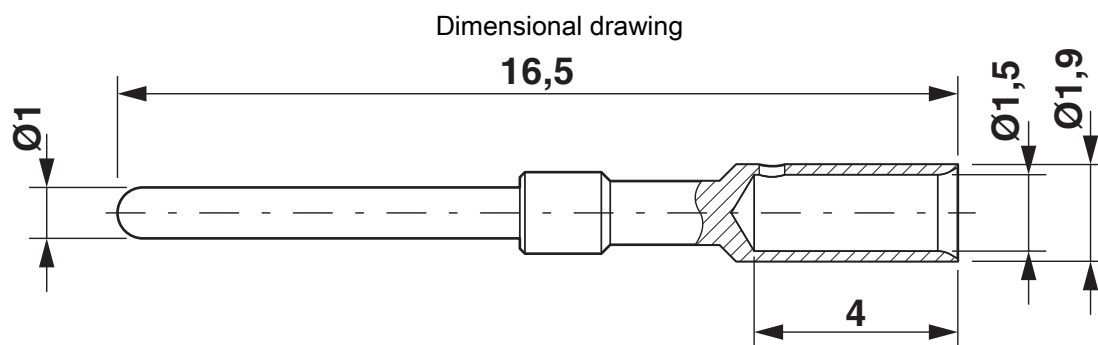
# CC1,0-TS-1,00M AU - Crimp contact



1423645

<https://www.phoenixcontact.com/us/products/1423645>

## Drawings



Crimp contact, diameter :1.0 mm

# CC1,0-TS-1,00M AU - Crimp contact



1423645

<https://www.phoenixcontact.com/us/products/1423645>

## Classifications

### ECLASS

ECLASS-13.0	27440204
ECLASS-15.0	27440204

### ETIM

ETIM 10.0	EC000796
-----------	----------

### UNSPSC

UNSPSC 21.0	39121500
-------------	----------

# CC1,0-TS-1,00M AU - Crimp contact



1423645

<https://www.phoenixcontact.com/us/products/1423645>

## Environmental product compliance

### EU RoHS

Fulfills EU RoHS substance requirements	Yes, No exemptions
---	--------------------

### China RoHS

Environment friendly use period (EFUP)	EFUP-E
	No hazardous substances above the limits

### EU REACH SVHC

REACH candidate substance (CAS No.)	No substance above 0.1 wt%
-------------------------------------	----------------------------

### EF3.1 Climate Change

CO2e kg	0.08 kg CO2e
---------	--------------

Phoenix Contact 2026 © - all rights reserved  
<https://www.phoenixcontact.com>

Phoenix Contact USA  
586 Fulling Mill Road  
Middletown, PA 17057, United States  
(+717) 944-1300  
[info@phoenixcon.com](mailto:info@phoenixcon.com)