

# HC-Q-I-RJ45 GC-F/F - Contact insert



1422590

<https://www.phoenixcontact.com/us/products/1422590>

Please be informed that the data shown in this PDF document is generated from our online catalog. Please find the complete data in the user documentation. Our general terms of use for downloads are valid.



Contact insert, number of positions: RJ45, size: D7, type : RJ45, Socket, 50 V, 1 A, application: Data, Gender changer

## Your advantages

- Shock and vibration-resistant in accordance with DIN EN 61373

## Commercial data

Item number	1422590
Packing unit	1 pc
Minimum order quantity	1 pc
Sales key	BF61
Product key	AF7ABJ
GTIN	4055626328393
Weight per piece (including packing)	17.8 g
Weight per piece (excluding packing)	15 g
Customs tariff number	85366990
Country of origin	CN

# HC-Q-I-RJ45 GC-F/F - Contact insert

1422590

<https://www.phoenixcontact.com/us/products/1422590>

## Technical data

### Notes

General	Use the patch cable from the accessories list.
General	Connectors may be operated only when there is no load/voltage.

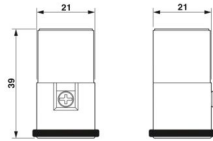
### Product properties

Product type	Contact insert with a fixed no. of positions
Series	HC-Q
Application	Data
Type	D7
Sensor type	Ethernet
Number of positions	8
Connection profile	RJ45

### Insulation characteristics

Overvoltage category	III
Degree of pollution	3

### Dimensions

Dimensional drawing	
Width	21 mm
Height	39 mm
Length	21 mm

### Connection data

#### Connection technology

Connection in acc. with standard	IEC / EN
----------------------------------	----------

#### Conductor connection

Tightening torque	0.5 Nm ... 0.8 Nm (Mounting screws for mounting in the HEAVYCON housing)
-------------------	--

### Electrical properties

Rated voltage (III/3)	50 V
Rated surge voltage	0.8 kV
Rated current	1 A
Insulation resistance	100 MΩ
Nominal voltage $U_N$	50 V
Transmission characteristics (category)	CAT6 <sub>A</sub>

# HC-Q-I-RJ45 GC-F/F - Contact insert



1422590

<https://www.phoenixcontact.com/us/products/1422590>

## Material specifications

Material Housing	PA 6.6
Flammability rating according to UL 94	V0
Contact material	Copper alloy
Contact surface material	Au
Contact carrier material	PC
Standards/regulations	PC

## Environmental and real-life conditions

### Ambient conditions

Ambient temperature (operation)	-40 °C ... 70 °C
---------------------------------	------------------

## Standards and regulations

### Testing

Standards/regulations	PC: Fire protection in rail vehicles - requirement sets R22, R23, and R24 acc. to DIN EN 45545-2 (Risk level HL1 - HL3)
-----------------------	---

# HC-Q-I-RJ45 GC-F/F - Contact insert

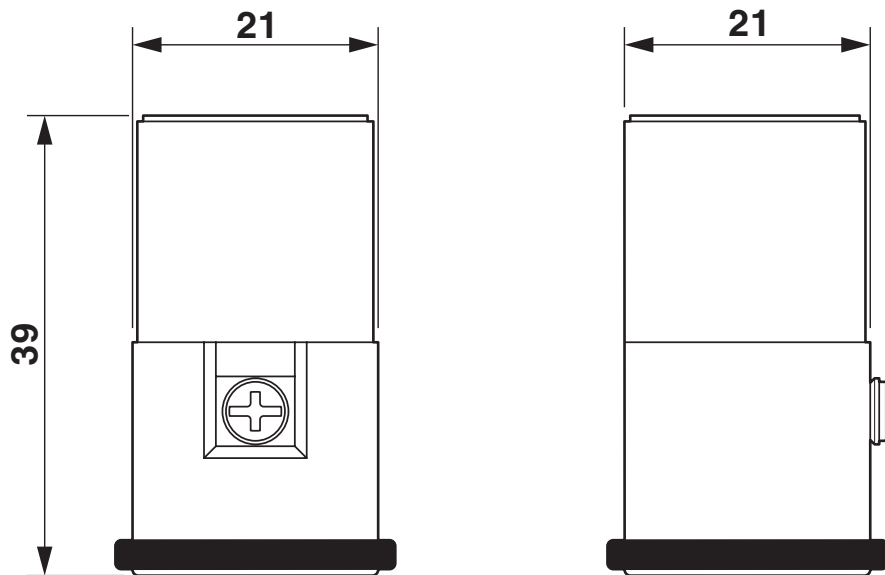


1422590

<https://www.phoenixcontact.com/us/products/1422590>

## Drawings

Dimensional drawing



Dimensional drawing

# HC-Q-I-RJ45 GC-F/F - Contact insert



1422590

<https://www.phoenixcontact.com/us/products/1422590>

## Classifications

### ECLASS

ECLASS-13.0	27440205
ECLASS-15.0	27440205

### ETIM

ETIM 10.0	EC000438
-----------	----------

### UNSPSC

UNSPSC 21.0	39121500
-------------	----------

# HC-Q-I-RJ45 GC-F/F - Contact insert



1422590

<https://www.phoenixcontact.com/us/products/1422590>

## Environmental product compliance

### EU RoHS

Fulfills EU RoHS substance requirements	Yes, No exemptions
---	--------------------

### China RoHS

Environment friendly use period (EFUP)	EFUP-E
	No hazardous substances above the limits

### EU REACH SVHC

REACH candidate substance (CAS No.)	No substance above 0.1 wt%
-------------------------------------	----------------------------

Phoenix Contact 2026 © - all rights reserved  
<https://www.phoenixcontact.com>

Phoenix Contact USA  
586 Fulling Mill Road  
Middletown, PA 17057, United States  
(+717) 944-1300  
[info@phoenixcon.com](mailto:info@phoenixcon.com)