

MC-35-MULTI-65-PV-LG - Cable feed-through plates



1422350

<https://www.phoenixcontact.com/us/products/1422350>

Please be informed that the data shown in this PDF document is generated from our online catalog. Please find the complete data in the user documentation. Our general terms of use for downloads are valid.



Cable feed-through plates, no. of conductors: 35, external cable diameter: 2x 6 mm ... 10 mm, 14x 8 mm ... 12 mm, 16x 10 mm ... 14 mm, 2x 12 mm ... 18 mm, 1x 17 mm ... 32 mm, material: galvanized sheet steel (Core), material: TPE-SEBS (external material), color: light gray, length: 222 mm, width: 92 mm, height: 17.6 mm

Commercial data

| | |
|--------------------------------------|---------------|
| Item number | 1422350 |
| Packing unit | 1 pc |
| Minimum order quantity | 1 pc |
| Sales key | BF67 |
| Product key | AF7CAX |
| GTIN | 4055626301853 |
| Weight per piece (including packing) | 290.2 g |
| Weight per piece (excluding packing) | 285.3 g |
| Customs tariff number | 39269097 |
| Country of origin | FI |

MC-35-MULTI-65-PV-LG - Cable feed-through plates



1422350

<https://www.phoenixcontact.com/us/products/1422350>

Technical data

Notes

| | |
|---------|---|
| General | incl. mounting screws |
| General | 2 mm thick coated, galvanized sheet steel |

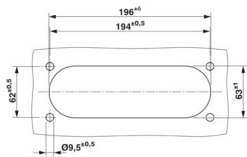
Product properties

| | |
|-------------------|--------------------|
| Product type | Cable feed-through |
| No. of conductors | 35 |

Connection data

| | |
|-------------------------|-----------------------------------|
| External cable diameter | 2x 6 mm ... 10 mm |
| Tightening torque | 1.5 Nm ... 2 Nm (Mounting screws) |

Dimensions

| | |
|---------------------------------|--|
| Dimensional drawing |  |
| Width | 92 mm |
| Height | 17.6 mm |
| Length | 222 mm |
| Drill hole distance, horizontal | 62 mm |
| Drill hole distance, vertical | 193 mm |
| Hole diameter | 8.5 mm |

Material specifications

| | |
|--|-------------------------------|
| Color | light gray (RAL 7035) |
| Material interior | galvanized sheet steel (Core) |
| Material exterior | TPE-SEBS (external material) |
| Flammability rating according to UL 94 | V0 |

Cable/line

| | |
|----------------------------------|---------------------|
| External cable diameter 6-10 mm | 2x 6 mm ... 10 mm |
| External cable diameter 8-12 mm | 14x 8 mm ... 12 mm |
| External cable diameter 10-14 mm | 16x 10 mm ... 14 mm |
| External cable diameter 12-18 mm | 2x 12 mm ... 18 mm |
| External cable diameter 17-32 mm | 1x 17 mm ... 32 mm |

Environmental and real-life conditions

Ambient conditions

| | |
|----------------------|--|
| Degree of protection | IP65 (Minimum sheet thickness \geq 2.5 mm) |
|----------------------|--|

MC-35-MULTI-65-PV-LG - Cable feed-through plates



1422350

<https://www.phoenixcontact.com/us/products/1422350>

| | |
|---------------------------------|-------------------|
| Ambient temperature (operation) | -40 °C ... 100 °C |
|---------------------------------|-------------------|

Mounting

| | |
|---------------|---|
| Assembly note | M8 mounting screw, torque: 1.5 - 2.0 Nm, SW5 Allen key |
| | <p>The mounting screws included should be used for assembly.</p> <p>Assembly steps:</p> <ol style="list-style-type: none">1) Fix Multigates with the mounting screws provided (observe torque)2) Make a hole in the membrane (with a screwdriver) or cut off the tip of the cone3) Guide the cable through the opening (from the outside). Withdraw the cable approximately 20 mm (to improve strain relief). |

MC-35-MULTI-65-PV-LG - Cable feed-through plates

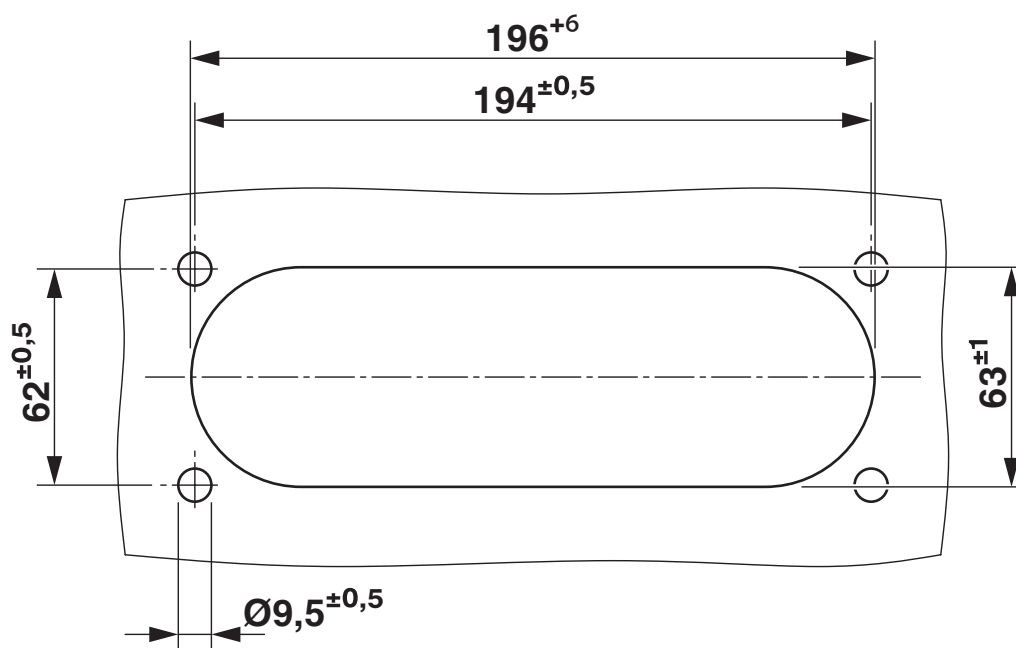


1422350

<https://www.phoenixcontact.com/us/products/1422350>

Drawings

Dimensional drawing



Wall cutout drawing

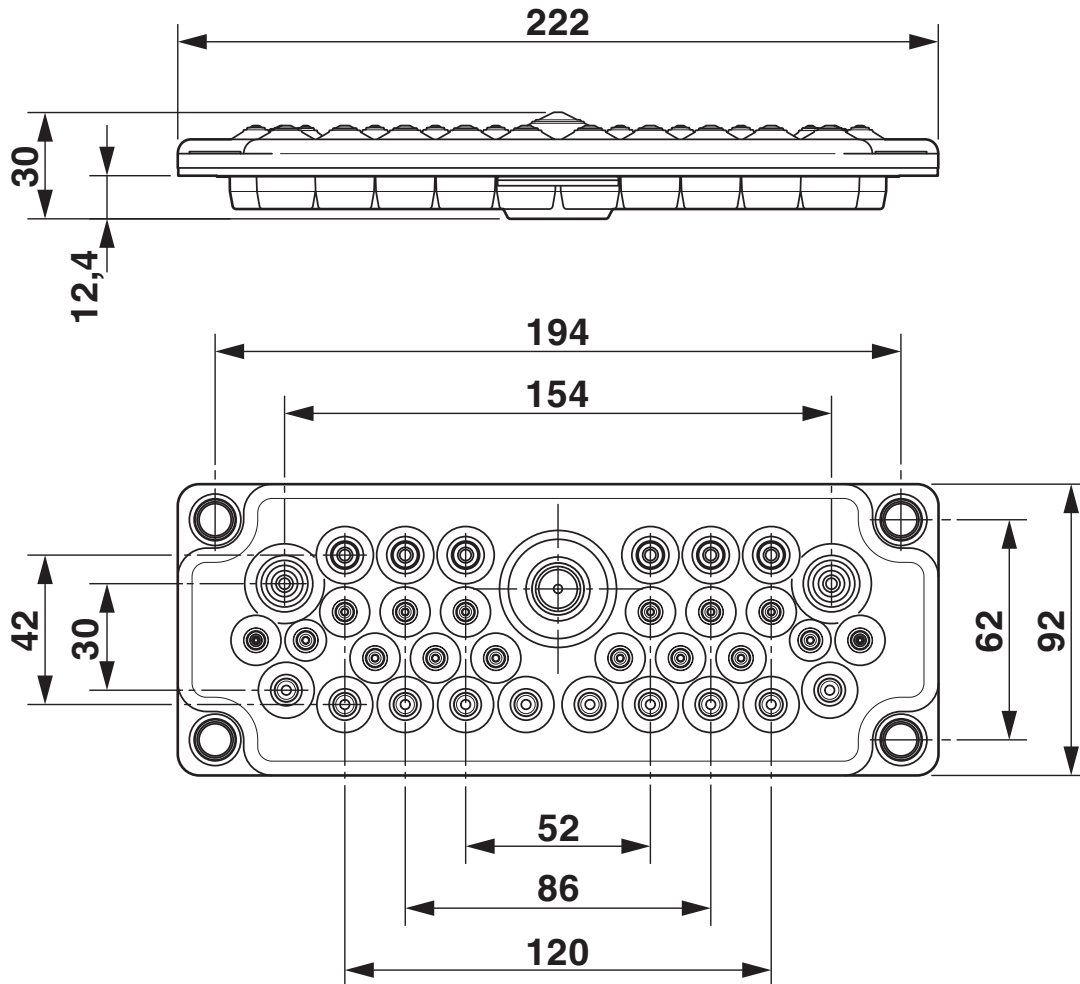
MC-35-MULTI-65-PV-LG - Cable feed-through plates



1422350

<https://www.phoenixcontact.com/us/products/1422350>

Dimensional drawing



Dimensional drawing

MC-35-MULTI-65-PV-LG - Cable feed-through plates



1422350

<https://www.phoenixcontact.com/us/products/1422350>

Classifications

ECLASS

| | |
|-------------|----------|
| ECLASS-15.0 | 27400569 |
| ECLASS-13.0 | 27400569 |

ETIM

| | |
|-----------|----------|
| ETIM 10.0 | EC001004 |
|-----------|----------|

UNSPSC

| | |
|-------------|----------|
| UNSPSC 21.0 | 31163000 |
|-------------|----------|

MC-35-MULTI-65-PV-LG - Cable feed-through plates



1422350

<https://www.phoenixcontact.com/us/products/1422350>

Environmental product compliance

EU RoHS

| | |
|---|--------------------|
| Fulfills EU RoHS substance requirements | Yes, No exemptions |
|---|--------------------|

China RoHS

| | |
|--|--|
| Environment friendly use period (EFUP) | EFUP-E |
| | No hazardous substances above the limits |

EU REACH SVHC

| | |
|-------------------------------------|----------------------------|
| REACH candidate substance (CAS No.) | No substance above 0.1 wt% |
|-------------------------------------|----------------------------|

Phoenix Contact 2026 © - all rights reserved
<https://www.phoenixcontact.com>

Phoenix Contact USA
586 Fulling Mill Road
Middletown, PA 17057, United States
(+717) 944-1300
info@phoenixcon.com