

# MC-25-MULTI-65-PV-LG - Cable feed-through plates



1422348

<https://www.phoenixcontact.com/us/products/1422348>

Please be informed that the data shown in this PDF document is generated from our online catalog. Please find the complete data in the user documentation. Our general terms of use for downloads are valid.



Cable feed-through plates, no. of conductors: 25, external cable diameter: 4x 5 mm ... 7 mm, 4x 8 mm ... 12 mm, 12x 10 mm ... 14 mm, 4x 14 mm ... 20 mm, 1x 20 mm ... 26 mm, material: galvanized sheet steel (Core), material: TPE-SEBS (external material), color: light gray, length: 222 mm, width: 92 mm, height: 14 mm

## Commercial data

Item number	1422348
Packing unit	1 pc
Minimum order quantity	1 pc
Sales key	BF67
Product key	AF7CAX
GTIN	4055626301839
Weight per piece (including packing)	281.3 g
Weight per piece (excluding packing)	270.2 g
Customs tariff number	39269097
Country of origin	FI

# MC-25-MULTI-65-PV-LG - Cable feed-through plates



1422348

<https://www.phoenixcontact.com/us/products/1422348>

## Technical data

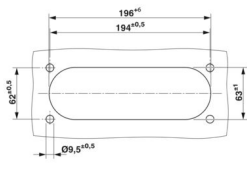
### Product properties

Product type	Cable feed-through
No. of conductors	25

### Connection data

External cable diameter	4x 5 mm ... 7 mm
Tightening torque	1.5 Nm ... 2 Nm (Mounting screws)

### Dimensions

Dimensional drawing	
Width	92 mm
Height	14 mm
Length	222 mm
Drill hole distance, horizontal	62 mm
Drill hole distance, vertical	193 mm
Hole diameter	8.5 mm

### Material specifications

Color	light gray (RAL 7035)
Material interior	galvanized sheet steel (Core)
Material exterior	TPE-SEBS (external material)
Flammability rating according to UL 94	V0

### Cable/line

External cable diameter 5-7 mm	4x 5 mm ... 7 mm
External cable diameter 8-12 mm	4x 8 mm ... 12 mm
External cable diameter 10-14 mm	12x 10 mm ... 14 mm
External cable diameter 14-20 mm	4x 14 mm ... 20 mm
External cable diameter 20-26 mm	1x 20 mm ... 26 mm

### Environmental and real-life conditions

#### Ambient conditions

Degree of protection	IP65 (Minimum sheet thickness $\geq$ 2.5 mm)
Ambient temperature (operation)	-40 °C ... 100 °C

### Mounting

Assembly note	M8 mounting screw, torque: 1.5 - 2.0 Nm, SW5 Allen key
---------------	--

# MC-25-MULTI-65-PV-LG - Cable feed-through plates



1422348

<https://www.phoenixcontact.com/us/products/1422348>

The mounting screws provided are to be used for mounting.

Mounting sequence:

- 1) Fix Multigates with the mounting screws provided (observe torque)
- 2) Cut a hole in the membrane/cut off the tip of the cone
- 3) Guide the cable through the opening (from the outside). Withdraw the cable approximately 20 mm (to improve strain relief)

# MC-25-MULTI-65-PV-LG - Cable feed-through plates

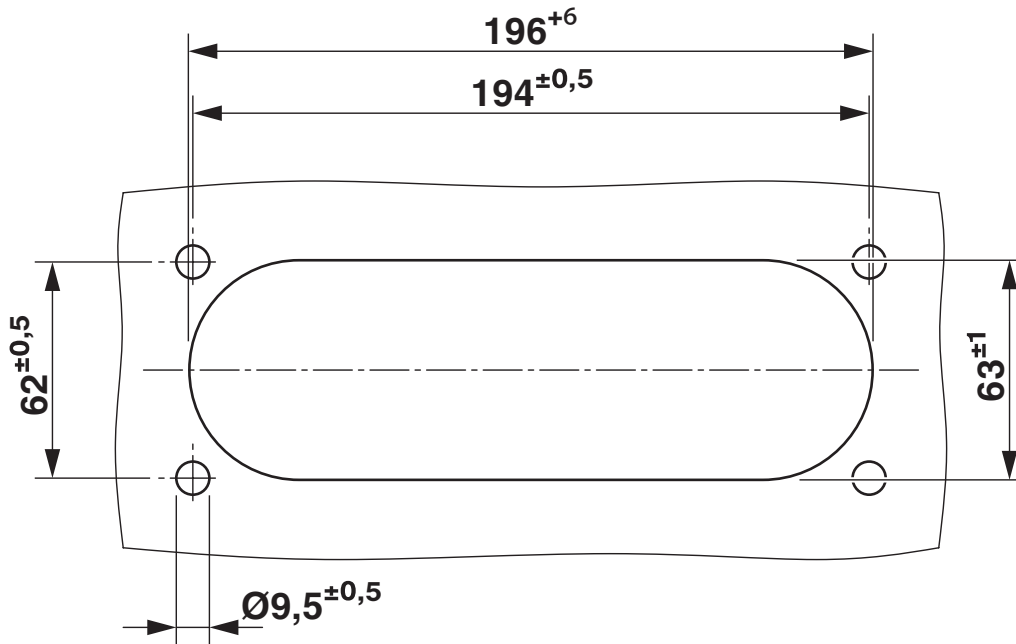


1422348

<https://www.phoenixcontact.com/us/products/1422348>

## Drawings

Dimensional drawing



Wall cutout drawing

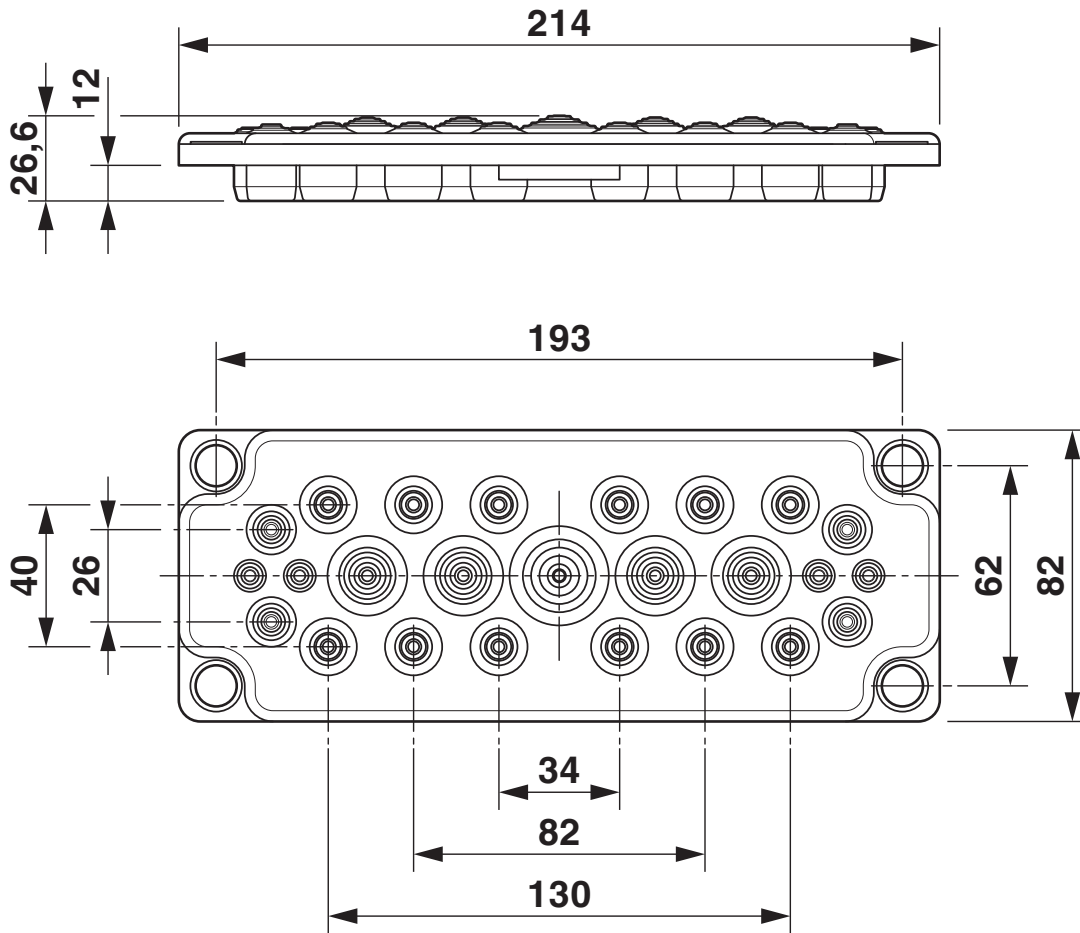
# MC-25-MULTI-65-PV-LG - Cable feed-through plates



1422348

<https://www.phoenixcontact.com/us/products/1422348>

Dimensional drawing



Dimensional drawing

# MC-25-MULTI-65-PV-LG - Cable feed-through plates



1422348

<https://www.phoenixcontact.com/us/products/1422348>

## Classifications

### ECLASS

ECLASS-15.0	27400569
ECLASS-13.0	27400569

### ETIM

ETIM 10.0	EC001004
-----------	----------

### UNSPSC

UNSPSC 21.0	31163000
-------------	----------

# MC-25-MULTI-65-PV-LG - Cable feed-through plates



1422348

<https://www.phoenixcontact.com/us/products/1422348>

## Environmental product compliance

### EU RoHS

Fulfills EU RoHS substance requirements	Yes, No exemptions
---	--------------------

### China RoHS

Environment friendly use period (EFUP)	EFUP-E
	No hazardous substances above the limits

### EU REACH SVHC

REACH candidate substance (CAS No.)	No substance above 0.1 wt%
-------------------------------------	----------------------------

Phoenix Contact 2026 © - all rights reserved  
<https://www.phoenixcontact.com>

Phoenix Contact USA  
586 Fulling Mill Road  
Middletown, PA 17057, United States  
(+717) 944-1300  
[info@phoenixcon.com](mailto:info@phoenixcon.com)