

SAC-6P- 1,0-PVC/M 8FR - Sensor/actuator cable



1422252

<https://www.phoenixcontact.com/us/products/1422252>

Please be informed that the data shown in this PDF document is generated from our online catalog. Please find the complete data in the user documentation. Our general terms of use for downloads are valid.



Sensor/actuator cable, 6-position, PVC, black RAL 9005, free cable end, on Socket angled M8 SPEEDCON, cable length: 1 m

Your advantages

- Easy and safe: 100 % electrically tested plug-in components

Commercial data

Item number	1422252
Packing unit	1 pc
Minimum order quantity	1 pc
Note	Made to order (non-returnable)
Sales key	BF19
Product key	AF1BGA
GTIN	4055626295176
Weight per piece (including packing)	48.3 g
Weight per piece (excluding packing)	48.3 g
Customs tariff number	85444290
Country of origin	PL

SAC-6P- 1,0-PVC/M 8FR - Sensor/actuator cable



1422252

<https://www.phoenixcontact.com/us/products/1422252>

Technical data

Product properties

Product type	Sensor/actuator cable
Application	Standard
Number of positions	6
No. of cable outlets	1
Shielded	no
Coding	A

Insulation characteristics

Overvoltage category	II
Degree of pollution	3

Material specifications

Flammability rating according to UL 94	HB
Seal material	NBR
Material of grip body	TPU, hardly inflammable, self-extinguishing
Contact material	CuZn
Contact surface material	Ni/Au
Contact carrier material	TPU GF
Material for screw connection	Zinc die-cast, nickel-plated

Electrical properties

Nominal voltage U_N	30 V AC
	30 V DC
Nominal current I_N	1.5 A

Signaling

Status display	no
Status display present	no

Connector

Connection 1

Type	free cable end
------	----------------

Connection 2

Type	Socket angled M8 SPEEDCON
Locking type	SPEEDCON

Cable/line

Cable length	1 m
--------------	-----

PVC black [PVC]

Cable weight	41 kg/km
--------------	----------

SAC-6P- 1,0-PVC/M 8FR - Sensor/actuator cable



1422252

<https://www.phoenixcontact.com/us/products/1422252>

Number of positions	6
Shielded	no
Cable type	PVC black [PVC]
Conductor structure signal line	32x 0.10 mm
AWG signal line	24
Conductor cross-section	6x 0.25 mm ² (Signal line)
Wire diameter incl. insulation	1.19 mm ±0.02 mm
External cable diameter	5 mm
Outer sheath, material	PVC
External sheath, color	black RAL 9005
Conductor material	Bare Cu litz wires
Material wire insulation	PVC
Single wire, color	brown, white, green, yellow, gray, pink
Thickness, insulation	≥ 0.23 mm (Core insulation)
Overall twist	Six cores around the filler to the core
Max. conductor resistance	≤ 78 Ω/km
Insulation resistance	≥ 1 GΩ*km
Nominal voltage, cable	300 V
Test voltage	3000 V
Ambient temperature (operation)	-25 °C ... 80 °C (cable, fixed installation) -5 °C ... 80 °C (Cable, flexible installation)

Environmental and real-life conditions

Ambient conditions

Degree of protection	IP65
	IP67

Standards and regulations

Standard designation	M8 connector
Standards/specifications	IEC 61076-2-104

SAC-6P- 1,0-PVC/M 8FR - Sensor/actuator cable

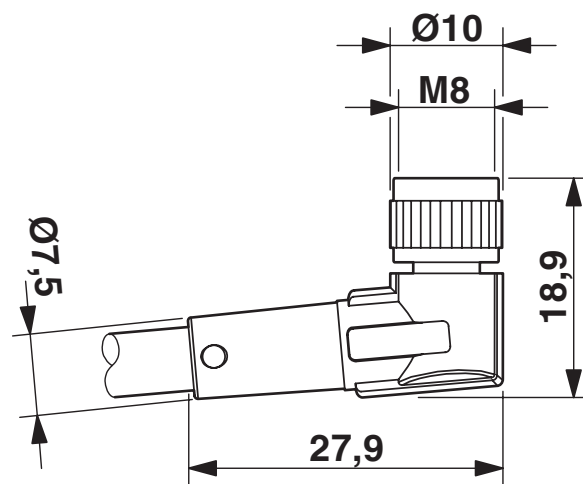


1422252

<https://www.phoenixcontact.com/us/products/1422252>

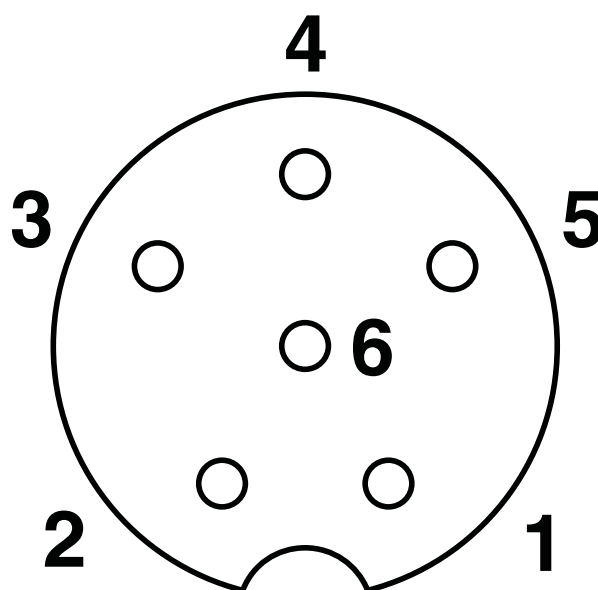
Drawings

Dimensional drawing



Socket M8 x 1, angled

Schematic diagram



Pin assignment M8 socket, 6-pos.

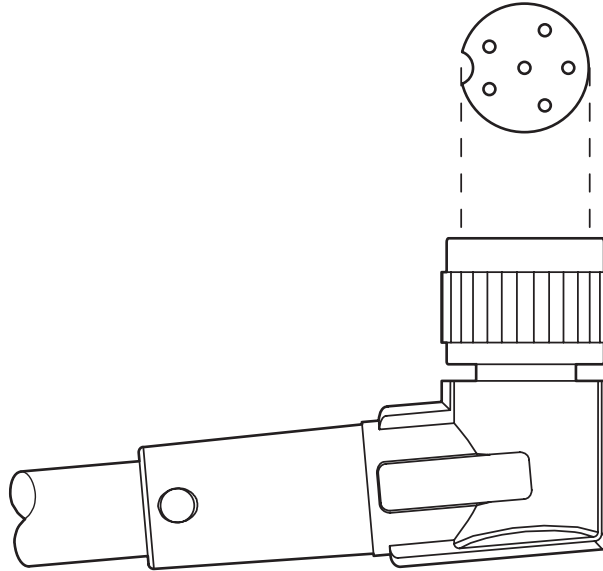
SAC-6P- 1,0-PVC/M 8FR - Sensor/actuator cable



1422252

<https://www.phoenixcontact.com/us/products/1422252>

Schematic diagram



Layout of connector pin assignments

Circuit diagram



Contact assignment of M8 socket

SAC-6P- 1,0-PVC/M 8FR - Sensor/actuator cable



1422252

<https://www.phoenixcontact.com/us/products/1422252>

Classifications

ECLASS

ECLASS-13.0	27060311
ECLASS-15.0	27060311

SAC-6P- 1,0-PVC/M 8FR - Sensor/actuator cable



1422252

<https://www.phoenixcontact.com/us/products/1422252>

Environmental product compliance

EU RoHS

Fulfills EU RoHS substance requirements	Yes
Exemption	6(c)

China RoHS

Environment friendly use period (EFUP)	EFUP-50
	An article-related China RoHS declaration table can be found in the download area for the respective article under "Manufacturer declaration". For all articles with EFUP-E, no China RoHS declaration table issued and required.

EU REACH SVHC

REACH candidate substance (CAS No.)	Lead(CAS: 7439-92-1)
-------------------------------------	----------------------

Phoenix Contact 2026 © - all rights reserved
<https://www.phoenixcontact.com>

Phoenix Contact USA
586 Fulling Mill Road
Middletown, PA 17057, United States
(+717) 944-1300
info@phoenixcon.com