

HC-B 10-ANDOCK-MOD-T - Docking frame



1422078

<https://www.phoenixcontact.com/us/products/1422078>

Please be informed that the data shown in this PDF document is generated from our online catalog. Please find the complete data in the user documentation. Our general terms of use for downloads are valid.



Docking frame for three module slots, floating assembly, plastic without PE, rack compensation of ± 2.0 mm in the x/y-axis, for M4 cylinder head screws

Product description

Docking frame, fitted floating. Made from plastic without PE. Slide-in offset x/y axis ± 2.0 mm

Commercial data

Item number	1422078
Packing unit	2 pc
Minimum order quantity	2 pc
Product key	AF7ACZ
GTIN	4055626290607
Weight per piece (including packing)	2.222 g
Weight per piece (excluding packing)	2.222 g
Country of origin	DE

HC-B 10-ANDOCK-MOD-T - Docking frame



1422078

<https://www.phoenixcontact.com/us/products/1422078>

Technical data

Product properties

Product type	Docking frame
Type	B10
Number of module slots	3

Material specifications

Material	PC
Flammability rating according to UL 94	V0

Mechanical properties

Mechanical data

Insertion/withdrawal cycles	≥ 500
-----------------------------	-------

Environmental and real-life conditions

Ambient conditions

Ambient temperature (operation)	-40 °C ... 125 °C
---------------------------------	-------------------

Mounting

Assembly note	Due to the plastic frame without PE, a metal attachment panel must be grounded separately.
	Floating fixing with special washer (Item No. 1587496) and standard M4 screws/nuts, screw length: 6 mm + panel thickness + (locking nut in the case of panel without thread). 2 mm play.

HC-B 10-ANDOCK-MOD-T - Docking frame

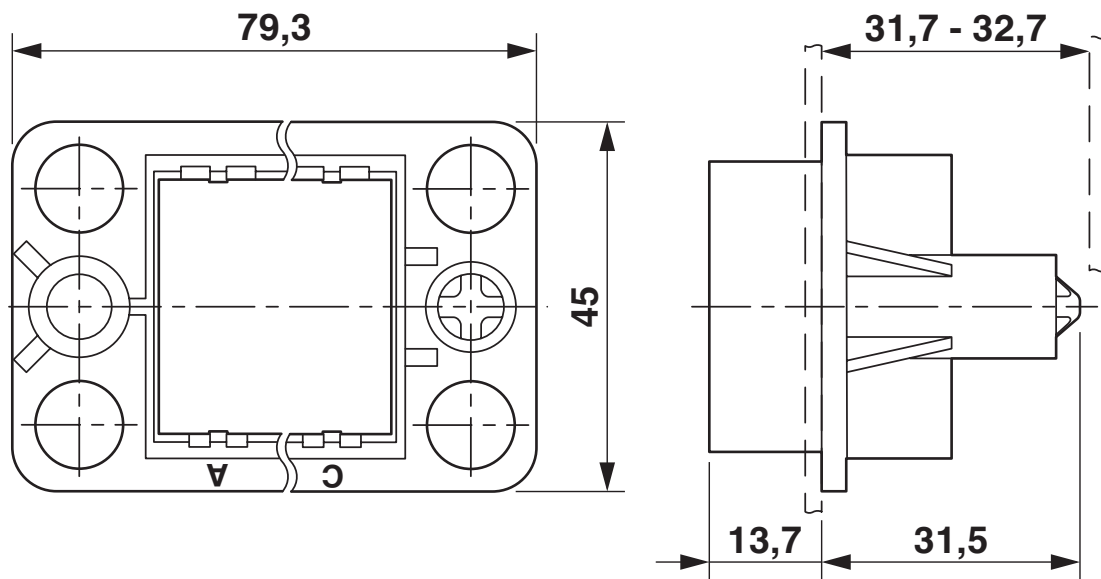


1422078

<https://www.phoenixcontact.com/us/products/1422078>

Drawings

Dimensional drawing



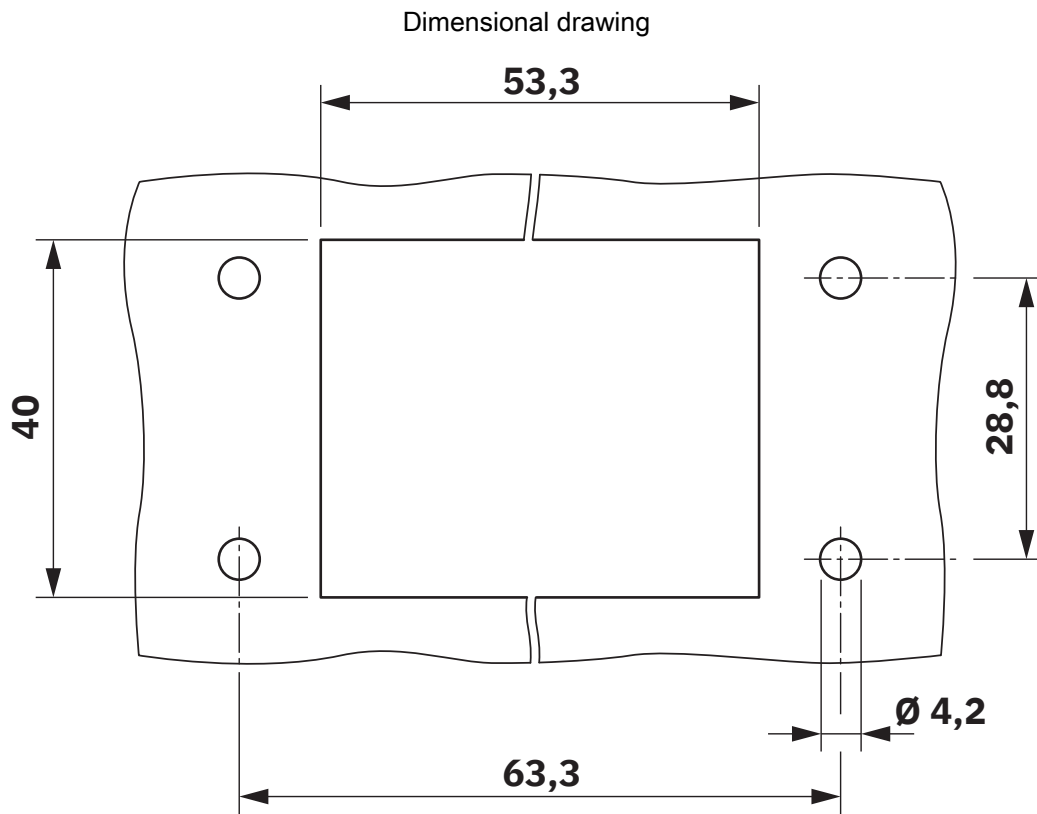
Dimensional drawing

HC-B 10-ANDOCK-MOD-T - Docking frame



1422078

<https://www.phoenixcontact.com/us/products/1422078>



Mounting cutout

HC-B 10-ANDOCK-MOD-T - Docking frame



1422078

<https://www.phoenixcontact.com/us/products/1422078>

Environmental product compliance

EU RoHS

Fulfills EU RoHS substance requirements	Yes, No exemptions
---	--------------------

China RoHS

Environment friendly use period (EFUP)	EFUP-E
	No hazardous substances above the limits

EU REACH SVHC

REACH candidate substance (CAS No.)	No substance above 0.1 wt%
-------------------------------------	----------------------------

Phoenix Contact 2026 © - all rights reserved
<https://www.phoenixcontact.com>

Phoenix Contact USA
586 Fulling Mill Road
Middletown, PA 17057, United States
(+717) 944-1300
info@phoenixcon.com