

HC-B 06-ANDOCK-MOD-A - Docking frame



1422075

<https://www.phoenixcontact.com/us/products/1422075>

Please be informed that the data shown in this PDF document is generated from our online catalog. Please find the complete data in the user documentation. Our general terms of use for downloads are valid.



Docking frame for two module slots, fixed assembly, plastic without PE, rack compensation of ± 2.0 mm in the x/y-axis, for M4 cylinder head screws

Product description

Docking frame, permanently fitted, made from plastic without PE. Slide-in offset x/y axis ± 2.0 mm.

Commercial data

Item number	1422075
Packing unit	2 pc
Minimum order quantity	2 pc
Product key	AF7ACZ
GTIN	4055626290072
Weight per piece (including packing)	1.74 g
Weight per piece (excluding packing)	1.74 g
Country of origin	DE

HC-B 06-ANDOCK-MOD-A - Docking frame



1422075

<https://www.phoenixcontact.com/us/products/1422075>

Technical data

Product properties

Product type	Docking frame
Type	B6
Number of module slots	2

Material specifications

Material	PC
Flammability rating according to UL 94	V0

Mechanical properties

Mechanical data

Insertion/withdrawal cycles	≥ 500
-----------------------------	-------

Environmental and real-life conditions

Ambient conditions

Ambient temperature (operation)	-40 °C ... 125 °C
---------------------------------	-------------------

Mounting

Assembly note	Due to the plastic frame without PE, a metal attachment panel must be grounded separately.
---------------	--

HC-B 06-ANDOCK-MOD-A - Docking frame

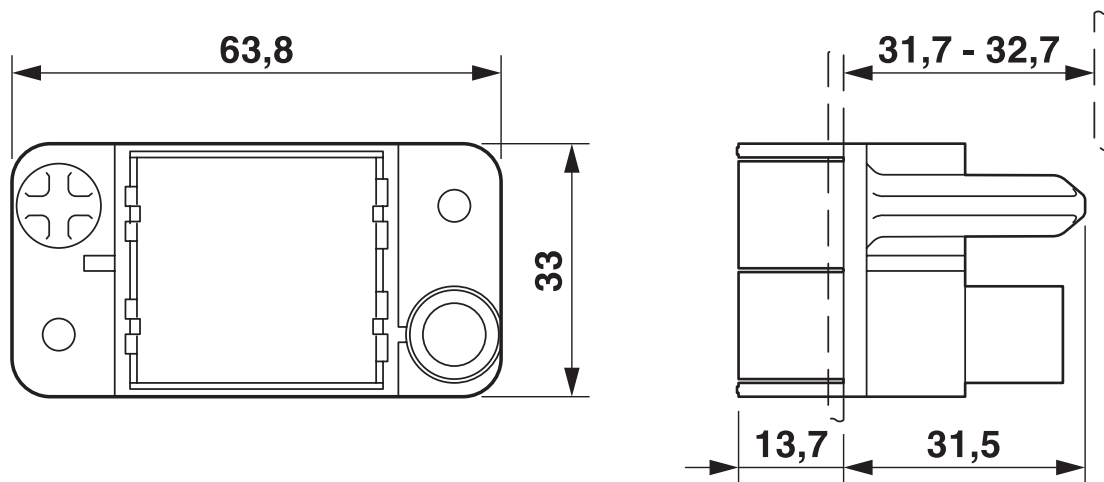


1422075

<https://www.phoenixcontact.com/us/products/1422075>

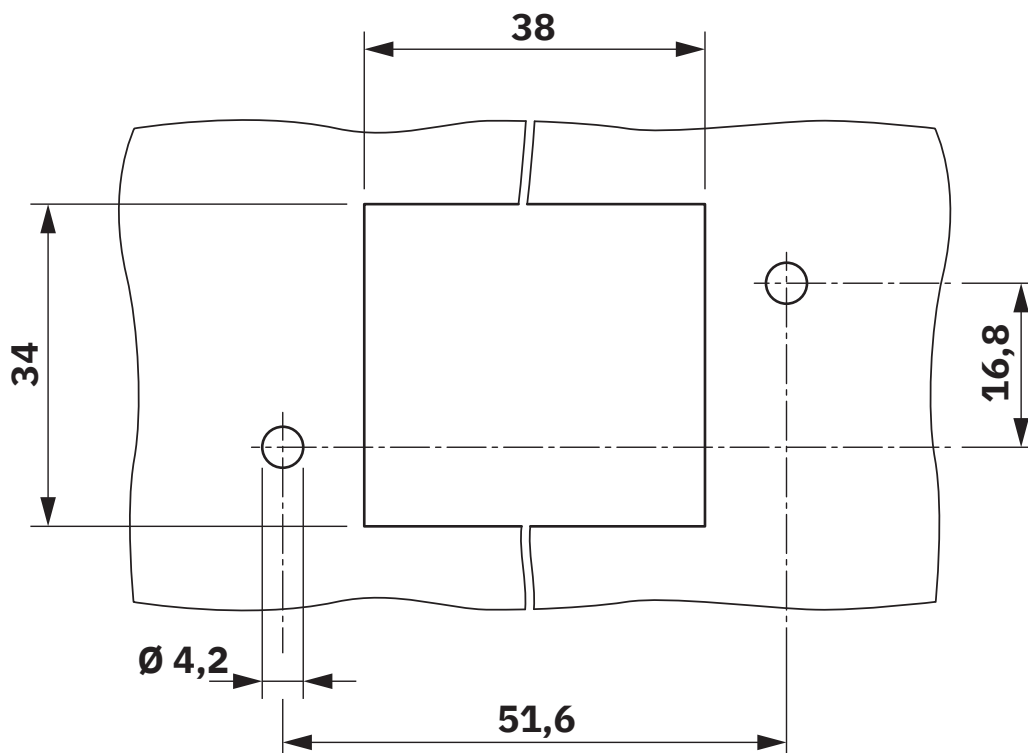
Drawings

Dimensional drawing



Dimensional drawing

Dimensional drawing



Mounting cutout

HC-B 06-ANDOCK-MOD-A - Docking frame



1422075

<https://www.phoenixcontact.com/us/products/1422075>

Environmental product compliance

EU RoHS

Fulfills EU RoHS substance requirements	Yes, No exemptions
---	--------------------

China RoHS

Environment friendly use period (EFUP)	EFUP-E
	No hazardous substances above the limits

EU REACH SVHC

REACH candidate substance (CAS No.)	No substance above 0.1 wt%
-------------------------------------	----------------------------

Phoenix Contact 2026 © - all rights reserved
<https://www.phoenixcontact.com>

Phoenix Contact USA
586 Fulling Mill Road
Middletown, PA 17057, United States
(+717) 944-1300
info@phoenixcon.com