

SAC-3P-10,0-PUR/M12FRS PE DMG - Power cable



1421983

<https://www.phoenixcontact.com/us/products/1421983>

Please be informed that the data shown in this PDF document is generated from our online catalog. Please find the complete data in the user documentation. Our general terms of use for downloads are valid.



Power cable, 3-position, PUR, black, free cable end, on Socket angled M12, coding: S, cable length: 10 m, for AC current up to 16 A/230 V

Your advantages

- Easy and safe: 100 % electrically tested plug-in components
- Protection against incorrect connection using special S-coding
- Save time, thanks to installation with SPEEDCON fast locking system

Commercial data

Item number	1421983
Packing unit	1 pc
Minimum order quantity	10 pc
Note	Made to order (non-returnable)
Product key	AF1CBB
GTIN	4055626390390
Weight per piece (including packing)	729 g
Weight per piece (excluding packing)	22.22 g
Country of origin	PL

1421983

<https://www.phoenixcontact.com/us/products/1421983>

Technical data

Product properties

Product type	Power cable
Application	Energy supply
Number of positions	3
No. of cable outlets	1
Shielded	no
Coding	S

Insulation characteristics

Overvoltage category	III
Degree of pollution	3

Material specifications

Flammability rating according to UL 94	V0
Material of grip body	PP
Contact material	CuZn
Contact surface material	Au
Contact carrier material	PA
Material for screw connection	Zinc die-cast, nickel-plated

Electrical properties

Insulation resistance	> 100 MΩ
Nominal voltage U_N	230 V AC
	230 V DC
Nominal current I_N	16 A

Mechanical properties

Mechanical data

Insertion/withdrawal cycles	> 100
-----------------------------	-------

Connector

Connection 1

Type	free cable end
------	----------------

Connection 2

Type	Socket angled M12
Coding type	S (Power)

Cable/line

Cable length	10 m
Number of positions	3
Shielded	no

SAC-3P-10,0-PUR/M12FRS PE DMG - Power cable



1421983

<https://www.phoenixcontact.com/us/products/1421983>

Outer sheath, material	PUR
External sheath, color	black

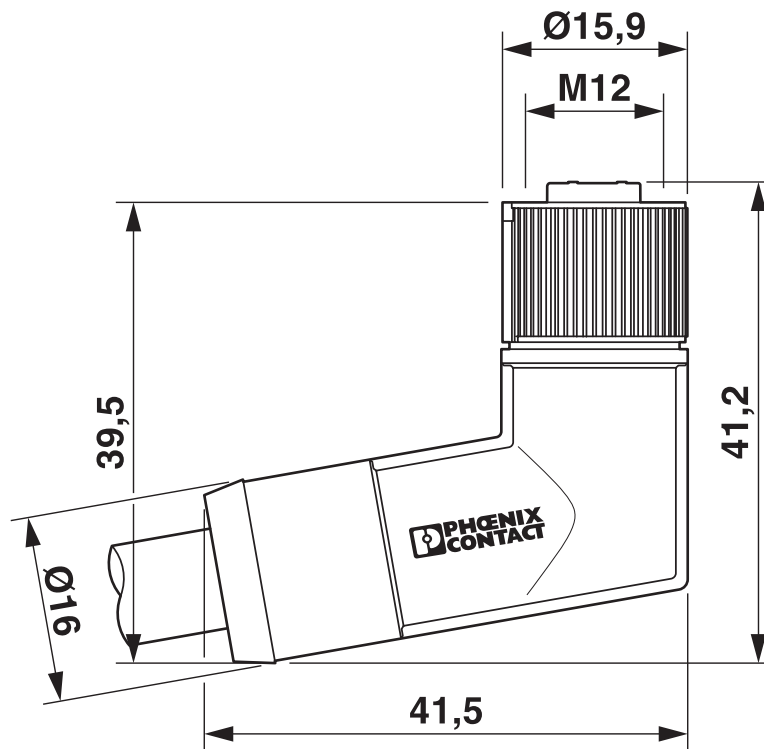
Environmental and real-life conditions

Ambient conditions

Degree of protection	IP65
	IP67 (without preloading, as additional test in accordance with IEC 60529)
Ambient temperature (operation) (male connector/female connector)	-25 °C ... 105 °C (Plug / socket)

Drawings

Dimensional drawing

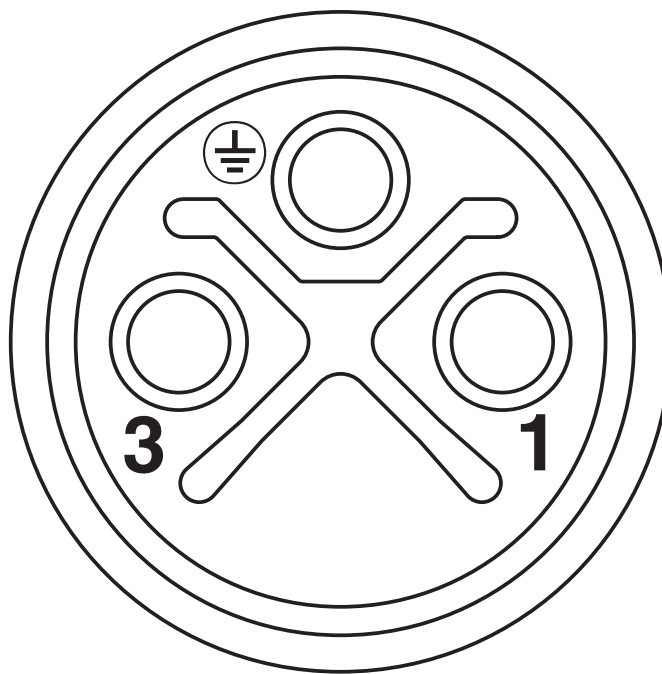


M12 x 1 socket, angled

1421983

<https://www.phoenixcontact.com/us/products/1421983>

Schematic diagram



Pin assignment of M12 socket, 3-pos., S-coded, socket side view

SAC-3P-10,0-PUR/M12FRS PE DMG - Power cable



1421983

<https://www.phoenixcontact.com/us/products/1421983>

Approvals

To download certificates, visit the product detail page: <https://www.phoenixcontact.com/us/products/1421983>

 UL Listed Approval ID: FILE E 468743				
	Nominal voltage U_N	Nominal current I_N	Cross section AWG	Cross section mm^2
keine				
	300 V	12 A	- 16	- 16

 cUL Listed Approval ID: FILE E 468743				
	Nominal voltage U_N	Nominal current I_N	Cross section AWG	Cross section mm^2
keine				
	300 V	12 A	- 16	-

SAC-3P-10,0-PUR/M12FRS PE DMG - Power cable



1421983

<https://www.phoenixcontact.com/us/products/1421983>

Classifications

ECLASS

ECLASS-13.0	27060327
ECLASS-15.0	27060327

ETIM

ETIM 10.0	EC001855
-----------	----------

UNSPSC

UNSPSC 21.0	26121600
-------------	----------

SAC-3P-10,0-PUR/M12FRS PE DMG - Power cable



1421983

<https://www.phoenixcontact.com/us/products/1421983>

Environmental product compliance

EU RoHS

Fulfills EU RoHS substance requirements	Yes, No exemptions
---	--------------------

China RoHS

Environment friendly use period (EFUP)	EFUP-E
	No hazardous substances above the limits

EU REACH SVHC

REACH candidate substance (CAS No.)	No substance above 0.1 wt%
-------------------------------------	----------------------------

Phoenix Contact 2026 © - all rights reserved
<https://www.phoenixcontact.com>

Phoenix Contact USA
586 Fulling Mill Road
Middletown, PA 17057, United States
(+717) 944-1300
info@phoenixcon.com