

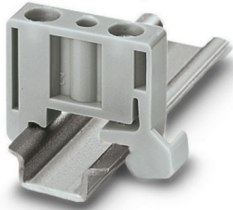
E/MK 1 - End bracket

1421659

<https://www.phoenixcontact.com/us/products/1421659>

Please be informed that the data shown in this PDF document is generated from our online catalog. Please find the complete data in the user documentation. Our general terms of use for downloads are valid.

End clamp width: 6 mm, color: gray



Your advantages

- Large-surface marking
- Can be screwed onto NS 15 DIN rails

Commercial data

| | |
|--------------------------------------|---------------|
| Item number | 1421659 |
| Packing unit | 100 pc |
| Minimum order quantity | 100 pc |
| Sales key | BE07 |
| Product key | BE7111 |
| GTIN | 4017918021573 |
| Weight per piece (including packing) | 2.63 g |
| Weight per piece (excluding packing) | 2.602 g |
| Customs tariff number | 39269097 |
| Country of origin | PL |

E/MK 1 - End bracket

1421659

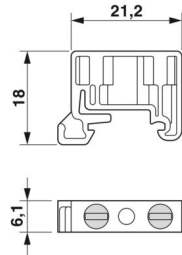
<https://www.phoenixcontact.com/us/products/1421659>

Technical data

Product properties

| | |
|--------------|-------------|
| Product type | End bracket |
|--------------|-------------|

Dimensions

| | |
|---------------------|--|
| Dimensional drawing |  |
| Width | 6.1 mm |
| Height | 21.2 mm |
| Depth | 18 mm |
| Depth on NS 35/7,5 | 19.5 mm |
| Length | 21.2 mm |

Material specifications

| | |
|--|--------------------|
| Color | gray (RAL 7042) |
| Material | PA |
| Flammability rating according to UL 94 | V2 |
| Coating | 3.2 mm fixing hole |

Environmental and real-life conditions

Ambient conditions

| | |
|--|---|
| Ambient temperature (operation) | -60 °C ... 105 °C (max. short-term operating temperature RTI Elec.) |
| Ambient temperature (storage/transport) | -25 °C ... 60 °C (for a short time, not exceeding 24 h, -60 °C to +70 °C) |
| Ambient temperature (assembly) | -5 °C ... 70 °C |
| Ambient temperature (actuation) | -5 °C ... 70 °C |
| Permissible humidity (storage/transport) | 30 % ... 70 % |

Mounting

| | |
|---------------|-------|
| Mounting type | NS 15 |
|---------------|-------|

E/MK 1 - End bracket

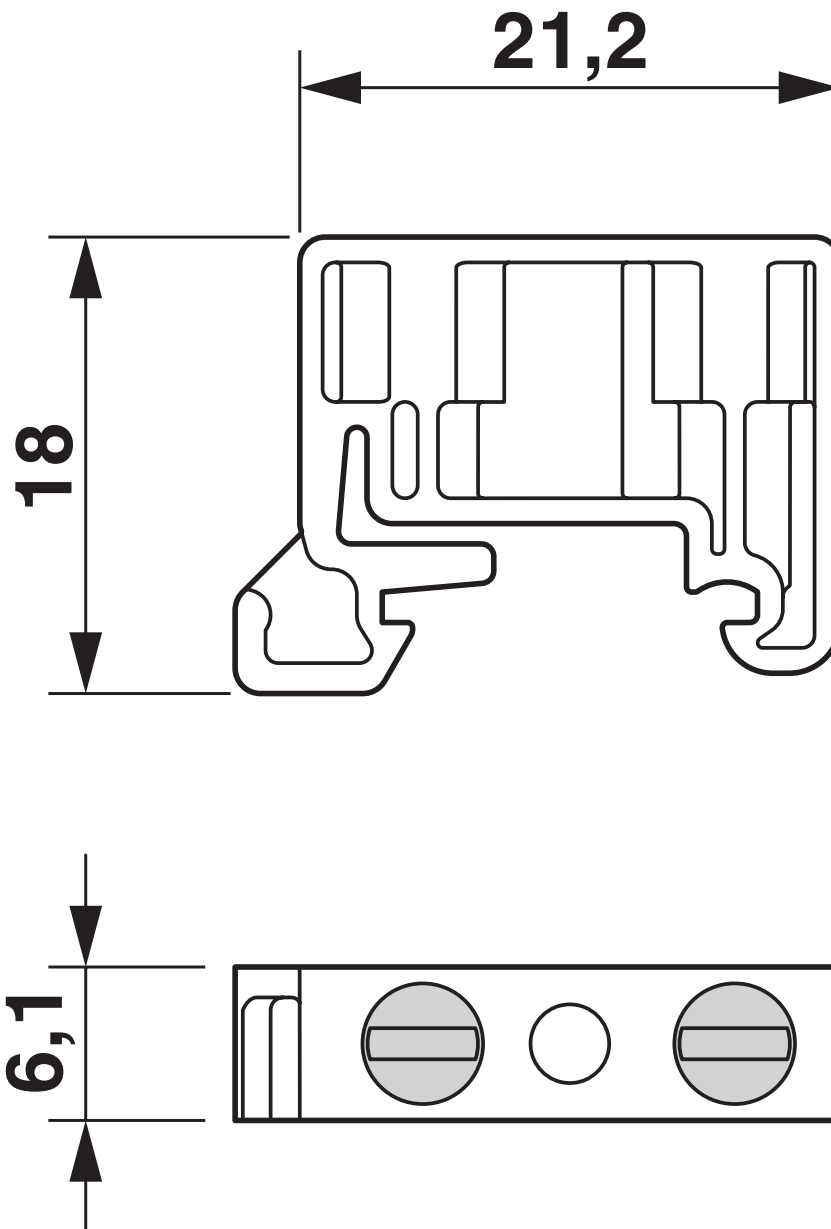
1421659

<https://www.phoenixcontact.com/us/products/1421659>



Drawings

Dimensional drawing



E/MK 1 - End bracket



1421659

<https://www.phoenixcontact.com/us/products/1421659>

Classifications

ECLASS

| | |
|-------------|----------|
| ECLASS-13.0 | 27250302 |
| ECLASS-15.0 | 27250302 |

ETIM

| | |
|-----------|----------|
| ETIM 10.0 | EC001041 |
|-----------|----------|

UNSPSC

| | |
|-------------|----------|
| UNSPSC 21.0 | 39121400 |
|-------------|----------|

E/MK 1 - End bracket



1421659

<https://www.phoenixcontact.com/us/products/1421659>

Environmental product compliance

EU RoHS

| | |
|---|--------------------|
| Fulfills EU RoHS substance requirements | Yes, No exemptions |
|---|--------------------|

China RoHS

| | |
|--|--|
| Environment friendly use period (EFUP) | EFUP-E |
| | No hazardous substances above the limits |

EU REACH SVHC

| | |
|-------------------------------------|----------------------------|
| REACH candidate substance (CAS No.) | No substance above 0.1 wt% |
|-------------------------------------|----------------------------|

EF3.1 Climate Change

| | |
|---------|---------------|
| CO2e kg | 0.011 kg CO2e |
|---------|---------------|

Phoenix Contact 2026 © - all rights reserved
<https://www.phoenixcontact.com>

Phoenix Contact USA
586 Fulling Mill Road
Middletown, PA 17057, United States
(+717) 944-1300
info@phoenixcon.com