

HC-B24-TMS-O1STM(40G-25G)EEE - Housing



1421507

<https://www.phoenixcontact.com/us/products/1421507>

Please be informed that the data shown in this PDF document is generated from our online catalog. Please find the complete data in the user documentation. Our general terms of use for downloads are valid.



Sleeve housing B24, Screw locking mechanism, material: Die-cast aluminum, salt water resistant, cable outlets: 2, straight, height: 100 mm, cable gland: none, increased environmental requirements

The photo shows the product with an M40 thread

Commercial data

| | |
|--------------------------------------|---------------|
| Item number | 1421507 |
| Packing unit | 10 pc |
| Minimum order quantity | 10 pc |
| Product key | AF7AAA |
| GTIN | 4055626267210 |
| Weight per piece (including packing) | 446.25 g |
| Weight per piece (excluding packing) | 446.25 g |
| Country of origin | DE |

HC-B24-TMS-O1STM(40G-25G)EEE - Housing



1421507

<https://www.phoenixcontact.com/us/products/1421507>

Technical data

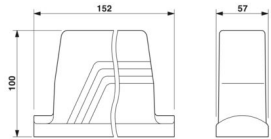
Product properties

| | |
|----------------------|--------------------------------------|
| Product type | Housing with screw locking |
| Housing type | Sleeve housing |
| Application | increased environmental requirements |
| Type | B24 |
| No. of cable outlets | 2 |
| Fixing screws | M6 |
| Cable outlet | straight |
| Pg screw connection | none |

Connection data

| | |
|-------------------|----------------------|
| Tightening torque | 3 Nm (Locking screw) |
|-------------------|----------------------|

Dimensions

| | |
|---------------------|--|
| Dimensional drawing |  |
| Width | 57 mm |
| Height | 100 mm |
| Length | 152 mm |

Installation dimensions

| | |
|-------------------------------|--------|
| Width of the assembly cutout | 35 mm |
| Length of the assembly cutout | 112 mm |

Material specifications

| | |
|--------------------------|---|
| Seal material | NBR, conductive |
| Housing material | Die-cast aluminum, salt water resistant |
| Housing surface material | uncoated |
| Locking latch material | Stainless steel |

Environmental and real-life conditions

Ambient conditions

| | |
|-------------------------|---------------------|
| Degree of protection | IP66 |
| | IP66 (0.2 bar/24 h) |
| | IP69K |
| Enclosure rating (NEMA) | 4 (NEMA 250) |
| | 4X (NEMA 250) |
| | 6P (NEMA 250) |

HC-B24-TMS-O1STM(40G-25G)EEE - Housing



1421507

<https://www.phoenixcontact.com/us/products/1421507>

| | |
|---------------------------------|-------------------|
| | 12 (NEMA 250) |
| Ambient temperature (operation) | -40 °C ... 125 °C |

Mounting

| | |
|---------------|--|
| Assembly note | In order to guarantee that the protective conductor contact functions even when plugged in at an angle, the two panel-mount flanges must have sufficient electrical contact with the metal mounting panel. |
| | Tightening torque of locking screw 3 Nm. |
| Fixing screws | M6 |

HC-B24-TMS-O1STM(40G-25G)EEE - Housing

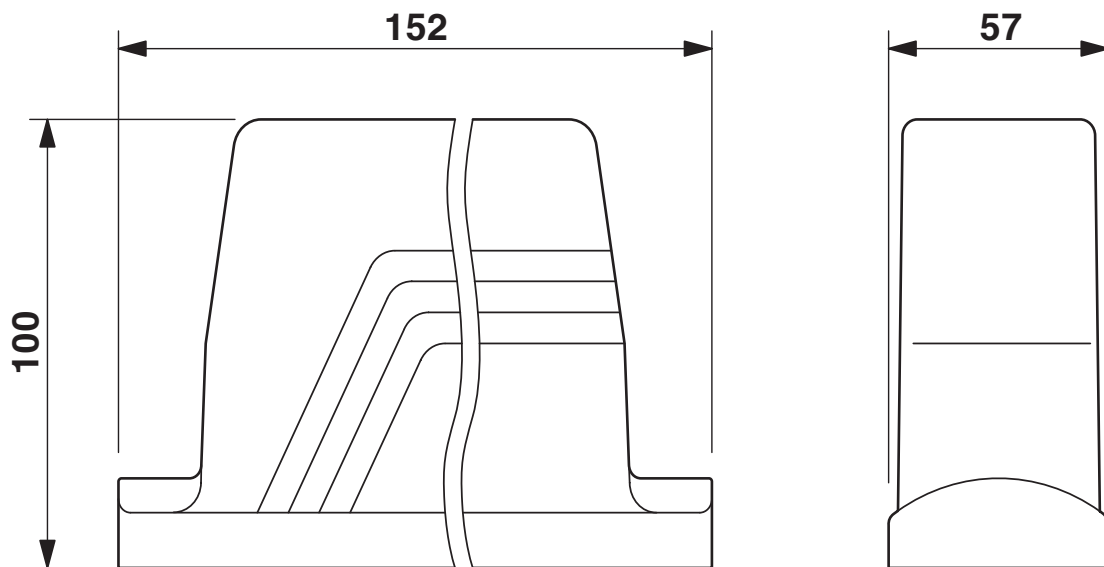


1421507

<https://www.phoenixcontact.com/us/products/1421507>

Drawings

Dimensional drawing



Dimensional drawing

Dimensional drawing



Mounting cutout

1) when M4 screws are used

2) when self-tapping Torx® screws are used (Torx® 20, M4)

HC-B24-TMS-O1STM(40G-25G)EEE - Housing



1421507

<https://www.phoenixcontact.com/us/products/1421507>

Classifications

ECLASS

| | |
|-------------|----------|
| ECLASS-13.0 | 27440202 |
| ECLASS-15.0 | 27440202 |

HC-B24-TMS-O1STM(40G-25G)EEE - Housing



1421507

<https://www.phoenixcontact.com/us/products/1421507>

Environmental product compliance

EU RoHS

| | |
|---|--------------------|
| Fulfills EU RoHS substance requirements | Yes, No exemptions |
|---|--------------------|

China RoHS

| | |
|--|--|
| Environment friendly use period (EFUP) | EFUP-E |
| | No hazardous substances above the limits |

EU REACH SVHC

| | |
|-------------------------------------|----------------------------|
| REACH candidate substance (CAS No.) | No substance above 0.1 wt% |
|-------------------------------------|----------------------------|

Phoenix Contact 2026 © - all rights reserved
<https://www.phoenixcontact.com>

Phoenix Contact USA
586 Fulling Mill Road
Middletown, PA 17057, United States
(+717) 944-1300
info@phoenixcon.com