

CUC-DSI-Y1STZ-A/DSL5A15:50 - Contact insert



1421505

<https://www.phoenixcontact.com/us/products/1421505>

Please be informed that the data shown in this PDF document is generated from our online catalog. Please find the complete data in the user documentation. Our general terms of use for downloads are valid.

D-SUB contact insert, shell size 2, with 15 signal contacts, type of contact: socket, for PCB mounting, angled, fixing with 4-40 UNC thread and solder pins, for VS-15-... panel mounting frame, box of 50



Commercial data

Item number	1421505
Packing unit	50 pc
Minimum order quantity	50 pc
Product key	ABNCAC
GTIN	4055626266855
Weight per piece (including packing)	15.33 g
Weight per piece (excluding packing)	15.33 g
Country of origin	DE

1421505

<https://www.phoenixcontact.com/us/products/1421505>

Technical data

Product properties

Product type	Data connector (cable side)
Type	D-SUB
Number of positions	15
Connection profile	D-SUB

Insulation characteristics

Overvoltage category	III
Degree of pollution	2

Electrical properties

Rated voltage (III/3)	125 V
Rated surge voltage	0.8 kV
	1 kV
Rated current	5 A
Nominal current I_N	1.5 A
Transmission medium	Copper

Connection data

Connection technology

Connection method	D-SUB
-------------------	-------

Dimensions

Width	39.3 mm
Height	17.3 mm
Length	21.6 mm

Material specifications

Flammability rating according to UL 94	V0
Housing material	Metal
Contact material	Copper alloy
Contact surface material	Hard gold-plated over nickel
Contact carrier material	Polyester GF

Mounting

Mounting type	Threads and solder pins
---------------	-------------------------

CUC-DSI-Y1STZ-A/DSL5A15:50 - Contact insert

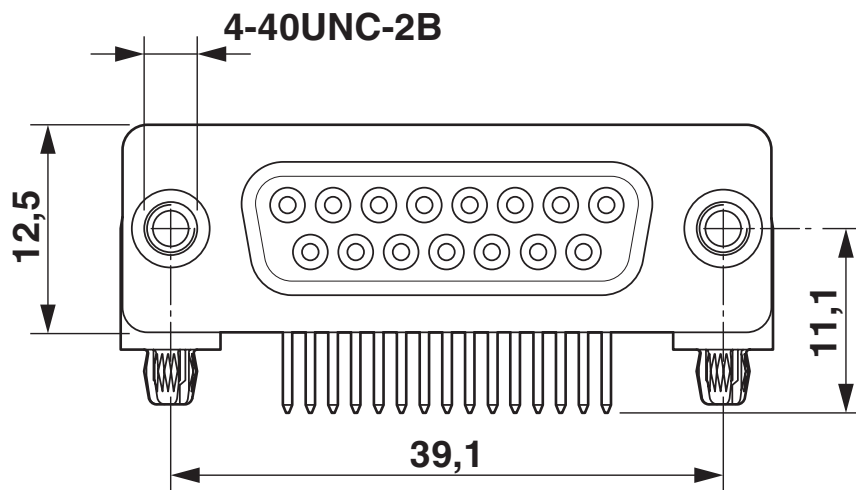
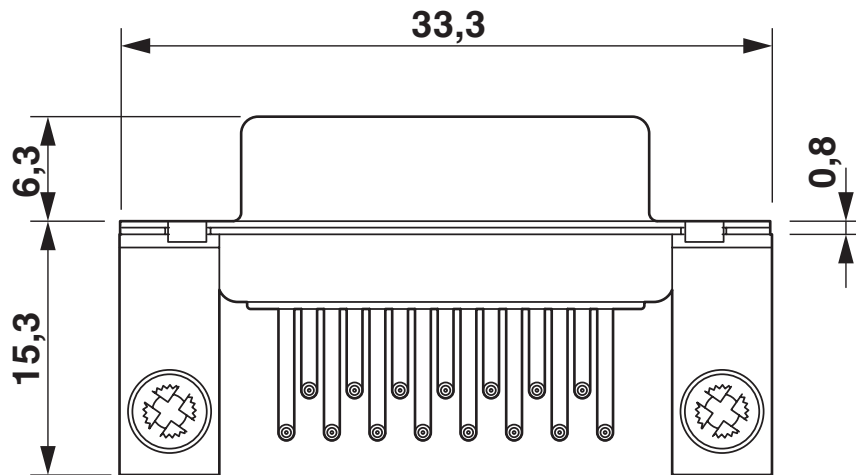


1421505

<https://www.phoenixcontact.com/us/products/1421505>

Drawings

Dimensional drawing



D-SUB contact insert

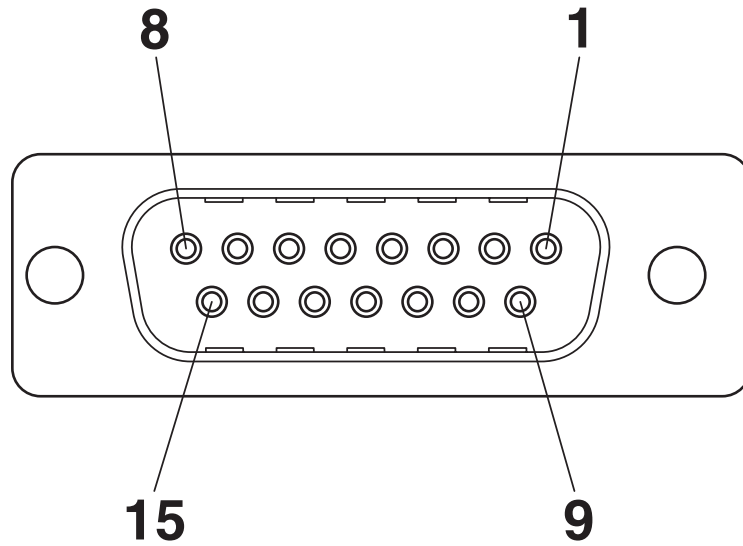
CUC-DSI-Y1STZ-A/DSL5A15:50 - Contact insert

1421505

<https://www.phoenixcontact.com/us/products/1421505>



Schematic diagram



CUC-DSI-Y1STZ-A/DSLSEA15:50 - Contact insert



1421505

<https://www.phoenixcontact.com/us/products/1421505>

Classifications

ECLASS

ECLASS-13.0	27440214
ECLASS-15.0	27440392

ETIM

ETIM 9.0	EC001136
----------	----------

UNSPSC

UNSPSC 21.0	31261500
-------------	----------

CUC-DSI-Y1STZ-A/DSLSEA15:50 - Contact insert



1421505

<https://www.phoenixcontact.com/us/products/1421505>

Environmental product compliance

EU RoHS

Fulfills EU RoHS substance requirements	Yes, No exemptions
---	--------------------

China RoHS

Environment friendly use period (EFUP)	EFUP-E
	No hazardous substances above the limits

EU REACH SVHC

REACH candidate substance (CAS No.)	No substance above 0.1 wt%
-------------------------------------	----------------------------

Phoenix Contact 2026 © - all rights reserved
<https://www.phoenixcontact.com>

Phoenix Contact USA
586 Fulling Mill Road
Middletown, PA 17057, United States
(+717) 944-1300
info@phoenixcon.com