

HC-EVO-B06-SHWS-2SSM25-PLRBK - Housing



1421229

<https://www.phoenixcontact.com/us/products/1421229>

Please be informed that the data shown in this PDF document is generated from our online catalog. Please find the complete data in the user documentation. Our general terms of use for downloads are valid.



Surface mounting housing B6, with single locking latch, material: PA 6.6-FR, cable outlets: 2, lateral, 2x M25, height: 74 mm, cable gland: none, Standard, including 2x reducing adapter

Your advantages

- Lower costs than metal version
- Low weight
- Lower risk of condensation

Commercial data

| | |
|--------------------------------------|---------------|
| Item number | 1421229 |
| Packing unit | 1 pc |
| Minimum order quantity | 1 pc |
| Sales key | BF57 |
| Product key | AF7APL |
| GTIN | 4055626264387 |
| Weight per piece (including packing) | 147.3 g |
| Weight per piece (excluding packing) | 147.3 g |
| Customs tariff number | 85389099 |
| Country of origin | PL |

HC-EVO-B06-SHWS-2SSM25-PLRBK - Housing



1421229

<https://www.phoenixcontact.com/us/products/1421229>

Technical data

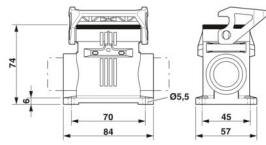
Notes

| | |
|---------|--|
| General | For contact inserts HC-B6, BB10, DD24, M |
|---------|--|

Product properties

| | |
|------------------------------|----------------------------|
| Product type | Housing with locking latch |
| Housing type | Surface mounting housing |
| Product family | HC-EVO-B |
| Application | Standard |
| Type | B6 |
| No. of cable outlets | 2 |
| Type of the screw connection | 2x M25 |
| Cable outlet | lateral |
| Pg screw connection | none |

Dimensions

| | |
|---------------------|--|
| Dimensional drawing |  |
| Width | 57 mm |
| Height | 74 mm |
| Length | 84 mm |
| Hole diameter | 5.5 mm |

Material specifications

| | |
|--|--------------------------------|
| Flammability rating according to UL 94 | V0 (Housing) V0 (Interlock) |
| Seal material | NBR |
| Housing material | PA 6.6-FR |
| Locking latch material | PA |

Mechanical properties

Mechanical data

| | |
|------------------------------|--------|
| Type of the screw connection | 2x M25 |
| Locking type | Latch |

Connection data

| | |
|-------------------|---|
| Tightening torque | 2 Nm ... 3 Nm (for M5 mounting screws on the surface-mount housing) |
|-------------------|---|

Mounting

HC-EVO-B06-SHWS-2SSM25-PLRBK - Housing



1421229

<https://www.phoenixcontact.com/us/products/1421229>

| | |
|---------------|---|
| Assembly note | Two plastic reductions M32 to M25 are provided |
| | One of the two openings for the screw connections is sealed but can be broken open using a screwdriver. |

Environmental and real-life conditions

Ambient conditions

| | |
|---------------------------------|-------------------|
| Degree of protection | IP66 |
| Enclosure rating (NEMA) | 12 (UL 50e) |
| Impact strength | IK08 |
| Ambient temperature (operation) | -40 °C ... 125 °C |

HC-EVO-B06-SHWS-2SSM25-PLRBK - Housing

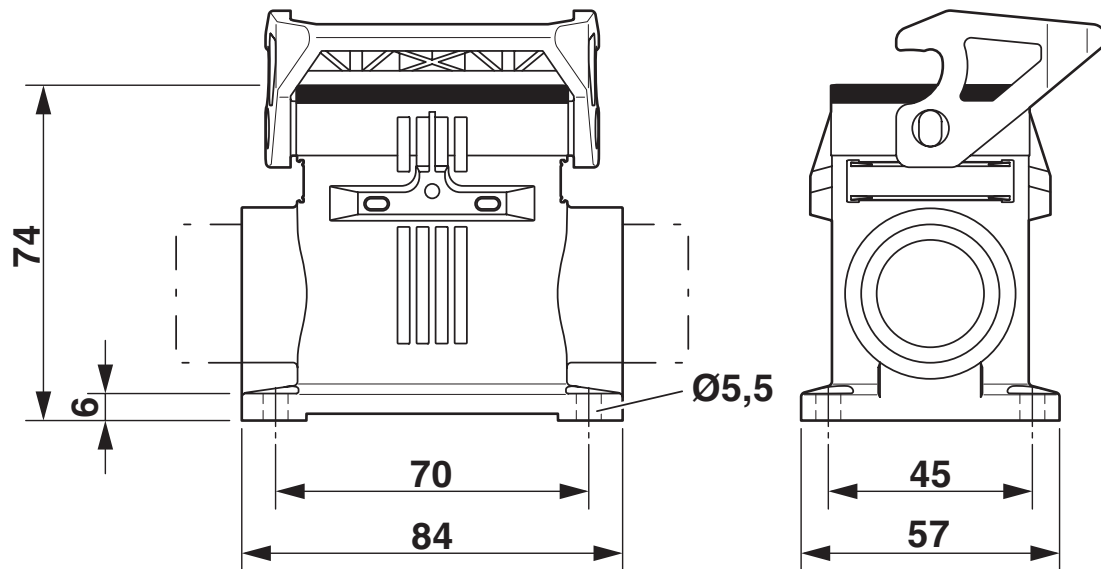


1421229

<https://www.phoenixcontact.com/us/products/1421229>

Drawings

Dimensional drawing



Dimensional drawing

1421229

<https://www.phoenixcontact.com/us/products/1421229>

Approvals

To download certificates, visit the product detail page: <https://www.phoenixcontact.com/us/products/1421229>

DNV

Approval ID: TAE000037S



cUL Recognized

Approval ID: E255026



UL Recognized

Approval ID: E255026



EAC

Approval ID: RU C-DE.AI30.B.01102

1421229

<https://www.phoenixcontact.com/us/products/1421229>

Classifications

ECLASS

| | |
|-------------|----------|
| ECLASS-13.0 | 27440202 |
| ECLASS-15.0 | 27440202 |

ETIM

| | |
|-----------|----------|
| ETIM 10.0 | EC000437 |
|-----------|----------|

UNSPSC

| | |
|-------------|----------|
| UNSPSC 21.0 | 31261500 |
|-------------|----------|

1421229

<https://www.phoenixcontact.com/us/products/1421229>

Environmental product compliance

EU RoHS

| | |
|---|--------------------|
| Fulfills EU RoHS substance requirements | Yes, No exemptions |
|---|--------------------|

China RoHS

| | |
|--|--|
| Environment friendly use period (EFUP) | EFUP-E |
| | No hazardous substances above the limits |

EU REACH SVHC

| | |
|-------------------------------------|----------------------------|
| REACH candidate substance (CAS No.) | No substance above 0.1 wt% |
|-------------------------------------|----------------------------|

EF3.1 Climate Change

| | |
|---------|---------------|
| CO2e kg | 1.148 kg CO2e |
|---------|---------------|

Phoenix Contact 2026 © - all rights reserved
<https://www.phoenixcontact.com>

Phoenix Contact USA
586 Fulling Mill Road
Middletown, PA 17057, United States
(+717) 944-1300
info@phoenixcon.com