

# SAC-5P-MS/0,6-500/M12FR-3L FB - Sensor/actuator cable



1421019

<https://www.phoenixcontact.com/us/products/1421019>

Please be informed that the data shown in this PDF document is generated from our online catalog. Please find the complete data in the user documentation. Our general terms of use for downloads are valid.



Sensor/actuator cable, 5-position, PVC, gray RAL 7001, Plug straight M12, coding: A, with 3 LEDs, on Socket angled M12, coding: A, with 3 LEDs, cable length: 0.6 m, with high-grade steel knurl

## Your advantages

- Easy and safe: 100 % electrically tested plug-in components
- Convenient: increased machine availability thanks to quick and easy diagnostics
- Contamination can be detected quickly – thanks to the light color

## Commercial data

Item number	1421019
Packing unit	1 pc
Minimum order quantity	1 pc
Note	Made to order (non-returnable)
Sales key	BF03
Product key	AF1CDA
GTIN	4055626250496
Weight per piece (including packing)	61.26 g
Weight per piece (excluding packing)	52.22 g
Customs tariff number	85444290
Country of origin	PL

# SAC-5P-MS/0,6-500/M12FR-3L FB - Sensor/actuator cable



1421019

<https://www.phoenixcontact.com/us/products/1421019>

## Technical data

### Product properties

Product type	Sensor/actuator cable
Application	Food processing industry
Number of positions	5
No. of cable outlets	1
Shielded	no
Coding	A

### Insulation characteristics

Overvoltage category	II
Degree of pollution	3

### Material specifications

Material of grip body	PP
Contact material	CuSn
Contact surface material	Ni/Au
Contact carrier material	PP
Material for screw connection	Stainless steel

### Electrical properties

Insulation resistance	$\geq 100 \text{ M}\Omega$
Nominal voltage $U_N$	24 V DC
Nominal current $I_N$	4 A

### Mechanical properties

#### Mechanical data

Insertion/withdrawal cycles	$\geq 100$
-----------------------------	------------

### Signaling

Status display	3 LEDs
Status display present	yes

### Connector

#### Connection 1

Type	Plug straight M12
Number of positions	5
Coding type	A

#### Connection 2

Type	Socket angled M12
Number of positions	5
Coding type	A

# SAC-5P-MS/0,6-500/M12FR-3L FB - Sensor/actuator cable



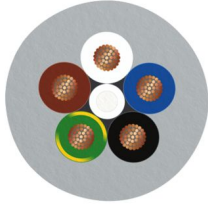
1421019

<https://www.phoenixcontact.com/us/products/1421019>

## Cable/line

Cable length	0.6 m
--------------	-------

PVC gray [500]

Dimensional drawing	
Cable weight	51 kg/km
UL AWM Style	2464 / 1729 (80°C/300 V)
Number of positions	5
Shielded	no
Cable type	PVC gray [500]
Conductor structure signal line	19x 0.15 mm
AWG signal line	22
Conductor cross-section	5x 0.34 mm <sup>2</sup> (Signal line)
Wire diameter incl. insulation	1.26 mm ±0.05 mm
External cable diameter	5.00 mm ±0.15 mm
Outer sheath, material	PVC
External sheath, color	gray RAL 7001
Conductor material	Bare Cu litz wires
Material wire insulation	PVC
Single wire, color	brown, white, blue, black, green-yellow
Thickness, insulation	≥ 0.23 mm (Core insulation)
Thickness, outer sheath	≥ 0.76 mm
Overall twist	5 wires around filler to the core
Max. conductor resistance	max. 57 Ω/km (at 20 °C)
Insulation resistance	≥ 200 MΩ*km (at 20 °C)
Nominal voltage, cable	≤ 300 V
Test voltage	≥ 3000 V
Minimum bending radius, fixed installation	5 x D
Minimum bending radius, flexible installation	10 x D
Smallest bending radius, fixed installation	25 mm
Smallest bending radius, movable installation	50 mm
Flame resistance	As per UL-Style 2464
Ambient temperature (operation)	-40 °C ... 80 °C (cable, fixed installation) -25 °C ... 80 °C (Cable, flexible installation)

## Environmental and real-life conditions

# SAC-5P-MS/0,6-500/M12FR-3L FB - Sensor/actuator cable



1421019

<https://www.phoenixcontact.com/us/products/1421019>

## Ambient conditions

Degree of protection	IP65
	IP67
	IP68
	IP69K
Ambient temperature (operation) (male connector/female connector)	-25 °C ... 90 °C (Plug / socket)

## Standards and regulations

Standard designation	M12 connector
Standards/specifications	IEC 61076-2-101

# SAC-5P-MS/0,6-500/M12FR-3L FB - Sensor/actuator cable

1421019

<https://www.phoenixcontact.com/us/products/1421019>

## Drawings

Dimensional drawing



Plug, M12 x 1, straight

Dimensional drawing



M12 x 1 socket, angled

# SAC-5P-MS/0,6-500/M12FR-3L FB - Sensor/actuator cable

1421019

<https://www.phoenixcontact.com/us/products/1421019>

Schematic diagram



Pin assignment M12 male connector, 5-pos., A-coded, male side

Schematic diagram



Pin assignment M12 socket, 5-pos., A-coded, socket side view

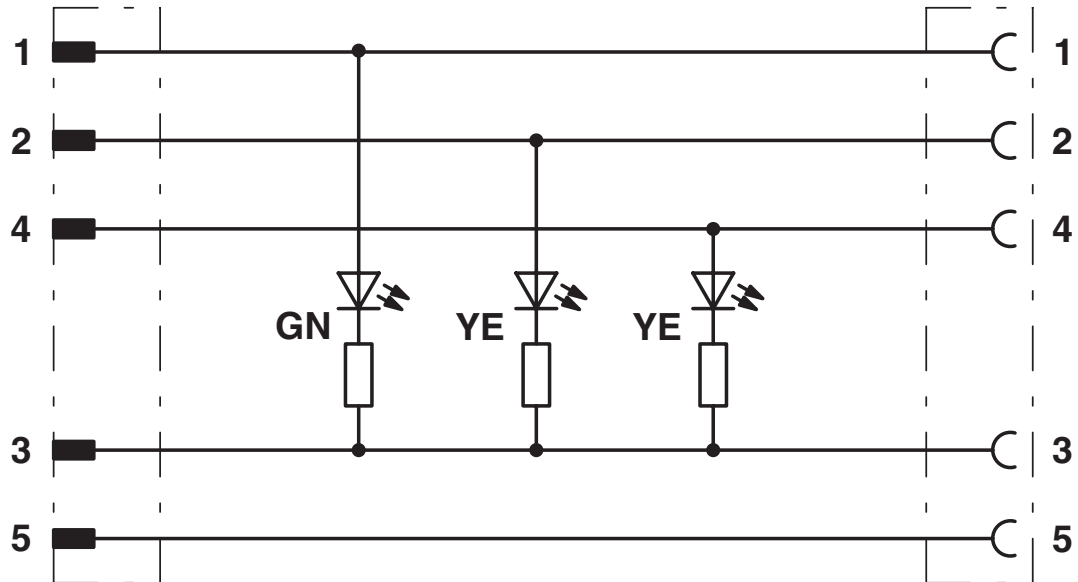
# SAC-5P-MS/0,6-500/M12FR-3L FB - Sensor/actuator cable



1421019

<https://www.phoenixcontact.com/us/products/1421019>

Circuit diagram



Contact assignment of M12 plugs / sockets with 3 LEDs

# SAC-5P-MS/0,6-500/M12FR-3L FB - Sensor/actuator cable



1421019

<https://www.phoenixcontact.com/us/products/1421019>

## Classifications

### ECLASS

ECLASS-13.0	27060311
ECLASS-15.0	27060311

### UNSPSC

UNSPSC 21.0	26121600
-------------	----------

# SAC-5P-MS/0,6-500/M12FR-3L FB - Sensor/actuator cable



1421019

<https://www.phoenixcontact.com/us/products/1421019>

## Environmental product compliance

### EU RoHS

Fulfills EU RoHS substance requirements	Yes, No exemptions
---	--------------------

### China RoHS

Environment friendly use period (EFUP)	EFUP-E
	No hazardous substances above the limits

### EU REACH SVHC

REACH candidate substance (CAS No.)	1,6,7,8,9,14,15,16,17,17,18,18-Dodecachloropentacyclo[12.2.1.16,9.02,13.05,10]octadeca-7,15-diene ("Dechlorane Plus™")(CAS: n/a)
SCIP	c160b49a-2374-4cdd-a354-836a4231337a

Phoenix Contact 2026 © - all rights reserved  
<https://www.phoenixcontact.com>

Phoenix Contact USA  
586 Fulling Mill Road  
Middletown, PA 17057, United States  
(+717) 944-1300  
[info@phoenixcon.com](mailto:info@phoenixcon.com)