

SAC-5P-3,0-500/M12FS FB - Sensor/actuator cable



1420999

<https://www.phoenixcontact.com/us/products/1420999>

Please be informed that the data shown in this PDF document is generated from our online catalog. Please find the complete data in the user documentation. Our general terms of use for downloads are valid.



Sensor/actuator cable, 5-position, PVC, gray RAL 7001, free cable end, on Socket straight M12, coding: A, cable length: 3 m, with high-grade steel knurl

Your advantages

- Easy and safe: 100 % electrically tested plug-in components
- Contamination can be detected quickly – thanks to the light color

Commercial data

| | |
|--------------------------------------|--------------------------------|
| Item number | 1420999 |
| Packing unit | 1 pc |
| Minimum order quantity | 1 pc |
| Note | Made to order (non-returnable) |
| Sales key | BF03 |
| Product key | AF1CDA |
| GTIN | 4055626250298 |
| Weight per piece (including packing) | 144.15 g |
| Weight per piece (excluding packing) | 135.11 g |
| Customs tariff number | 85444290 |
| Country of origin | PL |

1420999

<https://www.phoenixcontact.com/us/products/1420999>

Technical data

Product properties

| | |
|----------------------|--------------------------|
| Product type | Sensor/actuator cable |
| Application | Food processing industry |
| Number of positions | 5 |
| No. of cable outlets | 1 |
| Shielded | no |
| Coding | A |

Insulation characteristics

| | |
|----------------------|----|
| Overvoltage category | II |
| Degree of pollution | 3 |

Material specifications

| | |
|-------------------------------|-----------------|
| Material of grip body | PP |
| Contact material | CuSn |
| Contact surface material | Ni/Au |
| Contact carrier material | PP |
| Material for screw connection | Stainless steel |

Electrical properties

| | |
|-----------------------|----------------------------|
| Insulation resistance | $\geq 100 \text{ M}\Omega$ |
| Nominal voltage U_N | 48 V AC |
| | 60 V DC |
| Nominal current I_N | 4 A |

Mechanical properties

Mechanical data

| | |
|-----------------------------|------------|
| Insertion/withdrawal cycles | ≥ 100 |
|-----------------------------|------------|

Signaling

| | |
|------------------------|----|
| Status display | no |
| Status display present | no |

Connector

Connection 1

| | |
|------|----------------|
| Type | free cable end |
|------|----------------|

Connection 2

| | |
|---------------------|---------------------|
| Type | Socket straight M12 |
| Number of positions | 5 |
| Coding type | A |

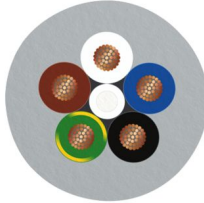
SAC-5P-3,0-500/M12FS FB - Sensor/actuator cable



1420999

<https://www.phoenixcontact.com/us/products/1420999>

Cable/line

| | |
|---|---|
| Cable length | 3 m |
| PVC gray [500] | |
| Dimensional drawing |  |
| Cable weight | 51 kg/km |
| UL AWM Style | 2464 / 1729 (80°C/300 V) |
| Number of positions | 5 |
| Shielded | no |
| Cable type | PVC gray [500] |
| Conductor structure signal line | 19x 0.15 mm |
| AWG signal line | 22 |
| Conductor cross-section | 5x 0.34 mm ² (Signal line) |
| Wire diameter incl. insulation | 1.26 mm ±0.05 mm |
| External cable diameter | 5.00 mm ±0.15 mm |
| Outer sheath, material | PVC |
| External sheath, color | gray RAL 7001 |
| Conductor material | Bare Cu litz wires |
| Material wire insulation | PVC |
| Single wire, color | brown, white, blue, black, green-yellow |
| Thickness, insulation | ≥ 0.23 mm (Core insulation) |
| Thickness, outer sheath | ≥ 0.76 mm |
| Overall twist | 5 wires around filler to the core |
| Max. conductor resistance | max. 57 Ω/km (at 20 °C) |
| Insulation resistance | ≥ 200 MΩ*km (at 20 °C) |
| Nominal voltage, cable | ≤ 300 V |
| Test voltage | ≥ 3000 V |
| Minimum bending radius, fixed installation | 5 x D |
| Minimum bending radius, flexible installation | 10 x D |
| Smallest bending radius, fixed installation | 25 mm |
| Smallest bending radius, movable installation | 50 mm |
| Flame resistance | As per UL-Style 2464 |
| Ambient temperature (operation) | -40 °C ... 80 °C (cable, fixed installation) -25 °C ... 80 °C (Cable, flexible installation) |

Environmental and real-life conditions

SAC-5P-3,0-500/M12FS FB - Sensor/actuator cable



1420999

<https://www.phoenixcontact.com/us/products/1420999>

Ambient conditions

| | |
|---|----------------------------------|
| Degree of protection | IP65 |
| | IP67 |
| | IP68 |
| | IP69K |
| Ambient temperature (operation) (male connector/female connector) | -25 °C ... 90 °C (Plug / socket) |

Standards and regulations

M12

| | |
|--------------------------|-----------------|
| Standard designation | M12 connector |
| Standards/specifications | IEC 61076-2-101 |

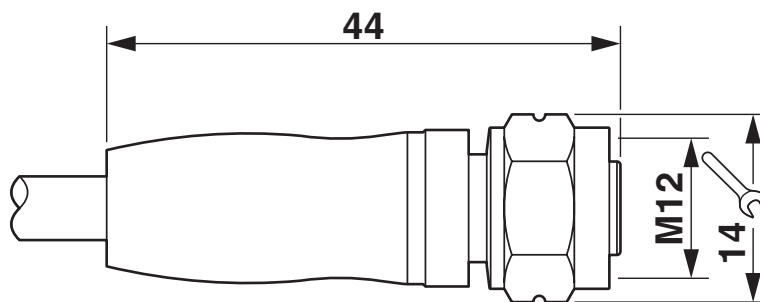
SAC-5P-3,0-500/M12FS FB - Sensor/actuator cable

1420999

<https://www.phoenixcontact.com/us/products/1420999>

Drawings

Dimensional drawing



M12 x 1 socket, straight

Schematic diagram



Pin assignment M12 socket, 5-pos., A-coded, socket side view

SAC-5P-3,0-500/M12FS FB - Sensor/actuator cable



1420999

<https://www.phoenixcontact.com/us/products/1420999>

Circuit diagram



Contact assignment of the M12 socket

SAC-5P-3,0-500/M12FS FB - Sensor/actuator cable



1420999

<https://www.phoenixcontact.com/us/products/1420999>

Classifications

ECLASS

| | |
|-------------|----------|
| ECLASS-13.0 | 27060311 |
| ECLASS-15.0 | 27060311 |

ETIM

| | |
|----------|----------|
| ETIM 9.0 | EC001855 |
|----------|----------|

UNSPSC

| | |
|-------------|----------|
| UNSPSC 21.0 | 26121600 |
|-------------|----------|

1420999

<https://www.phoenixcontact.com/us/products/1420999>

Environmental product compliance

EU RoHS

| | |
|---|--------------------|
| Fulfills EU RoHS substance requirements | Yes, No exemptions |
|---|--------------------|

China RoHS

| | |
|--|--|
| Environment friendly use period (EFUP) | EFUP-E |
| | No hazardous substances above the limits |

EU REACH SVHC

| | |
|-------------------------------------|--|
| REACH candidate substance (CAS No.) | 1,6,7,8,9,14,15,16,17,17,18,18-Dodecachloropentacyclo[12.2.1.16,9.02,13.05,10]octadeca-7,15-diene ("Dechlorane Plus™")(CAS: n/a) |
| SCIP | 9a56f12f-91ca-42ef-bdd6-d6e5b9528270 |

Phoenix Contact 2026 © - all rights reserved
<https://www.phoenixcontact.com>

Phoenix Contact USA
 586 Fulling Mill Road
 Middletown, PA 17057, United States
 (+717) 944-1300
info@phoenixcon.com