

# SAC-4P-M12MRS/10,0-PUR/FRS PE - Power cable



1420803

<https://www.phoenixcontact.com/us/products/1420803>

Please be informed that the data shown in this PDF document is generated from our online catalog. Please find the complete data in the user documentation. Our general terms of use for downloads are valid.



Power cable, 4-position, PUR halogen-free, black-gray RAL 7021, Plug angled M12, coding: S, on Socket angled M12, coding: S, cable length: 10 m, for AC current up to 12 A/690 V

## Your advantages

- Easy and safe: 100 % electrically tested plug-in components
- Protection against incorrect connection using special S-coding
- Our standard: robust halogen-free PUR cable

## Commercial data

Item number	1420803
Packing unit	1 pc
Minimum order quantity	50 pc
Note	Made to order (non-returnable)
Product key	AF1CCP
GTIN	4055626249520
Weight per piece (including packing)	1,161 g
Weight per piece (excluding packing)	22.22 g
Country of origin	PL

1420803

<https://www.phoenixcontact.com/us/products/1420803>

## Technical data

### Product properties

Product type	Power cable
Application	Energy supply
Number of positions	4
No. of cable outlets	1
Shielded	no
Coding	S

### Insulation characteristics

Overvoltage category	III
Degree of pollution	3

### Material specifications

Flammability rating according to UL 94	V0
Material of grip body	PP
Contact material	CuZn
Contact surface material	Ni/Au
Contact carrier material	PA
Material for screw connection	Zinc die-cast, nickel-plated

### Electrical properties

Insulation resistance	$\geq 100 \text{ M}\Omega$
Nominal voltage $U_N$	690 V AC
Nominal current $I_N$	12 A

### Mechanical properties

#### Mechanical data

Insertion/withdrawal cycles	> 100
-----------------------------	-------

### Connector

#### Connection 1

Type	Plug angled M12
Coding type	S (Power)

#### Connection 2

Type	Socket angled M12
Coding type	S (Power)

### Cable/line

Cable length	10 m
--------------	------

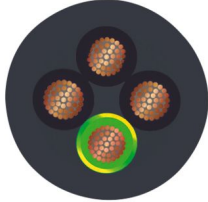
PUR halogen-free black [PUR]

# SAC-4P-M12MRS/10,0-PUR/FRS PE - Power cable



1420803

<https://www.phoenixcontact.com/us/products/1420803>

Dimensional drawing	
Cable weight	114 kg/km
UL AWM Style	20234 / 10492 (80°C/1000 V)
Number of positions	4
Shielded	no
Cable type	PUR halogen-free black [PUR]
Conductor structure, voltage supply	78x 0.15 mm
AWG power supply	16
Conductor cross-section	4x 1.5 mm <sup>2</sup>
Wire diameter incl. insulation	2.45 mm ±0.05 mm
External cable diameter	8.80 mm ±0.25 mm
Outer sheath, material	PUR
External sheath, color	black-gray RAL 7021
Conductor material	Bare Cu litz wires
Material wire insulation	PP
Single wire, color	black 1, black 2, black 3, green/yellow
Thickness, insulation	≥ 0.36 mm
Thickness, outer sheath	approx. 1.30 mm
Overall twist	4 wires, twisted
Length of twist, overall twist	93 mm
Max. conductor resistance	≤ 13 Ω/km (at 20 °C)
Insulation resistance	≥ 1 GΩ*km (at 20 °C)
Nominal voltage, cable	≤ 1000 V AC
Test voltage	≥ 10000 V AC (Spark test)
Minimum bending radius, fixed installation	5 x D
Minimum bending radius, flexible installation	10 x D
Smallest bending radius, fixed installation	44 mm
Smallest bending radius, movable installation	88 mm
Dynamic load capacity (bending)	Max. bending cycles: 2000000, Bending radius: 10 x D, Traversing path: 10 m, Traversing rate: 3 m/s, Acceleration: 10 m/s <sup>2</sup>
Halogen-free	in accordance with DIN VDE 0472 part 815 in accordance with DIN EN 50267-2-1
Flame resistance	According to UL 758/1581 (Cable Flame) according to UL 758/1581 FT1 According to DIN EN 60332-1-2
Resistance to oil	According to DIN EN 60811-2-1, 168 h at 100°C

# SAC-4P-M12MRS/10,0-PUR/FRS PE - Power cable



1420803

<https://www.phoenixcontact.com/us/products/1420803>

	according to UL 758, 168 h at 60 °C
Other resistance	Hydrolysis and microbe resistant as per VDE 0282 section 10
	Low adhesion
	abrasion-resistant
	Resistant to salt water
Ambient temperature (operation)	-50 °C ... 80 °C (cable, fixed installation)
	-30 °C ... 80 °C (Cable, flexible installation)

## Environmental and real-life conditions

### Ambient conditions

Degree of protection	IP65
	IP67 (without preloading, as additional test in accordance with IEC 60529)
Ambient temperature (operation) (male connector/female connector)	-25 °C ... 85 °C (Plug / socket)

## Standards and regulations

Standard designation	M12 connector
Standards/specifications	IEC 61076-2-111

1420803

<https://www.phoenixcontact.com/us/products/1420803>

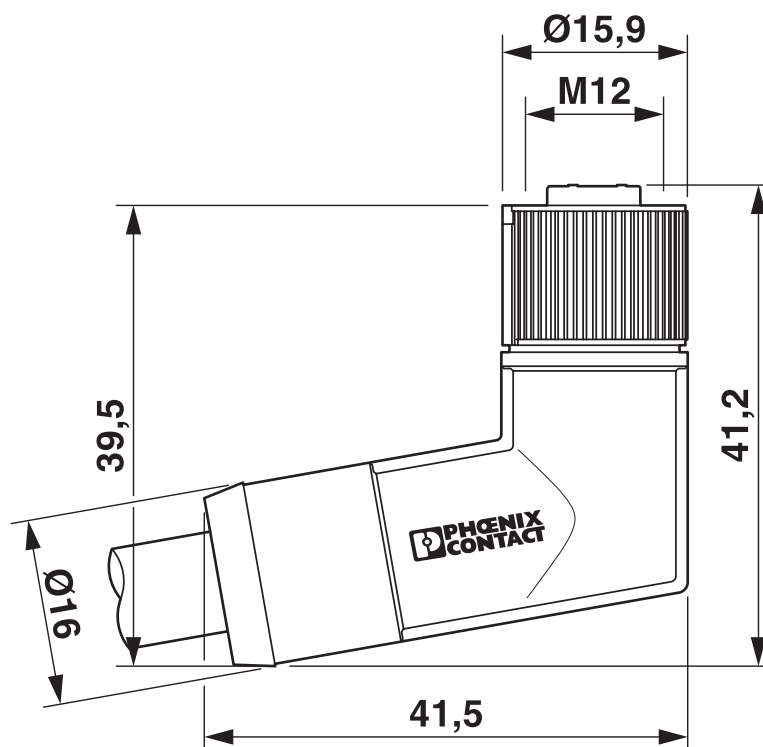
## Drawings

Dimensional drawing



M12 x 1 male plug, angled

Dimensional drawing



M12 x 1 socket, angled

Schematic diagram

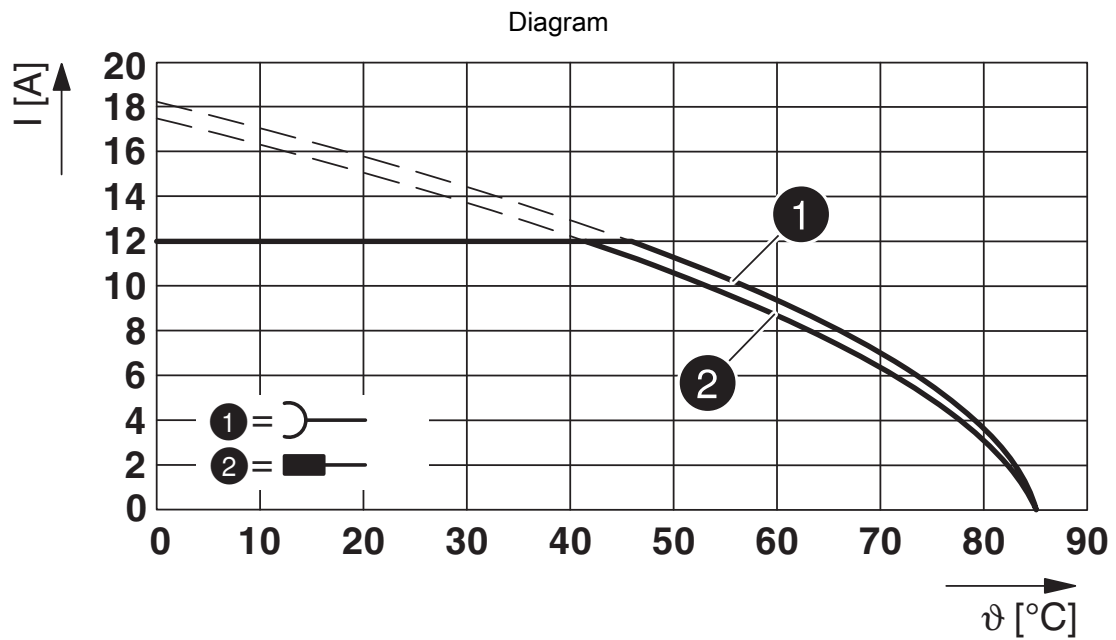


M12 plug pin assignment, 4-pos., S-coded, plug side view

Schematic diagram



Pin assignment of M12 socket, 4-pos., S-coded, socket side view



Base curve

Circuit diagram



Contact assignment of the M12 connector and the M12 socket

# SAC-4P-M12MRS/10,0-PUR/FRS PE - Power cable



1420803

<https://www.phoenixcontact.com/us/products/1420803>

## Classifications

### ECLASS

ECLASS-13.0	27060327
ECLASS-15.0	27060327

### UNSPSC

UNSPSC 21.0	26121600
-------------	----------

# SAC-4P-M12MRS/10,0-PUR/FRS PE - Power cable



1420803

<https://www.phoenixcontact.com/us/products/1420803>

## Environmental product compliance

### EU RoHS

Fulfills EU RoHS substance requirements	Yes, No exemptions
---	--------------------

### China RoHS

Environment friendly use period (EFUP)	EFUP-E
	No hazardous substances above the limits

### EU REACH SVHC

REACH candidate substance (CAS No.)	No substance above 0.1 wt%
-------------------------------------	----------------------------

Phoenix Contact 2026 © - all rights reserved  
<https://www.phoenixcontact.com>

Phoenix Contact USA  
586 Fulling Mill Road  
Middletown, PA 17057, United States  
(+717) 944-1300  
[info@phoenixcon.com](mailto:info@phoenixcon.com)