

# NBC-R4AC/100,0-93B/R4AC - Patch cable



1420496

<https://www.phoenixcontact.com/us/products/1420496>

Please be informed that the data shown in this PDF document is generated from our online catalog. Please find the complete data in the user documentation. Our general terms of use for downloads are valid.



Patch cable, degree of protection: IP20, cable length: 100 m, number of positions: 4, 100 Mbps, CAT5, material: PA 6.6, PROFINET

PROFINET patch cable

## Your advantages

- Perfect for industrial applications
- Perfect for office, building, and protected industrial applications (e.g., in control cabinets)
- Compact angle

## Commercial data

Item number	1420496
Packing unit	1 pc
Minimum order quantity	1 pc
Product key	ABNABA
GTIN	4055626224350
Weight per piece (including packing)	6,677 g
Weight per piece (excluding packing)	6,561.096 g
Country of origin	PL

# NBC-R4AC/100,0-93B/R4AC - Patch cable



1420496

<https://www.phoenixcontact.com/us/products/1420496>

## Technical data

### Product properties

Product type	Data cable preassembled
Product family	RJ45 INDUSTRIAL PN4 CAT5
Number of positions	4
Connection profile	RJ45 8(4)
Number of slots	1
Shielded	yes

### Insulation characteristics

Overvoltage category	I
Degree of pollution	1

### Interfaces

Signal type/category	PROFINET CAT5 (IEC 11801:2002), 100 Mbps EtherCAT®
----------------------	---

### Signaling

Status display	no
Status display present	no

### Electrical properties

Rated voltage (III/3)	72 V (DC)
Nominal voltage $U_N$	48 V
Nominal current $I_N$	1 A
Transmission medium	Copper
Transmission speed	100 Mbps
Transmission characteristics (category)	CAT5 (IEC 11801:2002)
Transmission speed	100 Mbps

### Mechanical properties

#### Mechanical data

Insertion/withdrawal cycles	≥ 750
Insertion force per signal contact	50.00 N
Extraction force per signal contact	30 N

### Material specifications

Flammability rating according to UL 94	V2
Housing material	PA 6.6
Contact material	CuSn
Contact surface material	Ni/Au
Outer sheath, material	PVC

# NBC-R4AC/100,0-93B/R4AC - Patch cable



1420496

<https://www.phoenixcontact.com/us/products/1420496>

## Connector

### Connection 1

Type	Plug straight RJ45
Shielded	yes
Handle color	black
Material	CuSn (Contact) Ni/Au (Contact surface) PA (Contact carrier) PA (Housing)
Insertion/withdrawal cycles	≥ 750
Degree of protection	IP20
Ambient temperature (operation)	-25 °C ... 80 °C


### Connection 2

Type	Plug straight RJ45
Shielded	yes
Handle color	black
Material	CuSn (Contact) Ni/Au (Contact surface) PA (Contact carrier) PA (Housing)
Insertion/withdrawal cycles	≥ 750
Degree of protection	IP20
Ambient temperature (operation)	-25 °C ... 80 °C

## Cable/line

Cable length	100.00 m
--------------	----------

### PROFINET PVC stranded CAT5 [93B]

Dimensional drawing	
Note	Minimum bending radius 4 x D
Shielded	yes
Cable type	PROFINET PVC stranded CAT5
Cable type (abbreviation)	93B
Signal type/category	PROFINET CAT5 (IEC 11801:2002), 100 Mbps
Cable structure	1x4xAWG22/7, SF/TQ

# NBC-R4AC/100,0-93B/R4AC - Patch cable



1420496

<https://www.phoenixcontact.com/us/products/1420496>

External cable diameter	6.50 mm
Outer sheath, material	PVC
External sheath, color	green RAL 6018
Conductor material	Tin-plated Cu litz wires
Conductor structure signal line	7x 0.25 mm
AWG signal line	22
Conductor cross-section	4x 0.34 mm <sup>2</sup>
Wire diameter incl. insulation	approx. 1.5 mm
Single wire, color	white, yellow, blue, orange
Wave impedance	100 Ω ±15 Ω (at 1 ... 100 MHz)
Smallest bending radius, fixed installation	30 mm
Smallest bending radius, movable installation	60 mm

## Environmental and real-life conditions

### Ambient conditions

Degree of protection	IP20
Ambient temperature (operation) (male connector/female connector)	-25 °C ... 80 °C (RJ45 connector)

# NBC-R4AC/100,0-93B/R4AC - Patch cable

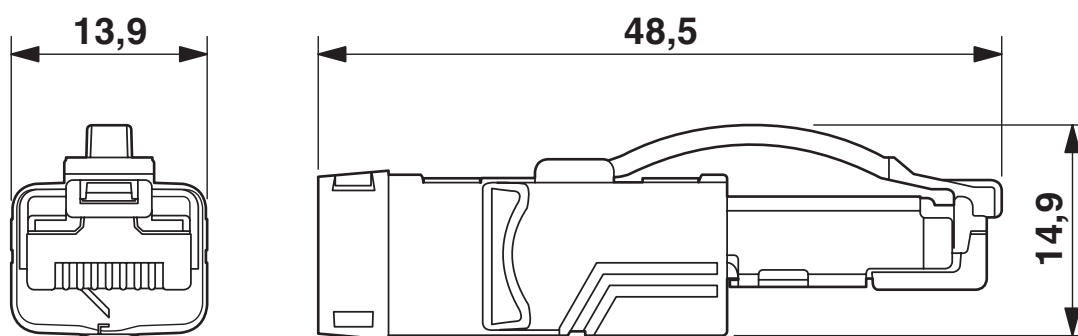


1420496

<https://www.phoenixcontact.com/us/products/1420496>

## Drawings

Dimensional drawing



RJ45 connector, IP20

# NBC-R4AC/100,0-93B/R4AC - Patch cable

1420496

<https://www.phoenixcontact.com/us/products/1420496>

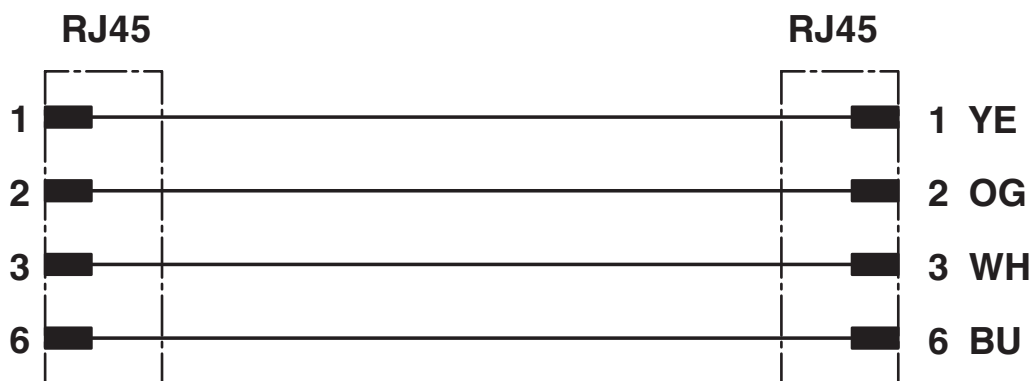


Schematic diagram



Connector pin assignment plug RJ45

Circuit diagram



Contact assignment of RJ45 plugs

# NBC-R4AC/100,0-93B/R4AC - Patch cable



1420496

<https://www.phoenixcontact.com/us/products/1420496>

## Classifications

### ECLASS

ECLASS-13.0	27060307
ECLASS-15.0	27060307

### ETIM

ETIM 9.0	EC001855
----------	----------

### UNSPSC

UNSPSC 21.0	26121600
-------------	----------

# NBC-R4AC/100,0-93B/R4AC - Patch cable



1420496

<https://www.phoenixcontact.com/us/products/1420496>

## Environmental product compliance

### EU RoHS

Fulfills EU RoHS substance requirements	Yes, No exemptions
---	--------------------

### China RoHS

Environment friendly use period (EFUP)	EFUP-E
	No hazardous substances above the limits

### EU REACH SVHC

REACH candidate substance (CAS No.)	No substance above 0.1 wt%
-------------------------------------	----------------------------

Phoenix Contact 2026 © - all rights reserved  
<https://www.phoenixcontact.com>

Phoenix Contact USA  
586 Fulling Mill Road  
Middletown, PA 17057, United States  
(+717) 944-1300  
[info@phoenixcon.com](mailto:info@phoenixcon.com)