

HC-STA-B16-HHWD-BLANK-EL-AL - Housing



1420044

<https://www.phoenixcontact.com/us/products/1420044>

Please be informed that the data shown in this PDF document is generated from our online catalog. Please find the complete data in the user documentation. Our general terms of use for downloads are valid.



Sleeve housing B16, with double locking latch, material: Die-cast aluminum, salt water resistant, variable, height: 76 mm, cable gland: none, Standard, Without thread opening for screw connection

Product description

Sleeve housing, without screw thread

Your advantages

- Good shielding in the event of electromagnetic interference

Commercial data

| | |
|--------------------------------------|---------------|
| Item number | 1420044 |
| Packing unit | 1 pc |
| Minimum order quantity | 1 pc |
| Sales key | BF56 |
| Product key | AF7APB |
| GTIN | 4055626201412 |
| Weight per piece (including packing) | 271.3 g |
| Weight per piece (excluding packing) | 271.3 g |
| Customs tariff number | 85389099 |
| Country of origin | CN |

HC-STA-B16-HHWD-BLANK-EL-AL - Housing

1420044

<https://www.phoenixcontact.com/us/products/1420044>

Technical data

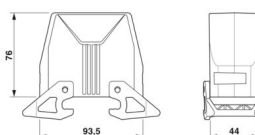
Notes

| | |
|-----------------------------|--|
| Notes on the product family | For contact inserts HC-B16, BB32, D40, DD72, HS6, HV6, M, K |
| Note on application | compatible with module carrier frames with click-in function |

Product properties

| | |
|---------------------|----------------------------|
| Product type | Housing with locking latch |
| Housing type | Sleeve housing |
| Application | Standard |
| Type | B16 |
| Cable outlet | variable |
| Pg screw connection | none |

Dimensions

| | |
|---------------------|--|
| Dimensional drawing |  |
| Width | 44 mm |
| Height | 76 mm |
| Length | 93.5 mm |

Material specifications

| | |
|--|---|
| Flammability rating according to UL 94 | V0 (Interlock) |
| Housing material | Die-cast aluminum, salt water resistant |
| Housing surface material | uncoated |
| Locking latch material | PA |

Mechanical properties

Mechanical data

| | |
|--------------|-------|
| Locking type | Latch |
|--------------|-------|

Environmental and real-life conditions

Ambient conditions

| | |
|---------------------------------|--|
| Degree of protection | IP66 IP67 |
| Enclosure rating (NEMA) | 4 (UL 50e) 4X (UL 50e) 12 (UL 50e) |
| Impact strength | IK09 |
| Ambient temperature (operation) | -40 °C ... 125 °C |

HC-STA-B16-HHWD-BLANK-EL-AL - Housing

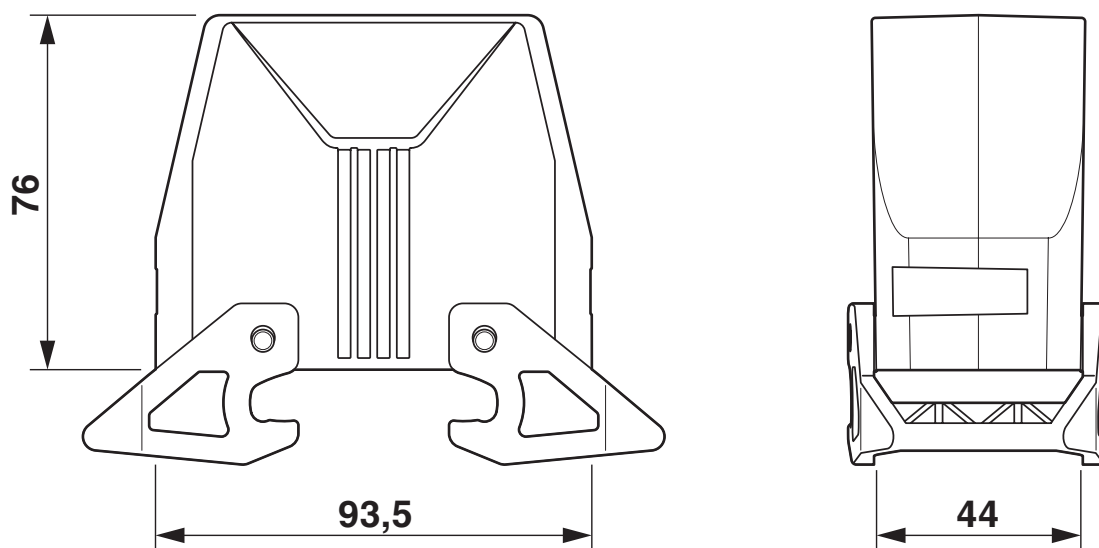


1420044

<https://www.phoenixcontact.com/us/products/1420044>

Drawings

Dimensional drawing



Dimensional drawing

HC-STA-B16-HHWD-BLANK-EL-AL - Housing



1420044

<https://www.phoenixcontact.com/us/products/1420044>

Approvals

🔗 To download certificates, visit the product detail page: <https://www.phoenixcontact.com/us/products/1420044>

DNV

Approval ID: TAE000037S



EAC

Approval ID: RU C-DE.AI30.B.01102

HC-STA-B16-HHWD-BLANK-EL-AL - Housing



1420044

<https://www.phoenixcontact.com/us/products/1420044>

Classifications

ECLASS

| | |
|-------------|----------|
| ECLASS-13.0 | 27440202 |
| ECLASS-15.0 | 27440202 |

ETIM

| | |
|-----------|----------|
| ETIM 10.0 | EC000437 |
|-----------|----------|

UNSPSC

| | |
|-------------|----------|
| UNSPSC 21.0 | 31261500 |
|-------------|----------|

1420044

<https://www.phoenixcontact.com/us/products/1420044>

Environmental product compliance

EU RoHS

| | |
|---|--------------------|
| Fulfills EU RoHS substance requirements | Yes, No exemptions |
|---|--------------------|

China RoHS

| | |
|--|--|
| Environment friendly use period (EFUP) | EFUP-E |
| | No hazardous substances above the limits |

EU REACH SVHC

| | |
|-------------------------------------|----------------------------|
| REACH candidate substance (CAS No.) | No substance above 0.1 wt% |
|-------------------------------------|----------------------------|

EF3.1 Climate Change

| | |
|---------|---------------|
| CO2e kg | 4.223 kg CO2e |
|---------|---------------|

Phoenix Contact 2026 © - all rights reserved
<https://www.phoenixcontact.com>

Phoenix Contact USA
586 Fulling Mill Road
Middletown, PA 17057, United States
(+717) 944-1300
info@phoenixcon.com