

1420023

<https://www.phoenixcontact.com/us/products/1420023>

Please be informed that the data shown in this PDF document is generated from our online catalog. Please find the complete data in the user documentation. Our general terms of use for downloads are valid.



1\*12-insert 3U module, type: 19"-rack mount patch module, degree of protection: IP20, number of positions: 1\*12, marking material: aluminum, identification symbol: A, color: gray

## Product description

Module, alphabetical printing

## Your advantages

- Compact design with MT ferrule
- Plug-and-play
- Front release without special tool
- All connections on the front side
- Space-saving module insert with high packing density
- Can be flexibly installed in module carrier
- Easy to extend with the modular design

## Commercial data

Item number	1420023
Packing unit	1 pc
Minimum order quantity	1 pc
Sales key	AB15
Product key	ABNHAS
GTIN	4055626202112
Weight per piece (including packing)	352.9 g
Weight per piece (excluding packing)	700 g
Customs tariff number	85367000
Country of origin	CN

1420023

<https://www.phoenixcontact.com/us/products/1420023>

## Technical data

### Product properties

Product type	Network distributor box
Housing type	Component housing
Type	3RU
Number of positions	12
No. of cable outlets	0
Number of module slots	6
Protective cover	yes

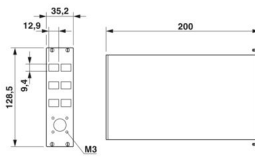
### Electrical properties

Attenuation	typ. 0.35 dB
	max. 0.6 dB
Transmission medium	Multi-mode fiberglass

### Interfaces

Signal type/category	Ethernet
----------------------	----------

### Dimensions

Dimensional drawing	
Width	35.2 mm
Height	128.5 mm
Depth	200 mm

### Material specifications

Color	gray
Flammability rating according to UL 94	V0
Ferrule material	Zirconia ceramics
Housing material	Aluminum alloy
Housing surface material	Powder-coated, gray
Outer sheath, material	LSFH

### Cable/line

Cable type	Multimode fiberglass
Cable type	Fan out
Signal type/category	Ethernet
Outer sheath, material	LSFH
Halogen-free	complying with IEC 60754-1/2

1420023

<https://www.phoenixcontact.com/us/products/1420023>

## FO cable

Number of fibers	12
Fiber	62.5/125 µm OM1
Fiber type	Multimode fiberglass 62.5/125 µm
Attenuation	typ. 0.15 dB
Transmission medium	Multi-mode fiberglass

## Mechanical properties

### Mechanical data

Insertion/withdrawal cycles	≥ 500 (In the event of repeated cleaning)
-----------------------------	---

## Characteristics

Attenuation	typ. 0.35 dB
-------------	--------------

## Environmental and real-life conditions

### Ambient conditions

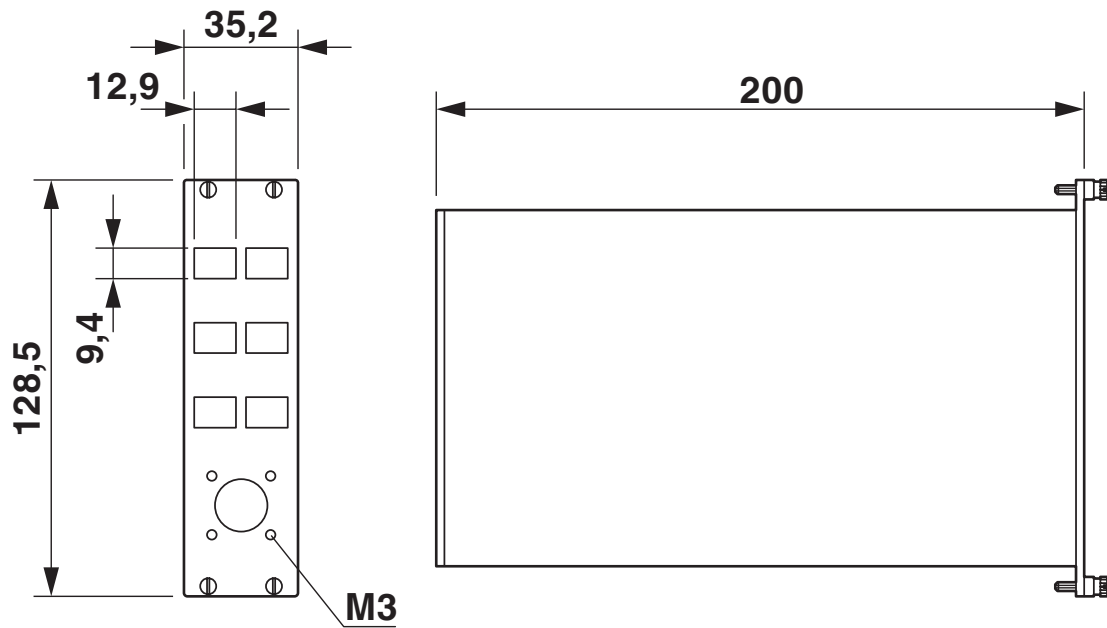
Degree of protection	IP20
	IP20
	IP67
Ambient temperature (operation)	-40 °C ... 85 °C (IEC 61300-2-22)

## Mounting

Mounting type	Screw mounting
---------------	----------------

Drawings

Dimensional drawing



1420023

<https://www.phoenixcontact.com/us/products/1420023>

## Classifications

### ECLASS

ECLASS-13.0	19170113
-------------	----------

### UNSPSC

UNSPSC 21.0	43223300
-------------	----------

1420023

<https://www.phoenixcontact.com/us/products/1420023>

## Environmental product compliance

### EU RoHS

Fulfills EU RoHS substance requirements	Yes, No exemptions
---	--------------------

### China RoHS

Environment friendly use period (EFUP)	EFUP-E
	No hazardous substances above the limits

### EU REACH SVHC

REACH candidate substance (CAS No.)	No substance above 0.1 wt%
-------------------------------------	----------------------------

Phoenix Contact 2026 © - all rights reserved  
<https://www.phoenixcontact.com>

Phoenix Contact USA  
586 Fulling Mill Road  
Middletown, PA 17057, United States  
(+717) 944-1300  
[info@phoenixcon.com](mailto:info@phoenixcon.com)