

QPD N 4PE2,5 9-16 BK VPE50 - Nut

1419981

<https://www.phoenixcontact.com/us/products/1419981>

Please be informed that the data shown in this PDF document is generated from our online catalog. Please find the complete data in the user documentation. Our general terms of use for downloads are valid.



QUICKON nut, black, 4+PE-pos., 1.0 mm² ... 2.5 mm²/690 V/20 A, for cables with 9 mm ... 16 mm diameter.

Your advantages

- Innovative and time saving - QUICKON fast connection for time saving of up to 80 % for on-site connection
- Robust throughout: housing with IP68/IP69K and IK07 protection for a wide range of applications

Commercial data

Item number	1419981
Packing unit	50 pc
Minimum order quantity	50 pc
Product key	AF6UCX
GTIN	4055626199726
Weight per piece (including packing)	40.2 g
Weight per piece (excluding packing)	40.2 g
Country of origin	PL

Technical data

Product properties

Product type	Installation pressure nut
Product family	QPD
Type	QPD 5x2,5
Number of positions	5
Connection profile	4+PE
Number of connections	10

Insulation characteristics

Overvoltage category	III
Degree of pollution	3

Electrical properties

Rated surge voltage (II/2)	8 kV
Rated surge voltage (III/2)	8 kV
Rated surge voltage (III/3)	8 kV
Rated current	20 A
rated voltage (II/2)	1000 V
rated voltage (III/2)	1000 V
Rated voltage (III/3)	690 V
Nominal current I_N	20 A

Connection data

Connection technology

Connection method On the field side	IDC connection
Frequency of connections between conductors of the same cross section	max. 10

Conductor connection

Conductor cross-section flexibel	1 mm ² ... 2.5 mm ²
Conductor cross-section solid	1 mm ² ... 2.5 mm ²
Connection cross section AWG	16 ... 14
Tightening torque Union nut	10 Nm
Wrench size Union nut	27 mm

Material specifications

Color	black (RAL 9005)
Material Housing	PA
Flammability rating according to UL 94	V0
Material wire insulation	PVC/PE/TPE/rubber
Contact carrier material	PA

QPD N 4PE2,5 9-16 BK VPE50 - Nut



1419981

<https://www.phoenixcontact.com/us/products/1419981>

Cable/line

Structure of individual litz in acc. with VDE 0295 / smallest wire diameter	VDE 0295 class 1 to 6/min. 0.15 mm
External cable diameter	9 mm ... 16 mm
Wire diameter including insulation	2 mm ... 3.8 mm
Material wire insulation	PVC/PE/TPE/rubber

Environmental and real-life conditions

Ambient conditions

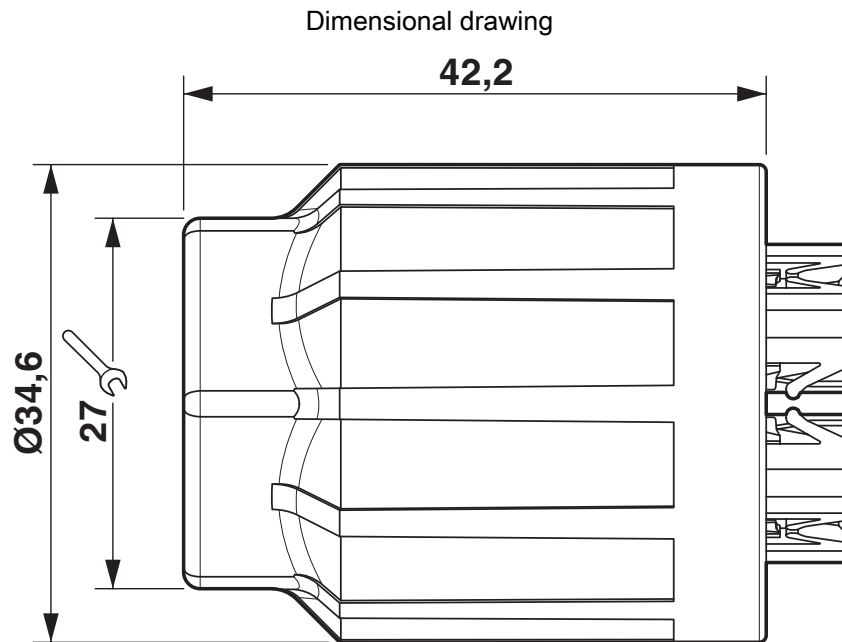
Degree of protection	IP66
	IP68 (2 m / 24 h)
	IP69K
Impact strength	IK07
Ambient temperature (operation)	-40 °C ... 100 °C
Temperature when conductor connected	-5 °C ... 50 °C
Ambient temperature (storage/transport)	-40 °C ... 80 °C

QPD N 4PE2,5 9-16 BK VPE50 - Nut

1419981

<https://www.phoenixcontact.com/us/products/1419981>

Drawings



Dimensional drawing of the QPD nut 5x2,5

QPD N 4PE2,5 9-16 BK VPE50 - Nut



1419981

<https://www.phoenixcontact.com/us/products/1419981>

Classifications

ECLASS

ECLASS-13.0	27440691
ECLASS-15.0	27440691

QPD N 4PE2,5 9-16 BK VPE50 - Nut



1419981

<https://www.phoenixcontact.com/us/products/1419981>

Environmental product compliance

China RoHS

Environment friendly use period (EFUP)	EFUP-E
	No hazardous substances above the limits

EU REACH SVHC

REACH candidate substance (CAS No.)	No substance above 0.1 wt%
-------------------------------------	----------------------------

Phoenix Contact 2026 © - all rights reserved
<https://www.phoenixcontact.com>

Phoenix Contact USA
586 Fulling Mill Road
Middletown, PA 17057, United States
(+717) 944-1300
info@phoenixcon.com