

FOC-MODUL:3U-OS12-LCD6-OM1 - Module



1419978

<https://www.phoenixcontact.com/us/products/1419978>

Please be informed that the data shown in this PDF document is generated from our online catalog. Please find the complete data in the user documentation. Our general terms of use for downloads are valid.



1*12-insert 3U module, type: 19"-rack mount patch module, degree of protection: IP20, number of positions: 1*12, marking material: aluminum, color: gray

Your advantages

- Compact design with MT ferrule
- Plug-and-play
- Front release without special tool
- All connections on the front side
- Space-saving module insert with high packing density
- Can be flexibly installed in module carrier
- Easy to extend with the modular design

Commercial data

Item number	1419978
Packing unit	1 pc
Minimum order quantity	1 pc
Sales key	AB15
Product key	ABNHAC
GTIN	4055626198286
Weight per piece (including packing)	366.5 g
Weight per piece (excluding packing)	350 g
Customs tariff number	85367000
Country of origin	CN

1419978

<https://www.phoenixcontact.com/us/products/1419978>

Technical data

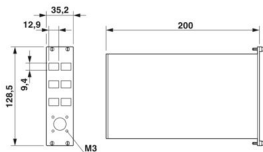
Product properties

Product type	Network distributor box
Housing type	Component housing
Type	3RU
Sensor type	Ethernet
Number of positions	12
No. of cable outlets	0
Number of module slots	6
Protective cover	yes

Electrical properties

Attenuation	typ. 0.35 dB
	max. 0.6 dB
Transmission medium	Multi-mode fiberglass

Dimensions

Dimensional drawing	
Width	35.2 mm
Height	128.5 mm
Depth	200 mm

Material specifications

Color	gray
Flammability rating according to UL 94	V0
Ferrule material	Zirconia ceramics
Housing material	Aluminum alloy
Housing surface material	Powder-coated, gray
Outer sheath, material	LSFH

Cable/line

Cable type	Multimode fiberglass
Cable type	Fan out
Outer sheath, material	LSFH
Halogen-free	complying with IEC 60754-1/2

FO cable

Number of fibers	12
------------------	----

1419978

<https://www.phoenixcontact.com/us/products/1419978>

Fiber	62.5/125 µm OM1
Fiber type	Multimode fiberglass 62.5/125 µm
Attenuation	typ. 0.15 dB
Transmission medium	Multi-mode fiberglass

Mechanical properties

Mechanical data

Insertion/withdrawal cycles	≥ 500 (In the event of repeated cleaning)
-----------------------------	---

Characteristics

Attenuation	typ. 0.35 dB
-------------	--------------

Environmental and real-life conditions

Ambient conditions

Degree of protection	IP20
	IP20
	IP67
Ambient temperature (operation)	-40 °C ... 85 °C (IEC 61300-2-22)

Mounting

Mounting type	Screw mounting
---------------	----------------

FOC-MODUL:3U-OS12-LCD6-OM1 - Module

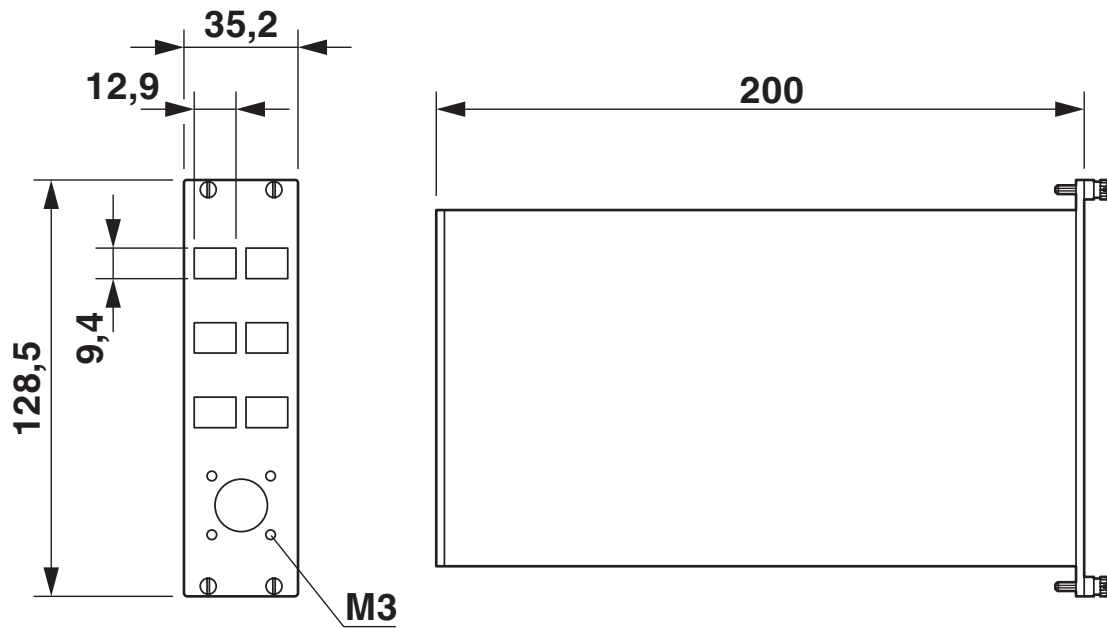


1419978

<https://www.phoenixcontact.com/us/products/1419978>

Drawings

Dimensional drawing



1419978

<https://www.phoenixcontact.com/us/products/1419978>

Classifications

ECLASS

ECLASS-13.0

19170113

ETIM

ETIM 9.0

EC002635

UNSPSC

UNSPSC 21.0

39121400

1419978

<https://www.phoenixcontact.com/us/products/1419978>

Environmental product compliance

EU RoHS

Fulfills EU RoHS substance requirements	Yes, No exemptions
---	--------------------

China RoHS

Environment friendly use period (EFUP)	EFUP-E
	No hazardous substances above the limits

EU REACH SVHC

REACH candidate substance (CAS No.)	No substance above 0.1 wt%
-------------------------------------	----------------------------

Phoenix Contact 2026 © - all rights reserved
<https://www.phoenixcontact.com>

Phoenix Contact USA
586 Fulling Mill Road
Middletown, PA 17057, United States
(+717) 944-1300
info@phoenixcon.com