

# HC-Q03-I-CT-M - Contact insert



1419896

<https://www.phoenixcontact.com/us/products/1419896>

Please be informed that the data shown in this PDF document is generated from our online catalog. Please find the complete data in the user documentation. Our general terms of use for downloads are valid.



Contact insert, number of positions: 3+PE, size: D7, number of connections per position: 1, Pin, Crimp connection, 400 V, 40 A, 1.5 mm<sup>2</sup> ... 10 mm<sup>2</sup>, application: Power

## Your advantages

- Shock and vibration-resistant in accordance with DIN EN 61373

## Commercial data

Item number	1419896
Packing unit	1 pc
Minimum order quantity	1 pc
Sales key	BF61
Product key	AF7ABJ
GTIN	4055626256153
Weight per piece (including packing)	12.9 g
Weight per piece (excluding packing)	12.3 g
Customs tariff number	85389099
Country of origin	CN

# HC-Q03-I-CT-M - Contact insert

1419896

<https://www.phoenixcontact.com/us/products/1419896>

## Technical data

### Notes

General	For HC-D7 housing, crimp contacts CK 4.0. Crimp contacts not included in scope of supply.
General	Connectors may be operated only when there is no load/voltage.

### Mounting

Assembly note	To ensure correct use, installation in housing with IP54 protection or better is required
---------------	---

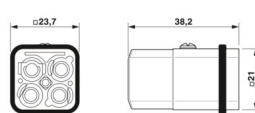
### Product properties

Product type	Contact insert with a fixed no. of positions
Series	HC-HS
Application	Power
Type	D7
Number of positions	3
Connection profile	3+PE
Contact numbering	1 - 2
Number of connections per position	1
Contact material type	turned

### Insulation characteristics

Overvoltage category	III
Degree of pollution	3

### Dimensions

Dimensional drawing	
Width	21 mm
Height	40 mm
Length	21 mm

### Mechanical characteristics

Contact diameter	4 mm
------------------	------

### Connection data

#### Connection technology

Connection technology	Crimp connection Crimp connection (PE contact)
Number of connections per position	1

# HC-Q03-I-CT-M - Contact insert



1419896

<https://www.phoenixcontact.com/us/products/1419896>

Connection in acc. with standard	IEC / EN
----------------------------------	----------

## Conductor connection

Conductor cross-section	1.5 mm <sup>2</sup> ... 10 mm <sup>2</sup>
Connection cross section AWG	16 ... 10
Tightening torque	0.5 Nm ... 0.8 Nm (Mounting screws for mounting in the HEAVYCON housing)
Stripping length of the individual wire	9 mm (2,5 mm <sup>2</sup> ... 6,0 mm <sup>2</sup> )
	11 mm (for 10 mm <sup>2</sup> )

## Electrical properties

Rated voltage (III/3)	400 V
Rated surge voltage	6 kV
Rated current	40 A

## Mechanical properties

### Mechanical data

Insertion/withdrawal cycles	≥ 500
-----------------------------	-------

## Material specifications

Flammability rating according to UL 94	V0
Seal material	NBR, conductive
Contact material	Copper alloy
Contact surface material	Ag
Contact carrier material	PC
Standards/regulations	PC

## Environmental and real-life conditions

### Ambient conditions

Degree of protection	IP20
Ambient temperature (operation)	-40 °C ... 125 °C (including heating up of contacts)

## Standards and regulations

Constructional and testing regulations	DIN VDE 0627/86
	DIN VDE 0110/02.79
	DIN VDE 0110-1/04.97
	IEC 60664-1, DIN IEC 60512
	IEC 60352
Tests	DIN VDE 0627/86
	DIN VDE 0110/02.79
	DIN VDE 0110-1/04.97
	IEC 60664-1, DIN IEC 60512
	IEC 60352

## Testing

# HC-Q03-I-CT-M - Contact insert



1419896

<https://www.phoenixcontact.com/us/products/1419896>

## Standards/regulations

PC: Fire protection in rail vehicles - requirement sets R22, R23, and R24 acc. to DIN EN 45545-2 (Risk level HL1 - HL3)

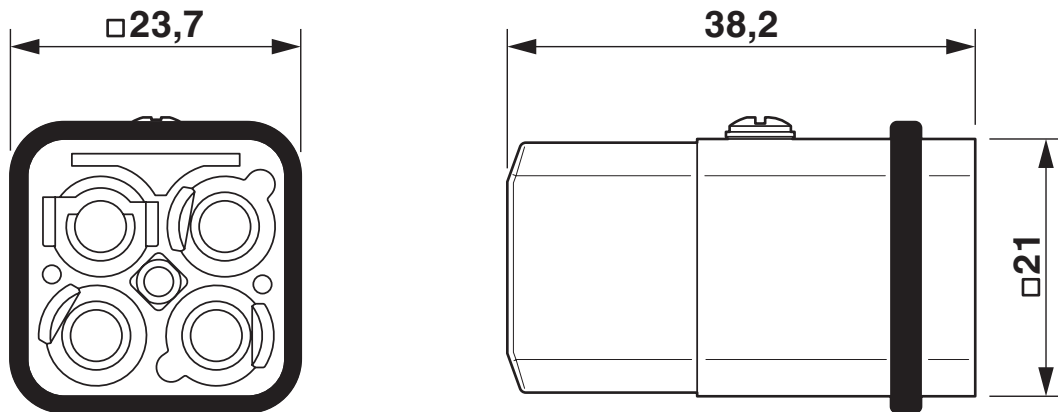
# HC-Q03-I-CT-M - Contact insert

1419896

<https://www.phoenixcontact.com/us/products/1419896>

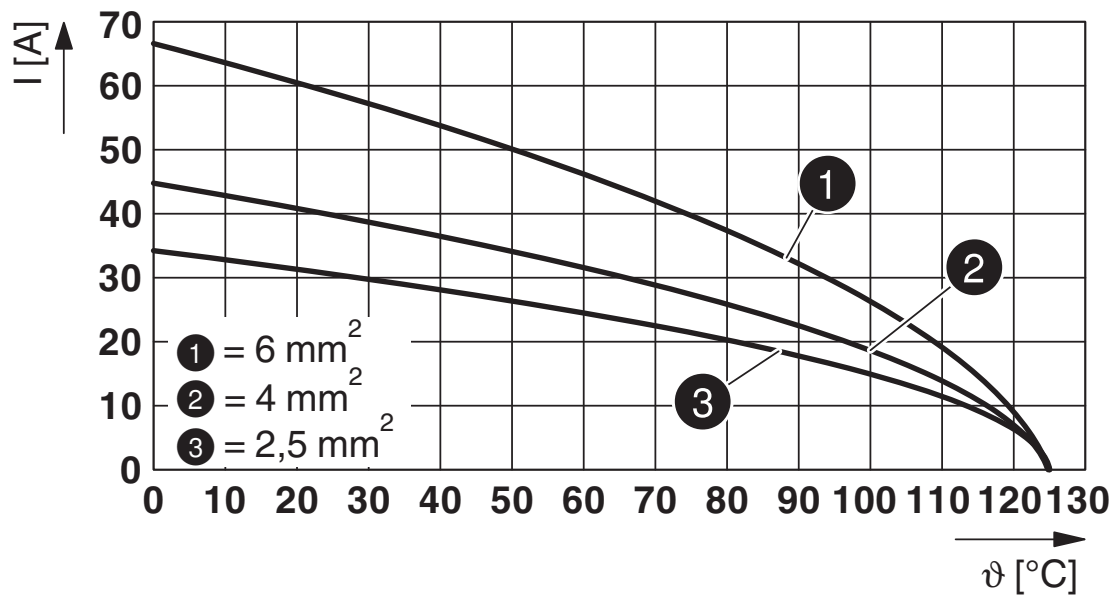
## Drawings

Dimensional drawing



## Male insert

Diagram



## Derating diagram

# HC-Q03-I-CT-M - Contact insert





1419896

<https://www.phoenixcontact.com/us/products/1419896>

## Approvals

To download certificates, visit the product detail page: <https://www.phoenixcontact.com/us/products/1419896>

 <b>UL Recognized</b> Approval ID: E118976				
	Nominal voltage $U_N$	Nominal current $I_N$	Cross section AWG	Cross section $\text{mm}^2$
keine				
	600 V	50 A	- 8	-

 <b>UL Recognized</b> Approval ID: E468743				
	Nominal voltage $U_N$	Nominal current $I_N$	Cross section AWG	Cross section $\text{mm}^2$
keine				
	600 V	45 A	-	-

# HC-Q03-I-CT-M - Contact insert



1419896

<https://www.phoenixcontact.com/us/products/1419896>

## Classifications

### ECLASS

ECLASS-13.0	27440205
ECLASS-15.0	27440205

### ETIM

ETIM 10.0	EC000438
-----------	----------

### UNSPSC

UNSPSC 21.0	39121500
-------------	----------

# HC-Q03-I-CT-M - Contact insert



1419896

<https://www.phoenixcontact.com/us/products/1419896>

## Environmental product compliance

### EU RoHS

Fulfills EU RoHS substance requirements	Yes, No exemptions
---	--------------------

### China RoHS

Environment friendly use period (EFUP)	EFUP-E
	No hazardous substances above the limits

### EU REACH SVHC

REACH candidate substance (CAS No.)	No substance above 0.1 wt%
-------------------------------------	----------------------------

Phoenix Contact 2026 © - all rights reserved  
<https://www.phoenixcontact.com>

Phoenix Contact USA  
586 Fulling Mill Road  
Middletown, PA 17057, United States  
(+717) 944-1300  
[info@phoenixcon.com](mailto:info@phoenixcon.com)