

HC-Q02-I-CT-F - Contact insert



1419895

<https://www.phoenixcontact.com/us/products/1419895>

Please be informed that the data shown in this PDF document is generated from our online catalog. Please find the complete data in the user documentation. Our general terms of use for downloads are valid.



Contact insert, number of positions: 2+PE, size: D7, number of connections per position: 1, Socket, Crimp connection, 400 V, 40 A, 1.5 mm² ... 10 mm², application: Power

Your advantages

- Shock and vibration-resistant in accordance with DIN EN 61373

Commercial data

| | |
|--------------------------------------|---------------|
| Item number | 1419895 |
| Packing unit | 1 pc |
| Minimum order quantity | 1 pc |
| Sales key | BF61 |
| Product key | AF7ABJ |
| GTIN | 4055626256146 |
| Weight per piece (including packing) | 9.5 g |
| Weight per piece (excluding packing) | 9.4 g |
| Customs tariff number | 85389099 |
| Country of origin | CN |

HC-Q02-I-CT-F - Contact insert

1419895

<https://www.phoenixcontact.com/us/products/1419895>

Technical data

Mounting

| | |
|---------------|---|
| Assembly note | To ensure correct use, installation in housing with IP54 protection or better is required |
|---------------|---|

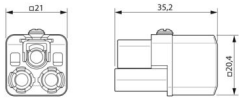
Product properties

| | |
|------------------------------------|--|
| Product type | Contact insert with a fixed no. of positions |
| Series | HC-HS |
| Application | Power |
| Type | D7 |
| Number of positions | 2 |
| Connection profile | 2+PE |
| Contact numbering | 1 - 2 |
| Number of connections per position | 1 |
| Contact material type | turned |

Insulation characteristics

| | |
|----------------------|-----|
| Overvoltage category | III |
| Degree of pollution | 3 |

Dimensions

| | |
|---------------------|--|
| Dimensional drawing |  |
| Width | 21 mm |
| Height | 34.8 mm |
| Length | 21 mm |

Mechanical characteristics

| | |
|------------------|------|
| Contact diameter | 4 mm |
|------------------|------|

Connection data

Connection technology

| | |
|------------------------------------|---|
| Connection technology | Crimp connection Crimp connection (PE contact) |
| Number of connections per position | 1 |
| Connection in acc. with standard | IEC / EN |

Conductor connection

| | |
|------------------------------|--|
| Conductor cross-section | 1.5 mm ² ... 10 mm ² |
| Connection cross section AWG | 16 ... 10 |

HC-Q02-I-CT-F - Contact insert



1419895

<https://www.phoenixcontact.com/us/products/1419895>

| | |
|---|--|
| Tightening torque | 0.5 Nm ... 0.8 Nm (Mounting screws for mounting in the HEAVYCON housing) |
| Stripping length of the individual wire | 9 mm (1.5 mm ² ... 6.0 mm ²) |
| | 11 mm (for 10 mm ²) |

Electrical properties

| | |
|-----------------------|-------|
| Rated voltage (III/3) | 400 V |
| Rated surge voltage | 6 kV |
| Rated current | 40 A |

Mechanical properties

Mechanical data

| | |
|-----------------------------|-------|
| Insertion/withdrawal cycles | ≥ 500 |
|-----------------------------|-------|

Material specifications

| | |
|--|--------------|
| Flammability rating according to UL 94 | V0 |
| Contact material | Copper alloy |
| Contact surface material | Ag |
| Contact carrier material | PC |
| Standards/regulations | PC |

Environmental and real-life conditions

Ambient conditions

| | |
|---------------------------------|--|
| Ambient temperature (operation) | -40 °C ... 125 °C (including heating up of contacts) |
|---------------------------------|--|

Standards and regulations

| | |
|--|----------------------------|
| Constructional and testing regulations | DIN VDE 0627/86 |
| | DIN VDE 0110/02.79 |
| | DIN VDE 0110-1/04.97 |
| | IEC 60664-1, DIN IEC 60512 |
| | IEC 60352 |
| Tests | DIN VDE 0627/86 |
| | DIN VDE 0110/02.79 |
| | DIN VDE 0110-1/04.97 |
| | IEC 60664-1, DIN IEC 60512 |
| | IEC 60352 |

Testing

| | |
|-----------------------|---|
| Standards/regulations | PC: Fire protection in rail vehicles - requirement sets R22, R23, and R24 acc. to DIN EN 45545-2 (Risk level HL1 - HL3) |
|-----------------------|---|

HC-Q02-I-CT-F - Contact insert

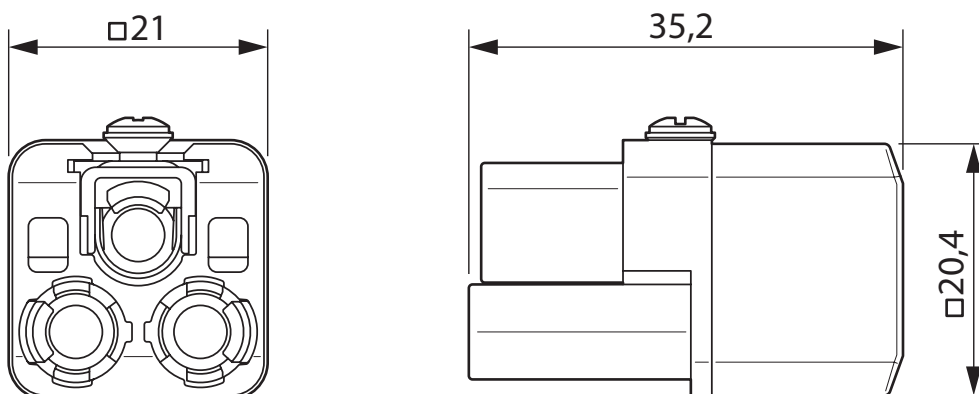
1419895

<https://www.phoenixcontact.com/us/products/1419895>



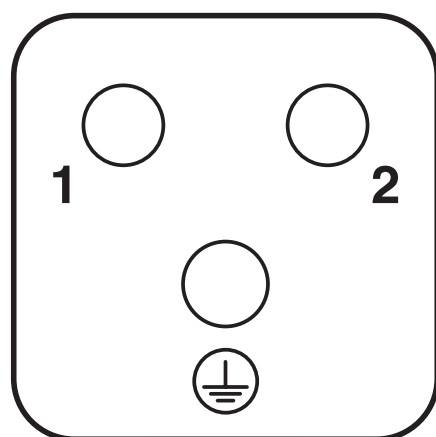
Drawings

Dimensional drawing



Female insert

Schematic diagram

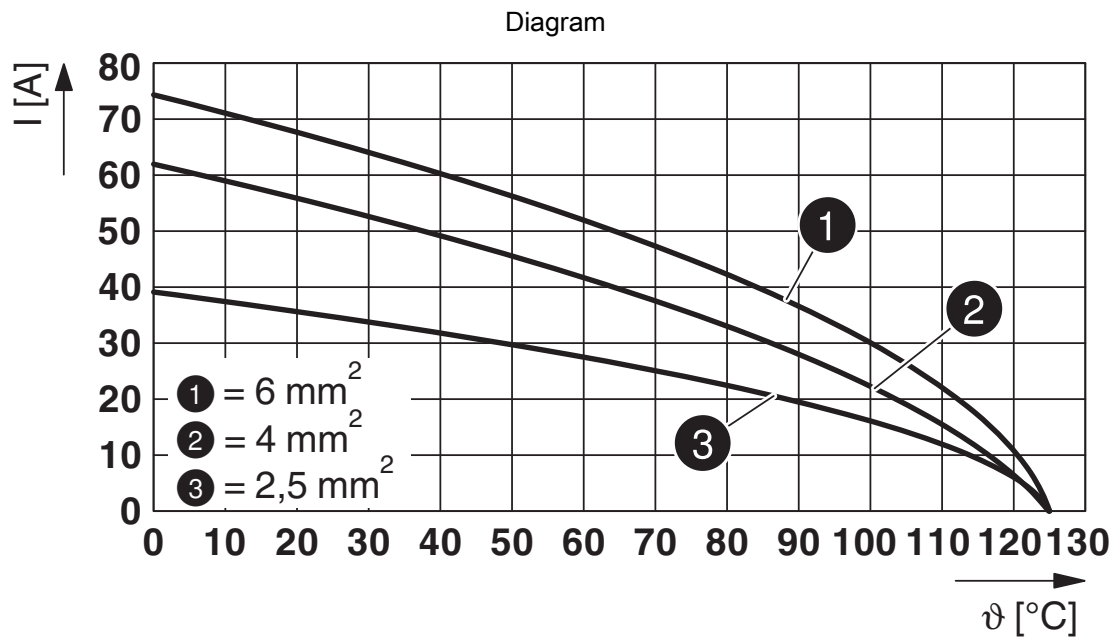


HC-Q02-I-CT-F - Contact insert



1419895

<https://www.phoenixcontact.com/us/products/1419895>



Derating diagram

HC-Q02-I-CT-F - Contact insert





1419895

<https://www.phoenixcontact.com/us/products/1419895>

Approvals

To download certificates, visit the product detail page: <https://www.phoenixcontact.com/us/products/1419895>

|  UL Recognized Approval ID: E118976 | | | | |
|--|-----------------------|-----------------------|-------------------|-----------------------------|
| | Nominal voltage U_N | Nominal current I_N | Cross section AWG | Cross section mm^2 |
| keine | | | | |
| | 600 V | 50 A | - 8 | - |

|  UL Recognized Approval ID: E468743 | | | | |
|--|-----------------------|-----------------------|-------------------|-----------------------------|
| | Nominal voltage U_N | Nominal current I_N | Cross section AWG | Cross section mm^2 |
| keine | | | | |
| | 600 V | 45 A | - | - |

HC-Q02-I-CT-F - Contact insert



1419895

<https://www.phoenixcontact.com/us/products/1419895>

Classifications

ECLASS

| | |
|-------------|----------|
| ECLASS-13.0 | 27440205 |
| ECLASS-15.0 | 27440205 |

ETIM

| | |
|-----------|----------|
| ETIM 10.0 | EC000438 |
|-----------|----------|

UNSPSC

| | |
|-------------|----------|
| UNSPSC 21.0 | 39121500 |
|-------------|----------|

HC-Q02-I-CT-F - Contact insert



1419895

<https://www.phoenixcontact.com/us/products/1419895>

Environmental product compliance

EU RoHS

| | |
|---|--------------------|
| Fulfills EU RoHS substance requirements | Yes, No exemptions |
|---|--------------------|

China RoHS

| | |
|--|--|
| Environment friendly use period (EFUP) | EFUP-E |
| | No hazardous substances above the limits |

EU REACH SVHC

| | |
|-------------------------------------|----------------------------|
| REACH candidate substance (CAS No.) | No substance above 0.1 wt% |
|-------------------------------------|----------------------------|

Phoenix Contact 2026 © - all rights reserved
<https://www.phoenixcontact.com>

Phoenix Contact USA
586 Fulling Mill Road
Middletown, PA 17057, United States
(+717) 944-1300
info@phoenixcon.com