

# HC-M-RJI-AD-08-PC-M - Contact insert module



1419888

<https://www.phoenixcontact.com/us/products/1419888>

Please be informed that the data shown in this PDF document is generated from our online catalog. Please find the complete data in the user documentation. Our general terms of use for downloads are valid.



Contact insert module, adapter for RJ45 connector, the matching RJ45 connectors can be found in the accessories list

## Commercial data

Item number	1419888
Packing unit	1 pc
Minimum order quantity	1 pc
Sales key	BF62
Product key	AF7ACE
GTIN	4055626253268
Weight per piece (including packing)	12.2 g
Weight per piece (excluding packing)	11.6 g
Customs tariff number	85389099
Country of origin	PL

# HC-M-RJI-AD-08-PC-M - Contact insert module



1419888

<https://www.phoenixcontact.com/us/products/1419888>

## Technical data

### Mounting

Assembly note	To ensure correct use, installation in housing with IP54 protection or better is required
---------------	---

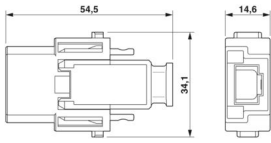
### Product properties

Product type	Modular contact insert
Series	HC-M-RJ45
Application	Data
Number of positions	8
Connection profile	RJ45
Contact numbering	1 - 8
No. of cable outlets	1
Number of module slots	1
Shielded	yes

### Insulation characteristics

Overvoltage category	III
Degree of pollution	3

### Dimensions

Dimensional drawing	
Width	34.2 mm
Height	54.5 mm
Length	14.6 mm

### Mechanical characteristics

Minimum housing height	72 mm
------------------------	-------

### Electrical properties

Rated voltage (III/3)	48 V
Rated surge voltage	0.8 kV
Rated current	1 A
Transmission characteristics (category)	CAT5e

### Mechanical properties

#### Mechanical data

Insertion/withdrawal cycles	≥ 500
-----------------------------	-------

### Material specifications

# HC-M-RJI-AD-08-PC-M - Contact insert module



1419888

<https://www.phoenixcontact.com/us/products/1419888>

Flammability rating according to UL 94	V0
Contact material	Copper alloy
Contact surface material	Au
Contact carrier material	PC
Standards/regulations	PC

## Environmental and real-life conditions

### Ambient conditions

Ambient temperature (operation)	-40 °C ... 70 °C
---------------------------------	------------------

## Standards and regulations

### Testing

Standards/regulations	PC: Fire protection in rail vehicles - requirement sets R22, R23, and R24 acc. to DIN EN 45545-2 (Risk level HL1 - HL3)
-----------------------	---

# HC-M-RJI-AD-08-PC-M - Contact insert module

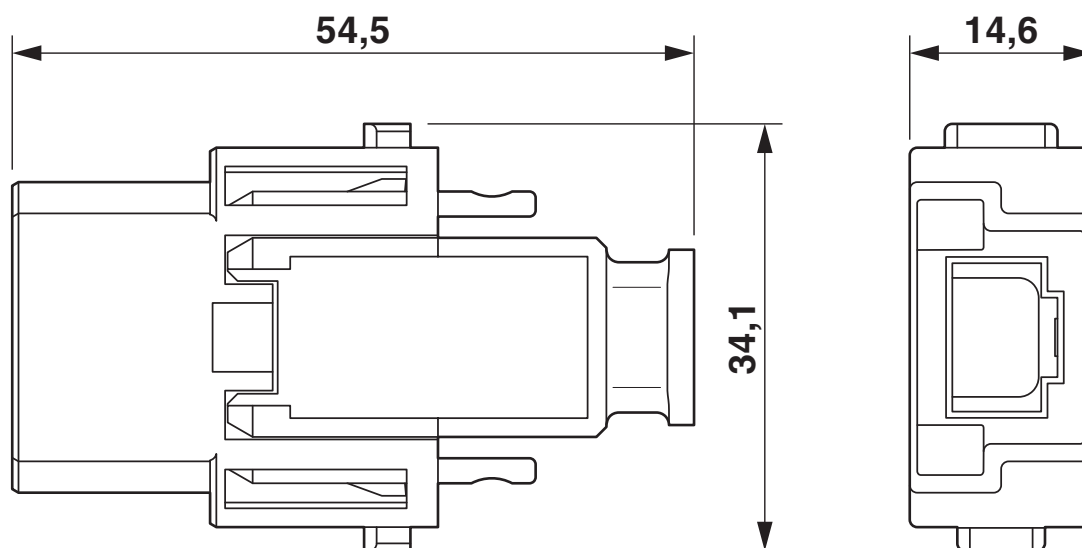


1419888

<https://www.phoenixcontact.com/us/products/1419888>

## Drawings

Dimensional drawing



Male insert

# HC-M-RJI-AD-08-PC-M - Contact insert module



1419888

<https://www.phoenixcontact.com/us/products/1419888>

## Approvals

🔗 To download certificates, visit the product detail page: <https://www.phoenixcontact.com/us/products/1419888>

**DNV**

Approval ID: TAE000037S



**CSA**

Approval ID: 158887



**UL Recognized**

Approval ID: E118976

# HC-M-RJI-AD-08-PC-M - Contact insert module



1419888

<https://www.phoenixcontact.com/us/products/1419888>

## Classifications

### ECLASS

ECLASS-13.0	27440218
ECLASS-15.0	27440207

### ETIM

ETIM 10.0	EC002943
-----------	----------

### UNSPSC

UNSPSC 21.0	39121400
-------------	----------

# HC-M-RJI-AD-08-PC-M - Contact insert module



1419888

<https://www.phoenixcontact.com/us/products/1419888>

## Environmental product compliance

### EU RoHS

Fulfills EU RoHS substance requirements	Yes, No exemptions
---	--------------------

### China RoHS

Environment friendly use period (EFUP)	EFUP-E
	No hazardous substances above the limits

### EU REACH SVHC

REACH candidate substance (CAS No.)	No substance above 0.1 wt%
-------------------------------------	----------------------------

### EF3.1 Climate Change

CO2e kg	0.072 kg CO2e
---------	---------------

Phoenix Contact 2026 © - all rights reserved  
<https://www.phoenixcontact.com>

Phoenix Contact USA  
586 Fulling Mill Road  
Middletown, PA 17057, United States  
(+717) 944-1300  
[info@phoenixcon.com](mailto:info@phoenixcon.com)