

# CUC-DST-GZNI-A/DSSC9 - D-SUB sleeve housings

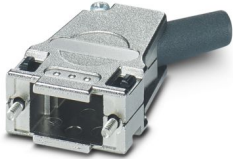


1419723

<https://www.phoenixcontact.com/us/products/1419723>

Please be informed that the data shown in this PDF document is generated from our online catalog. Please find the complete data in the user documentation. Our general terms of use for downloads are valid.

D-SUB sleeve housings, degree of protection: IP20, material: Die-cast zinc, cable outlet: angled, housing size: 1, color: Bare metallic



## Your advantages

- Easy to mount thanks to preassembled locking screws
- Angled conductor entry
- Antimagnetic plastic housing

## Commercial data

Item number	1419723
Packing unit	1 pc
Minimum order quantity	1 pc
Sales key	AB19
Product key	ABNCAE
GTIN	4055626188027
Weight per piece (including packing)	46.5 g
Weight per piece (excluding packing)	44.4 g
Customs tariff number	85389099
Country of origin	DE

1419723

<https://www.phoenixcontact.com/us/products/1419723>

## Technical data

### Product properties

Product type	Sleeve housings
Type	D-SUB
No. of cable outlets	1
Cable outlet	angled

### Connection data

Screw thread	4-40 UNC
--------------	----------

### Dimensions

Width	31.6 mm
Height	15.2 mm
Depth	52.8 mm

### Material specifications

Color	Bare metallic
Flammability rating according to UL 94	V0
Housing material	Die-cast zinc
Housing surface material	nickel-plated

### Cable/line

External cable diameter	3 mm ... 9.5 mm (Without bending protection)
-------------------------	--

### Environmental and real-life conditions

#### Ambient conditions

Degree of protection	IP20
Ambient temperature (operation)	-35 °C ... 100 °C

### Mounting

Mounting type	Screw locking mechanism
---------------	-------------------------

# CUC-DST-GZNI-A/DSSC9 - D-SUB sleeve housings

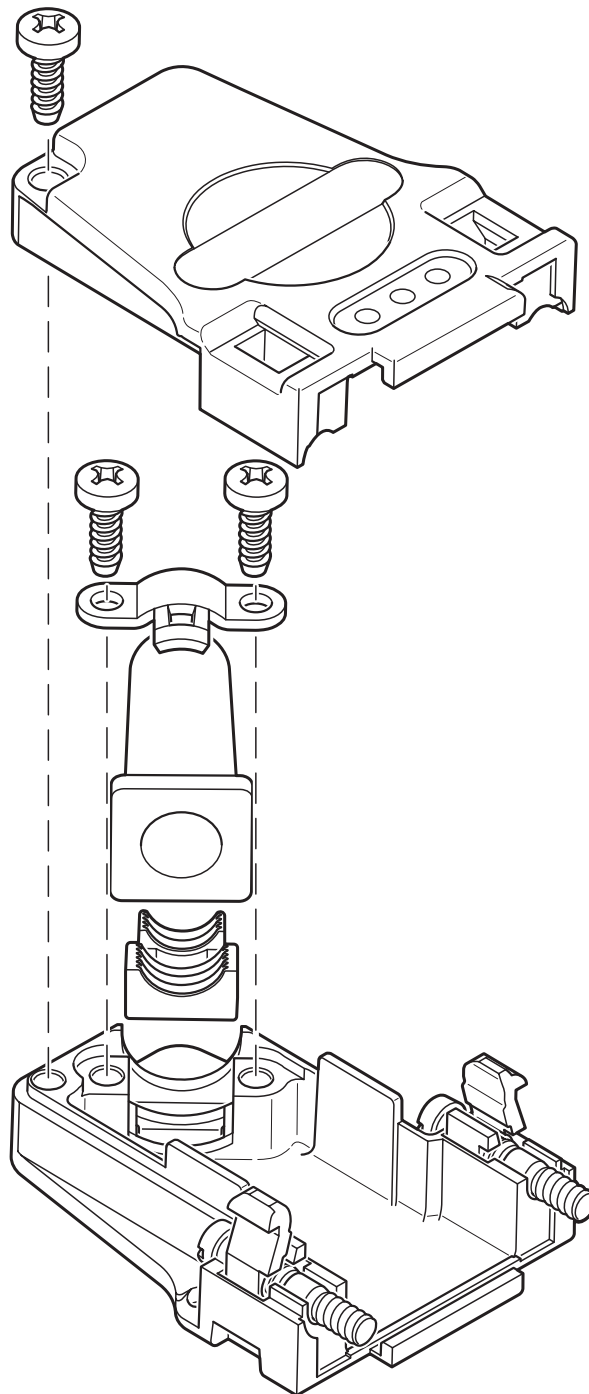
1419723

<https://www.phoenixcontact.com/us/products/1419723>



## Drawings

Schematic diagram



1419723

<https://www.phoenixcontact.com/us/products/1419723>

## Classifications

### ECLASS

ECLASS-13.0	27440202
ECLASS-15.0	27440202

### ETIM

ETIM 10.0	EC000437
-----------	----------

### UNSPSC

UNSPSC 21.0	31261500
-------------	----------

1419723

<https://www.phoenixcontact.com/us/products/1419723>

## Environmental product compliance

### EU RoHS

Fulfills EU RoHS substance requirements	Yes
Exemption	6(a), 6(a)-I

### China RoHS

Environment friendly use period (EFUP)	EFUP-50
	An article-related China RoHS declaration table can be found in the download area for the respective article under "Manufacturer declaration". For all articles with EFUP-E, no China RoHS declaration table issued and required.

### EU REACH SVHC

REACH candidate substance (CAS No.)	Lead(CAS: 7439-92-1)
SCIP	5e20e50c-3e35-4680-9c69-a4a141da75c9

### EF3.1 Climate Change

CO2e kg	0.495 kg CO2e
---------	---------------

Phoenix Contact 2026 © - all rights reserved  
<https://www.phoenixcontact.com>

Phoenix Contact USA  
 586 Fulling Mill Road  
 Middletown, PA 17057, United States  
 (+717) 944-1300  
[info@phoenixcon.com](mailto:info@phoenixcon.com)