

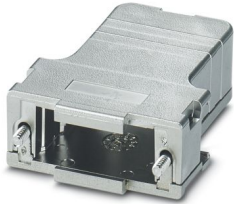
CUC-DST-GPME-A/DSSC15 - D-SUB sleeve housings



1419718

<https://www.phoenixcontact.com/us/products/1419718>

Please be informed that the data shown in this PDF document is generated from our online catalog. Please find the complete data in the user documentation. Our general terms of use for downloads are valid.



D-SUB sleeve housings, degree of protection: IP20, material: ABS, metal-plated, cable outlet: angled, housing size: 2, color: Bare metallic

Your advantages

- Easy to mount thanks to preassembled locking screws
- Angled conductor entry
- Antimagnetic plastic housing

Commercial data

Item number	1419718
Packing unit	1 pc
Minimum order quantity	1 pc
Sales key	AB19
Product key	ABNCAE
GTIN	4055626187884
Weight per piece (including packing)	18.2 g
Weight per piece (excluding packing)	15.73 g
Customs tariff number	85389099
Country of origin	DE

1419718

<https://www.phoenixcontact.com/us/products/1419718>

Technical data

Product properties

Product type	Sleeve housings
Type	D-SUB
No. of cable outlets	1
Cable outlet	angled

Connection data

Screw thread	4-40 UNC
--------------	----------

Dimensions

Width	41.2 mm
Height	16.2 mm
Depth	49.4 mm

Material specifications

Color	Bare metallic
Flammability rating according to UL 94	V0
Housing material	ABS, metal-plated
Housing surface material	metal-plated

Cable/line

External cable diameter	3.5 mm ... 8.6 mm
-------------------------	-------------------

Environmental and real-life conditions

Ambient conditions

Degree of protection	IP20
Ambient temperature (operation)	-35 °C ... 95 °C

Mounting

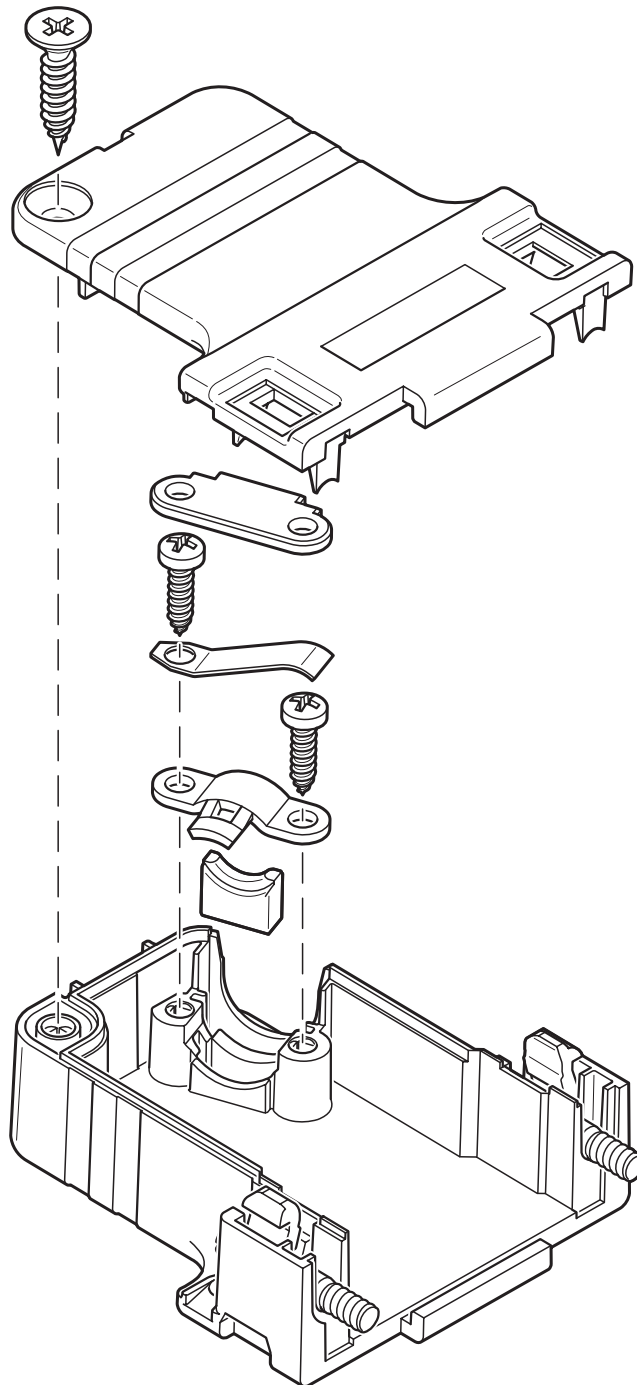
Mounting type	Screw locking mechanism
---------------	-------------------------

1419718

<https://www.phoenixcontact.com/us/products/1419718>

Drawings

Schematic diagram



1419718

<https://www.phoenixcontact.com/us/products/1419718>

Classifications

ECLASS

ECLASS-13.0	27440202
ECLASS-15.0	27440202

ETIM

ETIM 10.0	EC000437
-----------	----------

UNSPSC

UNSPSC 21.0	31261500
-------------	----------

1419718

<https://www.phoenixcontact.com/us/products/1419718>

Environmental product compliance

EU RoHS

Fulfills EU RoHS substance requirements	Yes, No exemptions
---	--------------------

China RoHS

Environment friendly use period (EFUP)	EFUP-E
	No hazardous substances above the limits

EU REACH SVHC

REACH candidate substance (CAS No.)	No substance above 0.1 wt%
-------------------------------------	----------------------------

Phoenix Contact 2026 © - all rights reserved
<https://www.phoenixcontact.com>

Phoenix Contact USA
586 Fulling Mill Road
Middletown, PA 17057, United States
(+717) 944-1300
info@phoenixcon.com