

HC-D07-SP-RBK - Profile gasket



1419622

<https://www.phoenixcontact.com/us/products/1419622>

Please be informed that the data shown in this PDF document is generated from our online catalog. Please find the complete data in the user documentation. Our general terms of use for downloads are valid.

Profile gasket, design: D7, for pin inserts



Commercial data

Item number	1419622
Packing unit	10 pc
Minimum order quantity	10 pc
Sales key	BF66
Product key	AF7APZ
GTIN	4055626180052
Weight per piece (including packing)	0.67 g
Weight per piece (excluding packing)	0.67 g
Customs tariff number	40169300
Country of origin	CN

HC-D07-SP-RBK - Profile gasket



1419622

<https://www.phoenixcontact.com/us/products/1419622>

Technical data

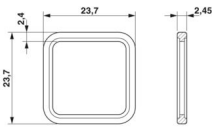
Notes

General	for HC-A03-I-UT-M / HC-A04-I-CT-F / HC-D 7-I-CT-M / HC-D 8-I-CT-M / HC-Q05-I-CT-M
---------	---

Product properties

Product type	Seal
--------------	------

Dimensions

Dimensional drawing	
Width	23.7 mm
Height	2.45 mm
Length	23.7 mm

Material specifications

Seal material	NBR, conductive
---------------	-----------------

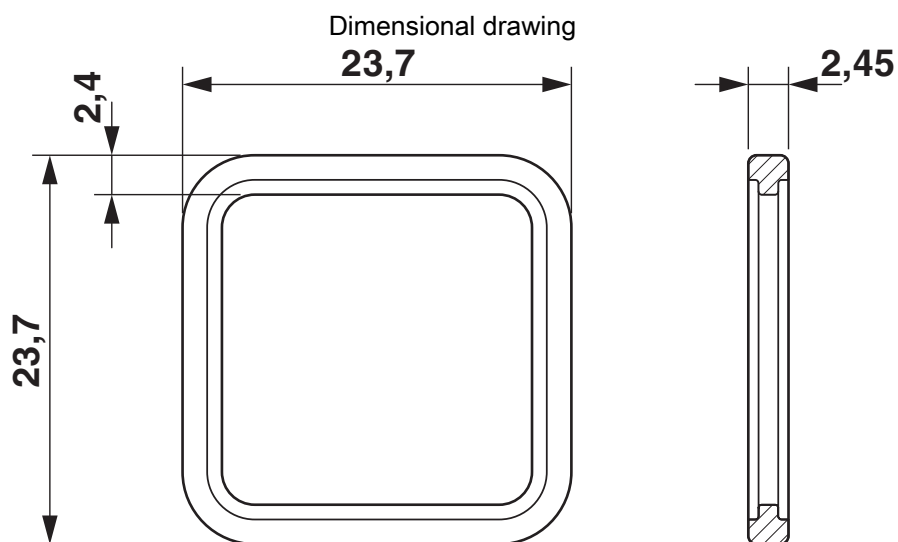
HC-D07-SP-RBK - Profile gasket

1419622

<https://www.phoenixcontact.com/us/products/1419622>



Drawings



Dimensional drawing

HC-D07-SP-RBK - Profile gasket



1419622

<https://www.phoenixcontact.com/us/products/1419622>

Approvals

To download certificates, visit the product detail page: <https://www.phoenixcontact.com/us/products/1419622>



EAC

Approval ID: RU C-DE.AI30.B.01102

HC-D07-SP-RBK - Profile gasket



1419622

<https://www.phoenixcontact.com/us/products/1419622>

Classifications

ECLASS

ECLASS-13.0	23071590
ECLASS-15.0	27440292

ETIM

ETIM 10.0	EC002943
-----------	----------

UNSPSC

UNSPSC 21.0	31401600
-------------	----------

HC-D07-SP-RBK - Profile gasket



1419622

<https://www.phoenixcontact.com/us/products/1419622>

Environmental product compliance

EU RoHS

Fulfills EU RoHS substance requirements	Yes, No exemptions
---	--------------------

China RoHS

Environment friendly use period (EFUP)	EFUP-E
	No hazardous substances above the limits

EU REACH SVHC

REACH candidate substance (CAS No.)	No substance above 0.1 wt%
-------------------------------------	----------------------------

EF3.1 Climate Change

CO2e kg	0.048 kg CO2e
---------	---------------

Phoenix Contact 2026 © - all rights reserved
<https://www.phoenixcontact.com>

Phoenix Contact USA
586 Fulling Mill Road
Middletown, PA 17057, United States
(+717) 944-1300
info@phoenixcon.com