

SAC-5P- 15,0-647/FR SCO BK - Sensor/actuator cable



1419577

<https://www.phoenixcontact.com/us/products/1419577>

Please be informed that the data shown in this PDF document is generated from our online catalog. Please find the complete data in the user documentation. Our general terms of use for downloads are valid.



Sensor/actuator cable, 5-position, TPE, yellow, Plug angled M12 SPEEDCON, on free cable end, cable length: 15 m

Commercial data

Item number	1419577
Packing unit	1 pc
Note	Made to order (non-returnable)
Sales key	B22
Product key	AF1CRA
GTIN	4055626218427
Weight per piece (including packing)	22.22 g
Weight per piece (excluding packing)	22.22 g
Customs tariff number	85444290
Country of origin	US

1419577

<https://www.phoenixcontact.com/us/products/1419577>

Technical data

Product properties

Product type	Sensor/actuator cable
Application	Standard, U.S. cables
Number of positions	5
No. of cable outlets	1
Shielded	no
Coding	A

Insulation characteristics

Overvoltage category	II
Degree of pollution	3

Material specifications

Flammability rating according to UL 94	HB
Seal material	NBR
Material of grip body	TPU, hardly inflammable, self-extinguishing
Contact material	CuSn
Contact surface material	Ni/Au
Contact carrier material	TPU GF
Material for screw connection	Zinc die-cast, nickel-plated
Outer sheath, material	TPE

Electrical properties

Nominal voltage U_N	48 V AC
	60 V DC
Nominal current I_N	4 A

Signaling

Status display	no
Status display present	no

Connection data

Conductor connection

Tightening torque	0.4 Nm (M12 connector)
-------------------	------------------------

Connector

Connection 1

Type	Plug angled M12 SPEEDCON
Locking type	SPEEDCON

Connection 2

Type	free cable end
------	----------------


SAC-5P- 15,0-647/FR SCO BK - Sensor/actuator cable



1419577

<https://www.phoenixcontact.com/us/products/1419577>

Cable/line

Cable length	15 m
TPE yellow 105 °C [647]	
Dimensional drawing	
Cable weight	39 kg/km
UL AWM Style	20327 (105 °C / 300 V)
Number of positions	5
Shielded	no
Cable type	TPE yellow 105 °C [647]
Conductor structure signal line	41x 0.16 mm
AWG signal line	18
Wire diameter incl. insulation	1.8 mm
External cable diameter	6.60 mm ±0.25 mm
Outer sheath, material	TPE
External sheath, color	yellow
Material wire insulation	PVC
Thickness, insulation	0.23 mm
Thickness, outer sheath	0.89 mm
Overall twist	5 wires around filler to the core
Nominal voltage, cable	300 V
Flame resistance	According to FT1
Resistance to oil	OIL RES I according to UL 2256
Other resistance	UV resistant (720 h) (to UL 2256)
Ambient temperature (operation)	-30 °C ... 105 °C (cable, fixed installation)

Environmental and real-life conditions

Ambient conditions

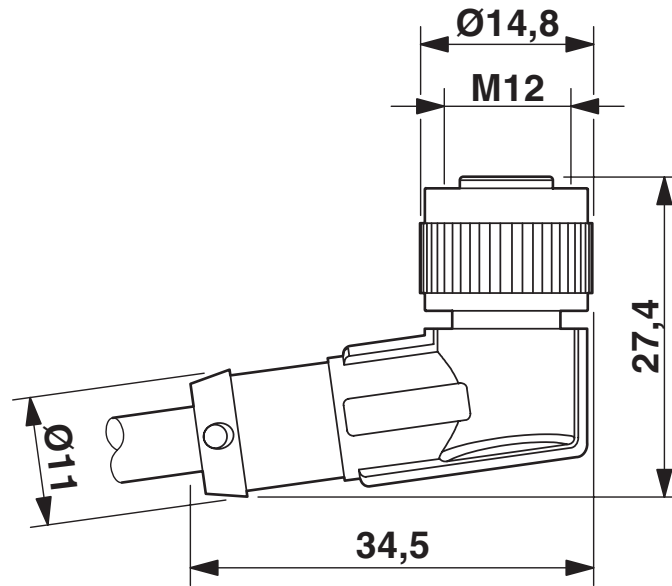
Degree of protection	IP65 IP67
Ambient temperature (operation) (male connector/female connector)	-25 °C ... 90 °C (Plug / socket)

Standards and regulations

Standard designation	M12 connector
Standards/specifications	IEC 61076-2-101

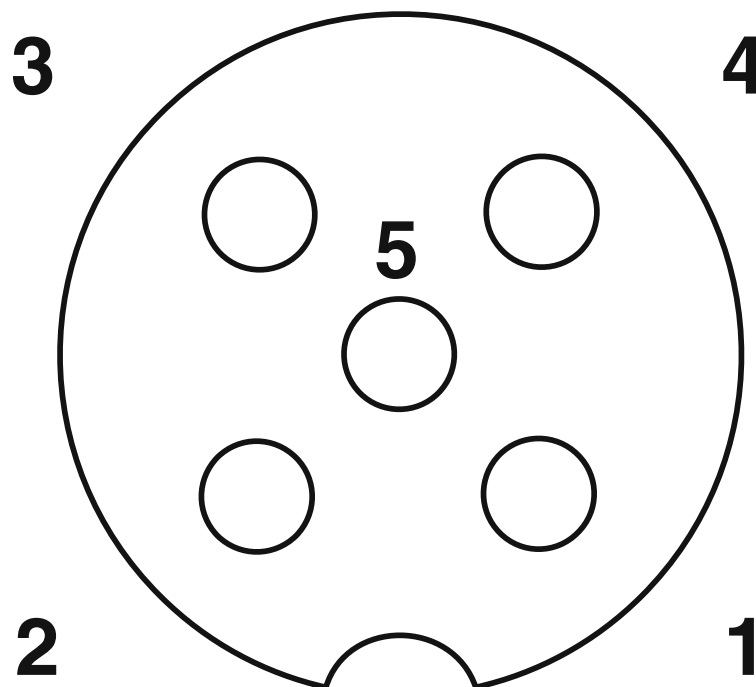
Drawings

Dimensional drawing



M12 x 1 socket, angled

Schematic diagram



Pin assignment M12 socket, 5-pos., A-coded, socket side view

Circuit diagram



Contact assignment of the M12 plug and the M12 socket

1419577

<https://www.phoenixcontact.com/us/products/1419577>

Classifications

ECLASS

ECLASS-13.0	27060311
ECLASS-15.0	27060311

1419577

<https://www.phoenixcontact.com/us/products/1419577>

Environmental product compliance

EU REACH SVHC

REACH candidate substance (CAS No.)	
-------------------------------------	--

	No substance above 0.1 wt%
--	----------------------------

Phoenix Contact 2026 © - all rights reserved

<https://www.phoenixcontact.com>

Phoenix Contact USA
586 Fulling Mill Road
Middletown, PA 17057, United States
(+717) 944-1300
info@phoenixcon.com