

QPD P 5X1,5 5-10 BK - Connector

1419505

<https://www.phoenixcontact.com/us/products/1419505>

Please be informed that the data shown in this PDF document is generated from our online catalog. Please find the complete data in the user documentation. Our general terms of use for downloads are valid.



As shown in the illustration but with a black housing

Connector, connection method: IDC connection, 0.5 mm² ... 1.5 mm², 690 V, 17.5 A, PA, black, with QUICKON nut, coding: Coding profile, external cable diameter: 5 mm ... 10 mm, connection labeling: 1, 2, 3, 4, 5

Your advantages

- Innovative and time saving - QUICKON fast connection for time saving of up to 80 % for on-site connection
- Robust throughout: housing with IP68/IP69K and IK07 protection for a wide range of applications
- Safer connection with mechanical coding to protect against mismatching, and touch-proof protection in accordance with DIN EN 0105
- Easy maintenance – the connectors enable fast device replacement and preassembled cables simplify startup

Commercial data

Item number	1419505
Packing unit	1 pc
Minimum order quantity	1 pc
Sales key	BF50
Product key	AF6BCA
GTIN	4055626173115
Weight per piece (including packing)	48.4 g
Weight per piece (excluding packing)	47 g
Customs tariff number	85366990
Country of origin	PL

QPD P 5X1,5 5-10 BK - Connector



1419505

<https://www.phoenixcontact.com/us/products/1419505>

Technical data

Product properties

Product type	Installation connector
Product family	QPD
Type	QPD 5x1,5
Number of positions	5
Position marking	1, 2, 3, 4, 5
Number of connections	5
Coding	Coding profile

Insulation characteristics

Overvoltage category	III
Degree of pollution	3

Electrical properties

Rated surge voltage (II/2)	8 kV
Rated surge voltage (III/2)	8 kV
Rated surge voltage (III/3)	6 kV
Rated current	17.5 A
Contact resistance	< 3 mΩ
rated voltage (II/2)	1000 V
rated voltage (III/2)	1000 V
Rated voltage (III/3)	690 V
Nominal voltage U_N	690 V
Nominal current I_N	17.5 A

Connection data

Connection technology

Connection method On the field side	IDC connection
Frequency of connections between conductors of the same cross section	max. 10

Conductor connection

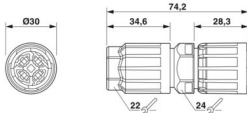
Conductor cross-section flexibel	0.5 mm ² ... 1.5 mm ²
Conductor cross-section solid	0.5 mm ² ... 1.5 mm ²
Connection cross section AWG	20 ... 16
Tightening torque Union nut	8 Nm
Tightening torque Locking nut	5 Nm

Dimensions

QPD P 5X1,5 5-10 BK - Connector

1419505

<https://www.phoenixcontact.com/us/products/1419505>

Dimensional drawing	
Width	30 mm
Height	30 mm
Length	74.2 mm
Diameter	30 mm

Material specifications

Color	black (RAL 9005)
Material Housing	PA
Material Contact	Cu
Material Contact surface	silver-plated
Flammability rating according to UL 94	V0
Material wire insulation	PVC/PE/TPE/rubber

Cable/line

Structure of individual litz in acc. with VDE 0295 / smallest wire diameter	VDE 0295 class 1 to 6/min. 0.15 mm
External cable diameter	5 mm ... 10 mm
Wire diameter including insulation	1.6 mm ... 3 mm
Position marking	1, 2, 3, 4, 5
Material wire insulation	PVC/PE/TPE/rubber

Mechanical properties

Mechanical data

Insertion/withdrawal cycles	max. 50
-----------------------------	---------

Environmental and real-life conditions

Ambient conditions

Degree of protection	IP66 IP68 IP69K Touch-proof when not plugged in (IP2X)
Impact strength	IK07
Ambient temperature (operation)	-40 °C ... 100 °C
Temperature when conductor connected	-5 °C ... 50 °C
Ambient temperature (storage/transport)	-40 °C ... 100 °C

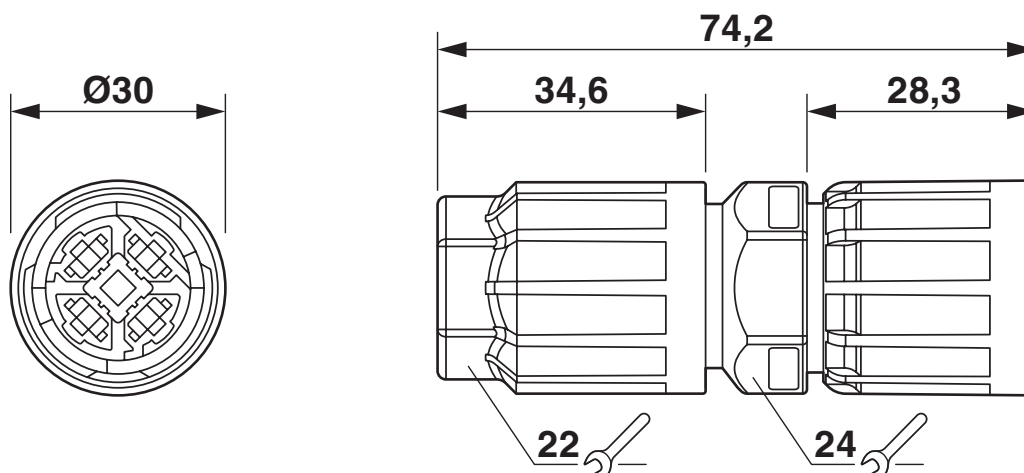
QPD P 5X1,5 5-10 BK - Connector

1419505

<https://www.phoenixcontact.com/us/products/1419505>

Drawings

Dimensional drawing



QPD P 5X1,5 5-10 BK - Connector





1419505


<https://www.phoenixcontact.com/us/products/1419505>

Approvals

To download certificates, visit the product detail page: <https://www.phoenixcontact.com/us/products/1419505>

 UL Listed Approval ID: E468743				
	Nominal voltage U_N	Nominal current I_N	Cross section AWG	Cross section mm^2
keine				
	600 V	8 A	- 16	-

 cUL Listed Approval ID: E468743				
	Nominal voltage U_N	Nominal current I_N	Cross section AWG	Cross section mm^2
keine				
	600 V	8 A	- 16	-

 DNV GL Approval ID: TAE00003J5				
--	--	--	--	--

QPD P 5X1,5 5-10 BK - Connector



1419505

<https://www.phoenixcontact.com/us/products/1419505>

Classifications

ECLASS

ECLASS-13.0	27440605
ECLASS-15.0	27440605

ETIM

ETIM 10.0	EC002560
-----------	----------

UNSPSC

UNSPSC 21.0	39121400
-------------	----------

QPD P 5X1,5 5-10 BK - Connector



1419505

<https://www.phoenixcontact.com/us/products/1419505>

Environmental product compliance

EU RoHS

Fulfills EU RoHS substance requirements	Yes, No exemptions
---	--------------------

China RoHS

Environment friendly use period (EFUP)	EFUP-E
	No hazardous substances above the limits

EU REACH SVHC

REACH candidate substance (CAS No.)	No substance above 0.1 wt%
-------------------------------------	----------------------------

Phoenix Contact 2026 © - all rights reserved
<https://www.phoenixcontact.com>

Phoenix Contact USA
586 Fulling Mill Road
Middletown, PA 17057, United States
(+717) 944-1300
info@phoenixcon.com