

# QPD W 5X1,5 M25 0,35 BK B-S - Panel feed-through



1419427

<https://www.phoenixcontact.com/us/products/1419427>

Please be informed that the data shown in this PDF document is generated from our online catalog. Please find the complete data in the user documentation. Our general terms of use for downloads are valid.



Panel feed-through, connection method: Single wires (Welded-on), M25, 0.5 mm<sup>2</sup> ... 1.5 mm<sup>2</sup>, 690 V, 17.5 A, PA, black, without QUICKON nut, coding: Coding profile, 1.5 mm<sup>2</sup>, wires cut flat at the end, cable length: 0.35 m, pin assignment: 1 = RD, 2 = BK, 3 = WH, 4 = BN, 5 = VT

## Commercial data

Item number	1419427
Packing unit	1 pc
Minimum order quantity	1 pc
Sales key	BF50
Product key	AF6ACA
GTIN	4055626173047
Weight per piece (including packing)	64.7 g
Weight per piece (excluding packing)	54.1 g
Customs tariff number	85444290
Country of origin	PL

# QPD W 5X1,5 M25 0,35 BK B-S - Panel feed-through



1419427

<https://www.phoenixcontact.com/us/products/1419427>

## Technical data

### Product properties

Product type	Panel feed-through
Product family	QPD
Type	QPD 5x1,5
Number of positions	5
Position marking	1, 2, 3, 4, 5
Number of connections	10
Number of connections per position	1
Coding	Coding profile

### Insulation characteristics

Overvoltage category	III
Degree of pollution	3

### Connection data

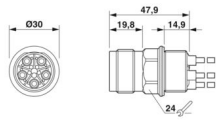
#### Connection technology

Connection method On the device side	Single wires (Welded-on)
Frequency of connections between conductors of the same cross section	max. 10

#### Conductor connection

Conductor cross-section flexibel	0.5 mm <sup>2</sup> ... 1.5 mm <sup>2</sup>
Conductor cross-section solid	0.5 mm <sup>2</sup> ... 1.5 mm <sup>2</sup>
Connection cross section AWG	20 ... 16
Tightening torque Union nut	8 Nm
Tightening torque Locking nut	5 Nm

### Dimensions

Dimensional drawing	
Width	30 mm
Height	30 mm
Length	47.9 mm
Diameter	30 mm

### Electrical properties

Rated surge voltage (II/2)	8 kV
Rated surge voltage (III/2)	8 kV
Rated surge voltage (III/3)	6 kV
Rated current	17.5 A

# QPD W 5X1,5 M25 0,35 BK B-S - Panel feed-through



1419427

<https://www.phoenixcontact.com/us/products/1419427>

Contact resistance	< 3 mΩ
rated voltage (II/2)	1000 V
rated voltage (III/2)	1000 V
Rated voltage (III/3)	690 V
Nominal voltage $U_N$	690 V
Nominal current $I_N$	17.5 A

## Mechanical properties

### Mechanical data

Insertion/withdrawal cycles	max. 50
-----------------------------	---------

## Material specifications

Color	black (RAL 9005)
Material Housing	PA
Material Contact	Cu
Material Contact surface	silver-plated
Flammability rating according to UL 94	V0
Material wire insulation	PVC/PE/TPE/rubber

## Cable/line

Cable length	0.35 m
Structure of individual litz in acc. with VDE 0295 / smallest wire diameter	VDE 0295 class 1 to 6/min. 0.15 mm
Wire diameter including insulation	1.6 mm ... 3 mm
Position marking	1, 2, 3, 4, 5
Cable cross section	1.5 mm <sup>2</sup>
Material wire insulation	PVC / PE

## Mounting

Mounting type	Front mounting M25
---------------	--------------------

## Environmental and real-life conditions

### Ambient conditions

Degree of protection	IP66
	IP68 (2 m / 24 h)
	IP69K
	Touch-proof when not plugged in (IP2X)
Impact strength	IK07
Ambient temperature (operation)	-40 °C ... 100 °C
Temperature when conductor connected	-5 °C ... 50 °C
Ambient temperature (storage/transport)	-40 °C ... 100 °C

# QPD W 5X1,5 M25 0,35 BK B-S - Panel feed-through

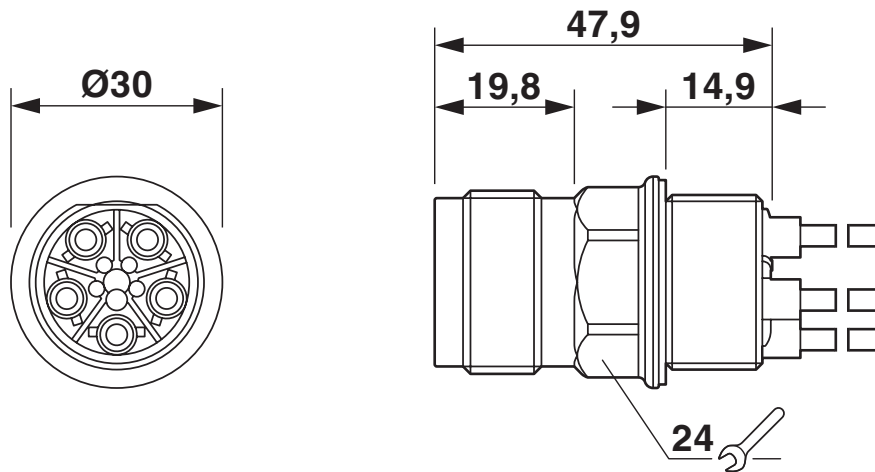


1419427

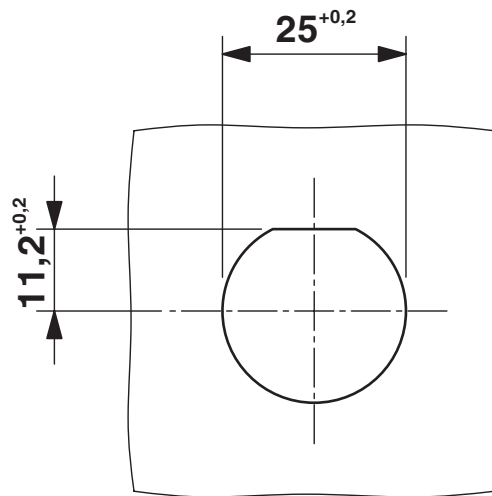
<https://www.phoenixcontact.com/us/products/1419427>

## Drawings

Dimensional drawing



Dimensional drawing



Panel cutout

# QPD W 5X1,5 M25 0,35 BK B-S - Panel feed-through





1419427


<https://www.phoenixcontact.com/us/products/1419427>

## Approvals

To download certificates, visit the product detail page: <https://www.phoenixcontact.com/us/products/1419427>

 <b>UL Listed</b> Approval ID: E468743				
	Nominal voltage $U_N$	Nominal current $I_N$	Cross section AWG	Cross section $\text{mm}^2$
keine				
	600 V	8 A	- 16	-

 <b>cUL Listed</b> Approval ID: E468743				
	Nominal voltage $U_N$	Nominal current $I_N$	Cross section AWG	Cross section $\text{mm}^2$
keine				
	600 V	8 A	- 16	-

 <b>DNV GL</b> Approval ID: TAE00003J5				
--	--	--	--	--

1419427

<https://www.phoenixcontact.com/us/products/1419427>

## Classifications

### ECLASS

ECLASS-13.0	27440602
ECLASS-15.0	27440602

### ETIM

ETIM 10.0	EC002566
-----------	----------

### UNSPSC

UNSPSC 21.0	39121500
-------------	----------

# QPD W 5X1,5 M25 0,35 BK B-S - Panel feed-through



1419427

<https://www.phoenixcontact.com/us/products/1419427>

## Environmental product compliance

### EU RoHS

Fulfills EU RoHS substance requirements	Yes, No exemptions
---	--------------------

### China RoHS

Environment friendly use period (EFUP)	EFUP-E
	No hazardous substances above the limits

### EU REACH SVHC

REACH candidate substance (CAS No.)	No substance above 0.1 wt%
-------------------------------------	----------------------------

Phoenix Contact 2026 © - all rights reserved  
<https://www.phoenixcontact.com>

Phoenix Contact USA  
586 Fulling Mill Road  
Middletown, PA 17057, United States  
(+717) 944-1300  
[info@phoenixcon.com](mailto:info@phoenixcon.com)